

CONTENTS

CHAP.1	INTRODUCTION	3
CHAP.2	INSTALLATION	3
2.1	HANDLING AND UNPACKING	3
2.2	ELECTRICAL CONNECTION.....	4
2.3	WATER CONNECTION	4
2.4	CONNECTION TO THE DRAIN LINE	5
CHAP.3	SETTINGS AND ADJUSTMENTS	5
3.1	OPERATIVE TEMPERATURE ADJUSTMENT	5
3.2	DETERGENT QUANTITY ADJUSTMENT.....	6
3.3	USER MESSAGES	7
3.4	ERROR MESSAGES	7
CHAP.4	SAFETY RECOMMENDATIONS	8
4.1	RESIDUAL RISKS AND WARNINGS	8
4.2	NORMAL SERVICE CONDITIONS	8
CHAP.5	MACHINE USE	9
5.1	CONTROLS DESCRIPTION.....	9
5.2	USE INSTRUCTIONS.....	10
5.3	ARRANGING THE KITCHENWARE.....	11
5.4	FINAL OPERATIONS	12
CHAP.6	MAINTENANCE	13
6.1	GENERAL RULES.....	13
6.2	PERIODIC MAINTENANCE (to be done at least every 20 days)	13
CHAP. 7	RECYCLING AND DISPOSAL	14
7.1	DISPOSAL THE MACHINE	14
7.2	CORRECT DISPOSAL OF THIS PRODUCT	14

CHAP.1 INTRODUCTION

The warnings contained in this manual provide important information for safely installing, using and servicing this machine.

The operator is required to read this manual before starting any operation involving handling, installation, use, maintenance or disassembly of the machine. This manual must be kept intact and in a safe place for frequent consultation.

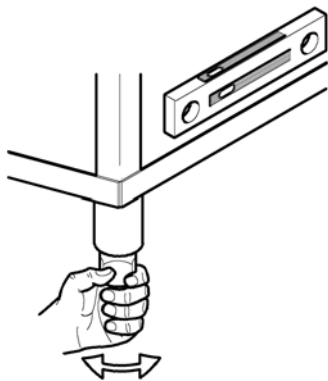
CHAP.2 INSTALLATION

2.1 HANDLING AND UNPACKING



- Move the machine very carefully using a forklift.
- Make sure the equipment is not damaged, if it is immediately inform the dealer and shipper. If in doubt do not use the machine until it has been checked by professionally trained personnel.
- Move the machine to the site where it will be used and remove the packing.

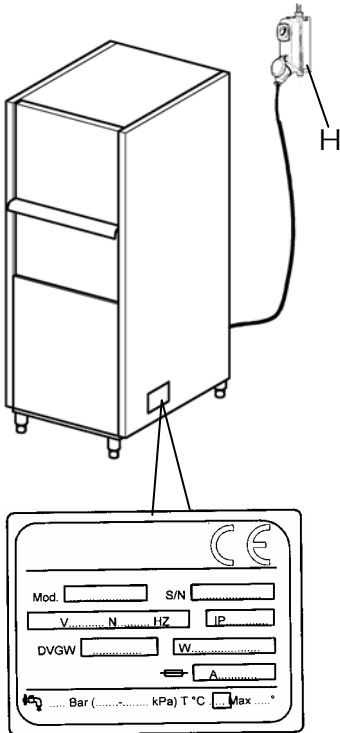
Packing materials (plastic bags, polystyrene, nails) can be dangerous and must be kept out of the reach of children.



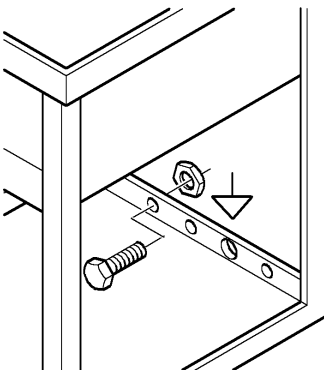
- The installation must be carried out according to the manufacturer's instructions and by professionally trained personnel.
- Only a fixed connection is suitable for this equipment.
- Position the machine and level it perfectly using the feet.
- The flooring must be suitable for the overall weight of the machine.
- Follow the indications on the installation drawing and set-up the electrical, water and drain systems in the wash area.



2.2 ELECTRICAL CONNECTION



1. Connection to the power supply must be made with a main switch (H) it must be omnipolar and interrupt all contacts including neutral. There must be a distance of at least 3 mm between open contacts, and it must have a thermal magnetic safety switch or fuses which are able to withstand the maximum power indicated on the plate.
2. Make sure that the power supply corresponds to that on the technical features plate on the right side of the machine.
3. Use an effective earthing system in compliance with local laws to protect the safety of the operators and not damage the machine.
4. Do not use adapters, multiple sockets or extension cords.
5. The equipment must be included in an equipotential system, and connected using a screw marked with the symbol. ⚡ The equipotential wire must be 10 mm².



If the power supply cable (provided with the equipment) needs to be replaced use another H07RN-F type with the same dimensions.

For additional information see the wiring drawing.

2.3 WATER CONNECTION

Set-up the site according the attached plumbing drawing.

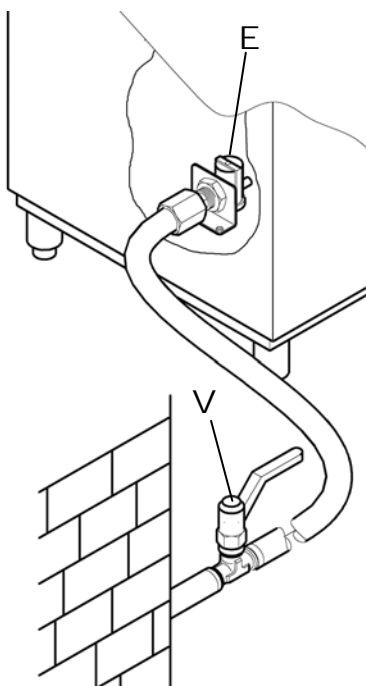
Before connecting the equipment make sure that a gate valve has been placed between the water supply and the equipment so that the water can be turned off if required or for repair work.

Use a hose to connect the solenoid valve (E) to the gate valve (V) and make sure that the delivery is not less than 20l/min.

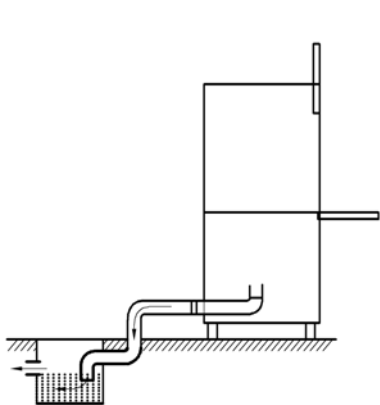
Check that the temperature and water pressure correspond to what is shown on the technical specifications plate.

If the water is harder than what is listed in the chart, it is advisable to install a decalcifier upline from the solenoid valve.

If there are high concentrations of very conductive minerals in the water, it is advisable to install a demineralization system calibrated to the hardness shown in the following chart.



	Specification		From	To
Hardness	French degrees	f	5	10
	German degrees	°dH	4	7,5
	English degrees	°e	5	9,5
	Parts per million	ppm	70	140
Residual Minerals	Maximum	mg/l	300/400	



2.4 CONNECTION TO THE DRAIN LINE

The tank empties by gravity, so the drain needs to be situated below the base of the machine.

The drain pipe needs to be connected to a drain- trap built into the floor.

The drain dimensions are shown in the installation drawing.

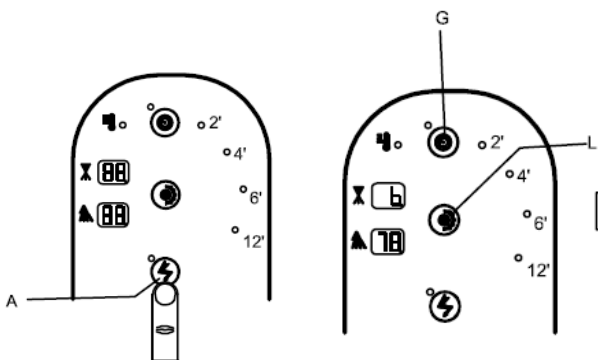
CHAP.3 SETTINGS AND ADJUSTMENTS

3.1 OPERATIVE TEMPERATURE ADJUSTMENT

It is possible to adjust the boiler water heating temperature (rinse water) and/or the washing tank temperature.

Set boiler rinse water:

Switch on the machine, hold line push/button on/off "A" pressed for a few seconds until wording "b" " 78 °C" is displayed. Press G and L push/buttons to increase or decrease the setting.



Set washing tank temperature:

Press A push/button several times until wording " t " "55" is displayed; then adjust it by means of G and L push-buttons.



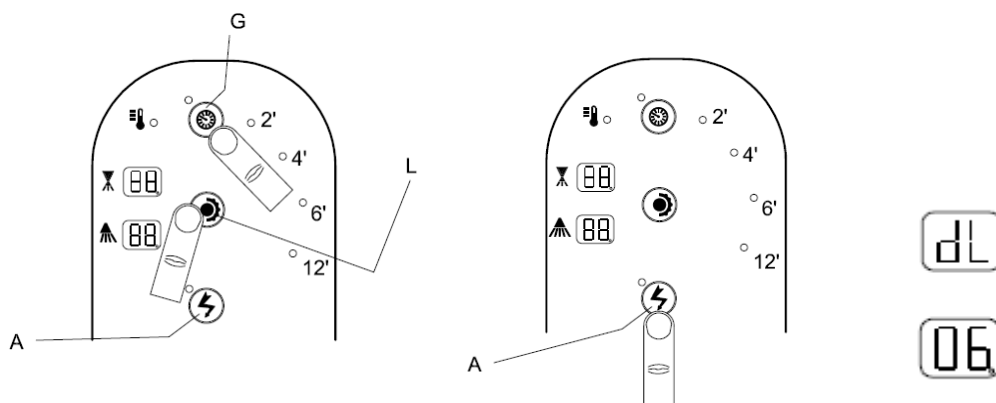
Once the temperatures have been set, just hold push/button A pressed to return to the previous condition.

3.2 DETERGENT QUANTITY ADJUSTMENT

It is possible to set the detergent quantity by changing the detergents dispensers enabling time.

Detergent

Enter the programming menu as follows: open one of the doors, keep contemporarily G and L push-buttons pressed for a few seconds until wording "tH" is displayed. Then press push-button A until "dL" appears in the first dial.



In the second dial the display shows the set value in seconds; it is possible to increase or decrease the switching time through L and G push-buttons.

Note: The point indicates ½ second.

Rinse aid

Once the detergent has been adjusted press push-button "A" once again to pass to the following item and to display "bL" rinse aid. Press push-buttons "L" and "G" to increase or decrease the switching time.



3.3 USER MESSAGES

Display message	Function description
do	One of the machine doors is open.
b	Rinse water temperatures.
t	Washing water temperature.

3.4 ERROR MESSAGES

The machine is able to detect different malfunction conditions.
Here is a short description of what to do if the display shows ERR....

Display message	Alarm	Detected fault description
Er 02	No Drain	Check drain tubes and make sure they are not obstructed. For the machines equipped with "overflow device", make sure it is not in place. Should the problem still occur it is likely that the drain electric pump has failed: contact a service centre.
"Er. 03"	Thermostop timeout	The boiler temperature did not reach the set point within the extension of the operating cycle washing phase. The boiler heating is disabled. Contact the authorised service centre.
"Er. 04"	Tank loading timeout	Water level inside the washing tank not reached. Turn the machine off and on, make sure that the overflow pipes are fitted correctly and that water supply is open, otherwise contact the authorised service centre.
"Er. 05 Er 06"	Open tank sensor	Broken tank sensor. The tank heating is disabled. Contact the authorised service centre.
"Er. 07 Er .08"	Open boiler sensor	Broken boiler sensor. The boiler heating is disabled. Contact the authorised service centre.
"er ht	Too high tank temperature	B4 > MaxTankTemp. The tank heating is disabled.
"Er Hb"	Too high boiler temperature	B2 > MaxBoilerTemp. The boiler heating is disabled.
"Er sf"	Electromechanic safety	It is likely that a safety thermostat has been triggered. Turn the machine off and on; should the problem still occur, contact an authorised service centre.
"Er 09"	Boiler loading timeout	Problem with boiler water loading, make sure the water supply is correctly open and that flow rate is suitable, according to machine nameplate specifications. Turn the machine off and on; should the problem still occur, contact the service centre.
"Er 01"	Failed rinse cycle	The rinse cycle has not been correctly carried out, check that rinse spraying nozzles are free from any obstruction. Should the problem still occur, contact the service centre.

"Er SL"	Level safety	Problem with water drain. Drain electric pump has not drained correctly. Check drain tubes; should the problem still occur, contact the service centre.
"Er rb"	Attempt to reset error 09	The machine displays this message when attempting to solve boiler loading problem.
"Er 22"	Tank thermostat timeout	Problem with boiler water heating. Contact a service centre.
"no ns"	Salt missing (warning)	(machines with water softener) Add salt in the relevant reservoir inside the washing tank
"no dn"	Detergent missing (warning)	
"no bn"	Rinse aid missing (warning)	
"no na"	Softener service (warning)	(machines with external water softener) Carry out resin reconditioning.
"no 13"	Break tank empty (warning)	If this message is displayed quite often, make sure the water flow rate is correct according to machine specifications.

Warning: By turning the machine off and on again, the warning resets and thus, if the problem has not been solved, it will be displayed again.

CHAP.4 SAFETY RECOMMENDATIONS



4.1 RESIDUAL RISKS AND WARNINGS

- Never open the door quickly if the cycle has not finished.
- Do not put bare hands into the wash solution.
- Never remove the machine panels if the power upline has not been turned off.
- The professionally trained personnel who install the machine and connect the electricity, will explain to the user how to operate the machine and which safety measures to use.
- The installer will provide practical demonstrations and leave written instructions which are provided with the machine.
- This machine is only to be used for the purpose for which it was designed. Any other use is considered improper and dangerous.
- The machine is not to be used by untrained personnel.
- Never use the machine if any of the protections (microswitches, panels or other) provided by the manufacturer are missing.
- Do not use the machine to wash objects not compatible with those indicated by the manufacturer.
- All repair work must be done by the manufacturer or an authorized service center using original spare parts.
- Failure to observe this may affect the safety of the machine.
- The power supply should be turned off when the machine is not being used.

4.2 NORMAL SERVICE CONDITIONS

Ambient Temperature : 40°Cmax /4°Cmin (average 30°C)

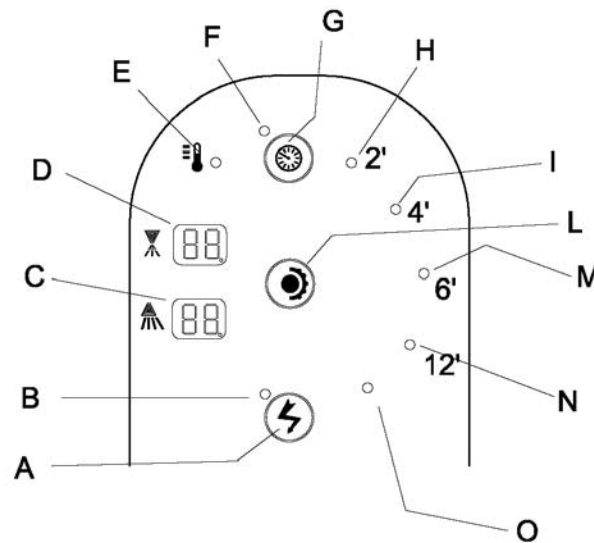
Altitude : until 2000 metrical

Relative humidity : max 30% at 40°C / max 90% at 20°C

Transport and Storage : between 10°C and 55°C with peak until 70°C (max 24 hrs)

CHAP.5 MACHINE USE

5.1 CONTROLS DESCRIPTION



Push-button / warning	Function
A	Machine on / off push-button.
b	Line warning light on.
C	Washing temperature display.
D	Rinse temperature display.
E	Machine ready for use warning light.
F	Active cycle warning light.
G	Cycle start push-button.
H	2-minute programme warning light.
I	4-minute programme warning light.
L	Washing programme selection push-button.
M	6-minute programme warning light.
N	12-minute programme warning light.
O	No detergent warning light

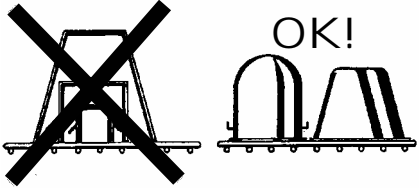
5.2 USE INSTRUCTIONS

Please refer to fig. at page 9.

- 1) Make sure that the overflow pipes and the tank filters are fitted; then check the detergent levels and water supply to be open.
 - 2) Press push-button A, B warning light turns on, and the machine loads and heats up the water.
 - 3) Once the machine is loaded and ready for use, warning light A turns on in green.
 - 4) Select the washing programme by pressing push-button L.
 - 5) Insert the basket loaded with objects to be washed (**see chap. 5.3 baskets load**).
 - 6) Close the door and start the cycle by pressing push-button G
- WARNING: It is possible to stop the cycle at any time by means of push-button G or even by switching off the machine with push-button A.**
- 7) You will see that warning light F (which is near the start push-button) turns on while the warning light of the selected programme flashes.
 - 8) Once the cycle has finished, warning light F turns off while the selected programme warning light will be steady on.
 - 9) At the end of duty switch off the machine by pressing push-button 1 and follow indications under chapter “ **5.4 final operations**”.

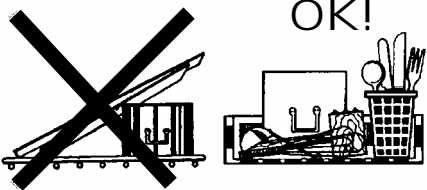
5.3 ARRANGING THE KITCHENWARE

- Pour the proper amount of detergent in the wash tank according to the producer's instructions.



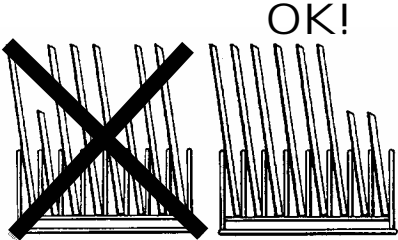
- The detergent must be the industrial type or possibly foamless.

- Never put your bare hands in the wash water; place the cups and the glasses upside down in the baskets. Place the dishes in the proper basket with support pins and their inner surface must be facing up.



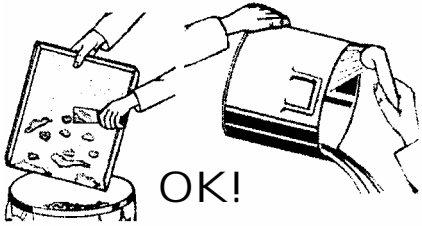
- Place the silverware and the coffee spoons with the handles facing down.

- Never place silverware and stainless steel cutlery in the same basket. This could cause the silver to burnish and the stainless steel to corrode.



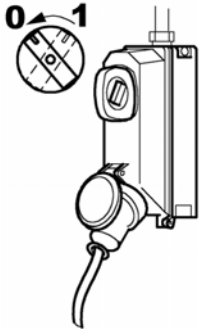
- Use the proper baskets specifically designed for the different type of glassware (dishes, glasses, cups, silverware etc.). To save on detergent and electricity only wash when the baskets are full, but do not overload them. Avoid stacking glassware.

- **WE RECOMMEND TO PRE-CLEAN** the glassware in order to minimize maintenance. The quality of final wash results will be greatly improved by first removing food particles, lemon peels, toothpicks, olive pits, etc. which could partially clog the pump filter and impair washing efficiency.

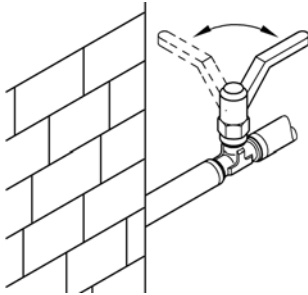


We recommend washing the glassware before food particles dry on its surface. It is good practice, when dried food waste is involved, to first soak the glassware and silverware before introducing them into the machine.

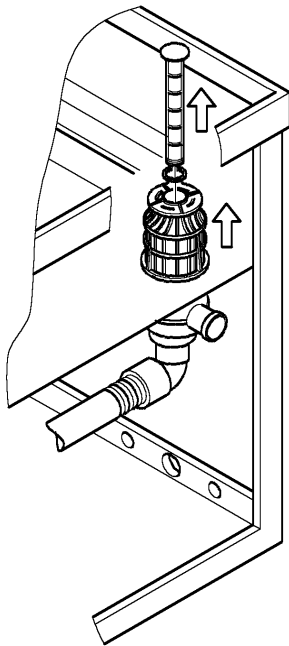
5.4 FINAL OPERATIONS



- Remove tension from the machine.
- Open the door and remove the rack with clean dishes.
- Drain the water from the tank by lifting the overflow-pipe. For the model with drain pump please follow the operations described in the «Use instructions» paragraph.



- Disconnect the main switch of the equipment.
- Close the «rolling shutter valve» for the hydraulic connection.
- Remove the filters clean them under a water jet with a nylon brush.



- Pay attention not to let any dirtiness rests on the bottom of the drain pump filter inside the tank. Clean the tank with a moderate water jet. Wash outside surfaces when are cold with non-abrasive products which are especially studied for steel maintenance.

REMARK: Do not wash the equipment with direct jet or at another pressure because eventual infiltrations to the electric components may harm the regular working of the equipment or of the single safety systems, and penalty for this would be the loss of guarantee.

CHAP.6 MAINTENANCE

6.1 GENERAL RULES

The machine are designed to reduce maintenance requirements. It is necessary to observe the following rules to make the machine last long, and work without problems.

In any case, it is necessary to observe the following rules to make the machine stay in perfect working order:

- keep the machine clean and in good condition
- avoid making temporary or urgent repairs frequently

It is very important to observe the maintenance directions; check all the different parts of the machine periodically, so that no anomaly can occur, thus anticipating the time and equipment needed for any maintenance work.

Before cleaning turn off the power.

6.2 PERIODIC MAINTENANCE (to be done at least every 20 days)

To make operations following easier, the rack-holder frame can be removed from its seat.

- Remove the upper and lower rinse arms, by unscrewing the fastening.
 - Unscrew and clean all the sprayers and put them back in their place.
 - Remove the upper and lower wash-arms by unscrewing the rinse pin , clean and rinse them.
 - Remove the wash pump filter, clean it and rinse it.
 - Thoroughly clean the wash tank.
 - Leave the appliance lid open for the whole resting period.
 - Lime deposits and scale will build up on the inner surfaces of the boiler, tank and pipelines due to calcium and magnesium salts present in the water. These scales and deposits can prejudice proper appliance operation.
 - The appliance must be periodically descaled and we recommend that this must be done by an expert.
-

- Grease steel surfaces with vaseline oil whenever the appliance will be inactive for a long period of time.
- Have an expert drain all the water out from the boiler and the wash pump to avoid the danger of ice formation.



- **If the machine does not operate properly or in case of trouble, call a service center authorized by the manufacturer of the appliance or by his Dealer.**

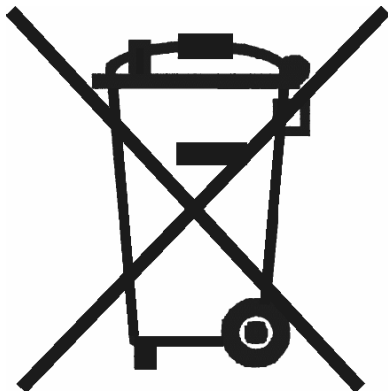
CHAP. 7 RECYCLING AND DISPOSAL

7.1 DISPOSAL THE MACHINE

Our machines are not made of materials that require particular disposal procedures.

7.2 CORRECT DISPOSAL OF THIS PRODUCT

(Waste Electrical & Electronic Equipment)



This marking shown on the product or its literature, indicates that it should not be disposed with other household wastes at the end of its working life. To prevent possible harm to the environment or human health from uncontrolled waste disposal please separate this from other types of wastes and recycle it responsibly to promote the sustainable reuse of material resources.

Household user should contact either the retailer where they purchased this product or their local government office, for where and how they can take this item for environmentally safe recycling

Business users should contact their supplier and check the terms and conditions of the purchase contract. This product should not be mixed with other commercial wastes for disposal.

INHALT

KAP.1	VORWORT	3
KAP.2	INSTALLATION	3
2.1	BEFÖRDERUNG UND AUSPACKEN	3
2.2	STROMANSCHLUSS	4
2.3	WASSERANSCHLUSS.....	4
2.4	ANSCHLUSS AN DIE ABLAUFLEITUNG	5
KAP.3	EINSTELLUNGEN UND REGULIERUNGEN	5
3.1	REGULIERUNG DER BETRIEBSTEMPERATUR.....	5
3.2	EINSTELLUNG DER SPÜLMITTELMENGE	6
3.3	BENUTZERMELDUNGEN.....	7
3.4	FEHLERMELDUNGEN.....	7
KAP.4	SICHERHEITSHINWEISE	8
4.1	EVENTUELLE GEFAHREN UND WARNHINWEISE.....	8
4.2	NORMAL WARTUNG BEDINGUNGEN	8
KAP.5	MASCHINENEINSATZ	9
5.1	BESCHREIBUNG DER STEUERUNGEN	9
5.2	EINSATZWEISE	10
5.3	ANORDNUNG DES GESCHIRRS.....	11
5.4	TÄTIGKEITEN BEI ENDE DES SPÜLGANGES	12
KAP.6	WARTUNG	13
6.1	ALLGEMEINE VORSCHRIFTEN.....	13
6.2	REGELMÄSSIGE WARTUNG (mindestens alle 20 Tage)	13
KAP.7	ABBAU	14
7.1	ABBAU DER MASCHINE	14
7.2	KORRELTE ENTSORGUNG PRODUKTS	14

KAP.1 VORWORT

Die in diesem Handbuch enthaltenen Vorschriften geben wichtige Hinweise zur Sicherheit der verschiedenen Phasen: Installation, Bedienung und Wartung.

Das Bedienungspersonal hat die obligatorische Pflicht, das vorliegende Handbuch zu konsultieren, bevor die Maschine bewegt, installiert, benutzt, gewartet oder außer Betrieb gesetzt wird. Das Handbuch muss deshalb in vollständigem Zustand aufbewahrt werden und eventuell sind Kopien für die laufende Benützung bereitzuhalten.

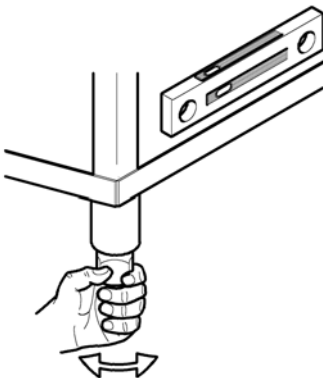
KAP.2 INSTALLATION

2.1 BEFÖRDERUNG UND AUSPACKEN



- Die Beförderung muss mit äußerster Sorgfalt mittels Hubstapler erfolgen.
- Zustand der Maschine kontrollieren; im Falle sichtbarer Beschädigungen umgehend den Verkäufer und den Spediteur, der den Transport durchgeführt hat, informieren. Im Zweifelsfall die Maschine nicht benützen, bevor sie nicht von Fachpersonal überprüft wurde.
- Die Maschine an die zur Installation vorgesehene Stelle transportieren und von der Verpackung befreien.

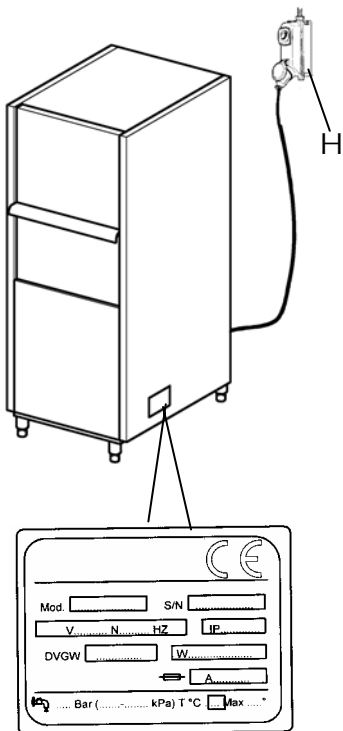
Die Verpackungselemente (Plastiksäcke, Polystyrol, Nägel, etc.) dürfen nicht für Kinder erreichbar sein, da sie eine potentielle Gefahr darstellen.




- Die Installation muss nach Anleitung des Herstellers von qualifiziertem Fachpersonal durchgeführt werden.
- Dieser Apparat ist nur für einen festen Anschluss geeignet..
- Die Maschine in die richtige Position bringen und perfekt ausbalancieren, indem man die entsprechenden Füßchen reguliert.
- Der vorgesehene Bodenbelag muss dem Gesamtgewicht der Maschine entsprechend beschaffen sein.
- Unter Einhaltung der Hinweise auf dem Installationsplan sind die Strom- und Wasserversorgung, sowie die Abflussanlage vorzubereiten.



2.2 STROMANSCHLUSS



1. Der Netzanschluß muss mit einem Hauptschalter (H) für alle Pole versehen sein, so dass er alle Kontakte – einschließlich der Erdleitung - unterbricht; Mindestabstand von 3 mm zwischen offenen Kontakten; mit thermomagnetischer Auslösung oder verbunden mit Schmelzsicherungen, die in der Lage sind, die angegebene Höchststromstärke auszuhalten.
2. Sicherstellen, dass die Spannung und Frequenz des Stromnetzes den Angaben des Schildes auf der rechten Seite der Maschine entsprechen.
3. Eine fachgerechte Erdung, wie sie von den geltenden Unfallverhütungsvorschriften vorgegeben wird, stellt eine Garantie für die Sicherheit des Bedienungspersonals und der Maschine dar.
4. Die Verwendung von Zwischensteckern, Mehrfachsteckern und Verlängerungskabeln ist ausdrücklich untersagt.
5. Außerdem muss das Gerät in ein Äquipotentialsystem eingebaut werden, dessen Verbindung durch eine mit dem Symbol gekennzeichnete Schraube ausgeführt ist. 
Der Äquipotentialleiter muss einen Querschnitt von 10 mm² haben.



Das mitgelieferte Versorgungskabel darf nur durch eines mit gleichem Querschnitt vom Typ H07RNF ersetzt werden.

Für weitere Informationen das beiliegende Schaltbild beachten.

2.3 WASSERANSCHLUSS

Den Aufstellungsort gemäß beliegendem hydraulischem Schema vorbereiten.

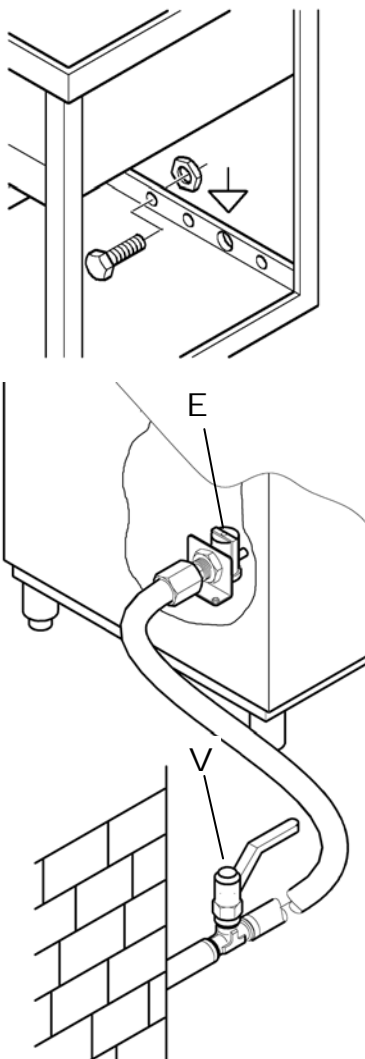
Bevor das Gerät angeschlossen wird, sicherstellen, dass zwischen Wasserversorgungsnetz und Gerät ein Absperrschieber montiert wurde, das es ermöglicht, im Notfall oder bei Reparaturen die Wasserzufuhr zu unterbrechen.

Mit dem mitgelieferten Schlauch das Elektroventil (**E**) mit dem Absperrschieber (**V**) verbinden; sich vergewissern, dass der Wasserzufluss nicht weniger als 20 Lt/Min. beträgt.

Sich vergewissern, dass Wassertemperatur und Zufuhrdruck den auf dem Leistungsschild angeführten Daten entsprechen.

Sollte die Wasserhärte höher als die auf der Richttabelle angegebene sein, empfehlen wir den Einbau eines Entkalkers oberhalb des Elektroventils der Wasserzufuhr der Maschine.

Im Falle sehr hoher Mineralrückstandskonzentration im Wasser schlagen wir den Einbau einer



Entmineralisierungsanlage vor, um die auf der Tabelle vorgeschriebene Härte zu erreichen.

	Eigenschaften		von	bis
Härte	Französische Grade	f	5	10
	Deutsche Grade	°dH	4	7,5
	Englische Grade	°e	5	9,5
	Anteile pro Million	ppm	70	140
Mineralrückstände	Maximal	mg/l	300/400	



2.4 ANSCHLUSS AN DIE ABLAUFLEITUNG

Da die Wanne durch die Wirkung der Schwerkraft geleert wird, muss sich der Abfluss unterhalb der Maschine befinden.

Das Abflussendstück muss mittels Schlauch an ein Senkloch oder ein Saugheberbecken im Fußboden angeschlossen werden.

Die Ausmaße des Maschinenablaufs sind auf dem Installationsplan angeführt.

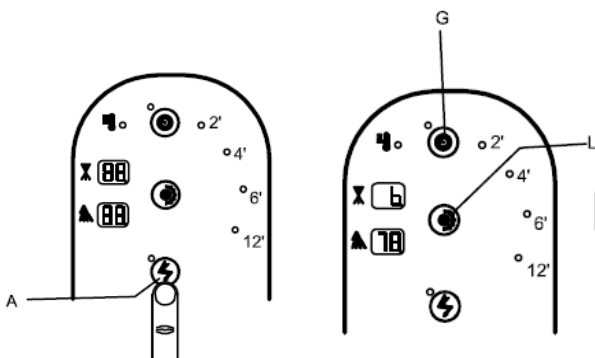
KAP.3 EINSTELLUNGEN UND REGULIERUNGEN

3.1 REGULIERUNG DER BETRIEBSTEMPERATUR

Die Temperaturen der Wassererwärmung im Boiler (Nachspülwasser) und/oder die Temperatur der Spülbeckens können reguliert werden.

Einstellung der Nachspülwassertemperatur am Boiler:

Die Spülmaschine einschalten, dann die Linien-Taste on /off "A" einige Sekunden lang bzw. so lange gedrückt halten, bis "b" "78 °C" angezeigt wird. Den Einstellwert durch Betätigen der Tasten G und L anheben oder herabsetzen.



Einstellung der Temperatur im Spülbecken:

Die Taste A drücken, so dass die Angabe "t" "55" angezeigt wird, dann die Einstellung über die Tasten G und L vornehmen.



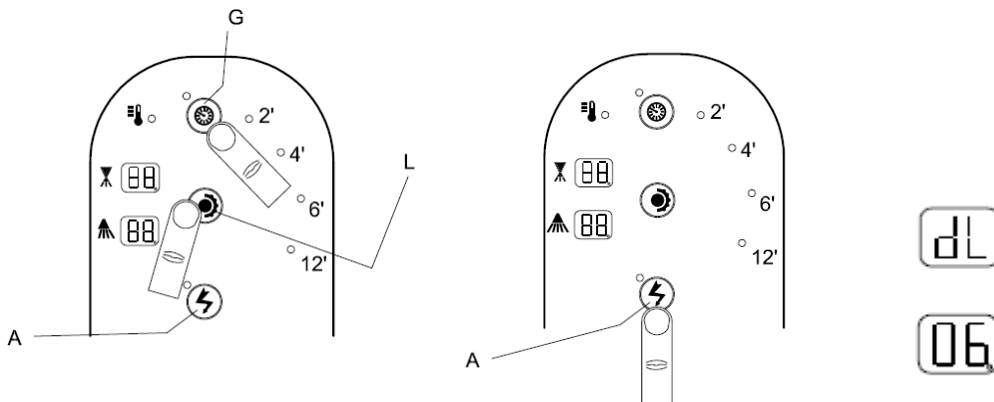
Nach erfolgter Einstellung der Temperaturen braucht man nur die Taste A zu drücken, um wieder in die vorausgehende Bedingung zu gelangen.

3.2 EINSTELLUNG DER SPÜLMITTELMENGE

Die Einstellung der Spülmittelmenge ist durch Einwirken auf die Einschaltzdauer der Spülmitteldosierer möglich.

Spülmittel

Wie folgt das Programmiermenü öffnen: Eine der Türen öffnen und die Tasten G und L einige Sekunden lang gleichzeitig drücken, bis die Angabe "tH" angezeigt wird, dann die Taste A so lange drücken, bis im ersten Feld "dL" zu lesen ist.



Im zweiten Feld wird der in Sekunden angegebene Wert angezeigt, auch hier ist ein Steigern oder Mindern des Werts der Einschaltzeit durch Betätigen der Tasten L und G möglich.

Hinweis: Der Punkt steht für eine ½ Sekunde.

Klarspülmittel

Nach Einstellung der Spülmittelmenge erneut die Taste "A" drücken und so auf die nächste Angabe übergehen und "bL" bzw. Klarspülmittel zur Anzeige bringen. Die Einschaltzeit durch Betätigen der Tasten "L" und "G" erhöhen oder herabsetzen.



3.3 BENUTZERMELDUNGEN

Displaymeldung	Funktionsbeschreibung
do	Einer der Maschinentüren ist offen.
b	Nachspülwassertemperaturen
t	Spülwassertemperatur

3.4 FEHLERMELDUNGEN

Die Maschine erkennt die verschiedenen Betriebsstörungen.

Hier eine kurze Beschreibung wie zu verfahren ist, wenn am Display ERR ...angezeigt wird.

Anzeige am Display	Alarm	Beschreibung der erfassten Störung
Er 02	Mangelnder Ablass	Die Ablaufleitungen kontrollieren und überprüfen, dass sie nicht verstopft sind. Bei Maschinen mit "Überlauf" überprüfen, dass dieser entfernt resultiert. Sollte das Problem weiterhin bestehen bleiben, könnte dies auf einen defekte, elektrische Abpumpumpe zurückführbar sein, in diesem Fall sich mit dem Kundendienst in Verbindung setzen.
"Er. 03"	Timeout Thermostop	Die Temperatur des Boilers hat den Setpoint innerhalb der Verlängerung der Spülphase des Arbeitszyklus erreicht. Die Aufwärmfunktion des Boilers wird ausgeschaltet. Sich mit dem Technischen Vertragskundendienst in Verbindung setzen.
"Er. 04"	Timeout Beckenfüllung	Wasserstand im Spülbecken wurde nicht erreicht. Die Maschine aus- und erneut einschalten und überprüfen, dass die Überläufe korrekt eingesetzt und die Wasserversorgung geöffnet wurden, andernfalls sich mit dem technischen Vertragskundendienst in Verbindung setzen.
"Er. 05 Er 06"	Beckensonde offen.	Beckensonde defekt. Die Beckenerwärmung wird gehemmt. Sich mit dem Technischen Vertragskundendienst in Verbindung setzen.
"Er. 07 Er .08"	Boilersonde offen.	Boilersonde defekt. Die Boliererwärmung wird gehemmt. Sich mit dem Technischen Vertragskundendienst in Verbindung setzen.
"er ht	Beckentemperatur zu hoch.	B4 > Max.BeckenTemp. Die Beckenerwärmung wird gehemmt.
"er Hb"	Boilertemperatur zu hoch.	B2 > Max.Boilertemp. Die Boliererwärmung wird gehemmt.
"er sf"	Elektromechanische Sicherheit	Es könnte einer der Sicherheitsthermostate ausgelöst haben. Die Maschine aus- und erneut einschalten, falls dem Problem damit keine Abhilfe geschaffen wurde, sich mit dem technischen Vertragskundendienst in Verbindung setzen.
"er 09"	Timeout Bolilerfüllung	Problem bei der Wasserbefüllung des Boilers. Kontrollieren, dass die Wasserversorgung korrekt geöffnet ist und das der Durchsatz des Wasserversorgungsnetzes ausreicht, um den Angaben auf dem Maschinenschild zu entsprechen. Die Maschine aus- und erneut einschalten. Falls das Problem weiterhin vorliegen sollte, sich an den Technischen Kundendienst wenden.

"er 01"	Nachspülung nicht erfolgt.	Das Geschirr wurde nicht korrekt nachgespült. Kontrollieren, dass die Sprühdüsen der Nachspülarme nicht verstopft sind. Falls das Problem weiterhin vorliegen sollte, sich an den Technischen Kundendienst wenden.
"er SL"	Sicherheitsvorrichtung Niveau	Problem bezüglich des Wasserablasses. Die Abpumpelektropumpe hat nicht korrekt abgepumpt. Die Leitungen des Ablasses kontrollieren. Falls das Problem weiterhin vorliegen sollte, sich an den Technischen Kundendienst wenden.
"Er rb"	Reset-Versuch Fehler 09	Die Maschine zeigt diese Meldung an, wenn sie einen Versuch bezüglich der Abhilfe eines Problems bei der Boilerbefüllung anstellt.
"Er 22"	Timeout Thermostop Becken	Problem bezüglich der Wassererwärmung im Boiler. Sich an ein Technisches Kundendienstzentrum wenden.
"no ns"	Salzmangel (warning)	(Maschinen mit Wasserenthärter). Salz in den entsprechenden Behälter im Spülbecken nachfüllen
"no dn"	Spülmittelmangel (warning)	
"no bn"	Klarspülmittelmangel (warning)	
"no na"	Wartung Wasserenthärter (warning)	(Maschinen mit externem Wasserenthärter). Eine Regenerierung der Harze vornehmen.
"no 13"	Break tank leer (warning)	Sollte diese Meldung häufig angezeigt werden, überprüfen, dass der Durchsatz des Wasserversorgungsnetzes korrekt ist bzw. den Maschinenanforderungen entspricht.

Achtung: Das Aus- und darauf folgende Einschalten der Maschine führt zum "Rücksetzen" der Anzeige, die sich erneut ergibt, falls das Problem nicht beseitigt werden konnte



KAP.4 SICHERHEITSHINWEISE

4.1 EVENTUELLE GEFAHREN UND WARNHINWEISE

- Die Maschinentür nicht öffnen, bevor der Waschgang beendet ist.
- Niemals die bloßen Hände in die Waschlauge tauchen.
- Niemals die Maschinenplatten abmontieren, bevor man nicht die Zufuhrleitungen unterbrochen hat.
- Das Fachpersonal, das die Installation und den elektrischen Anschluss vornimmt, hat die Pflicht, die Kundschaft entsprechend über das Funktionieren der Maschine und die einzuhaltenden Sicherheitsmaßnahmen zu informieren.
- Zusätzlich muss der Installateur dem Kunden eine praktische Demonstration des Gebrauchs der Maschine geben und schriftliche Anweisungen, die zusammen mit der Maschine geliefert werden, hinterlassen.
- **Diese Maschine darf ausschließlich für die vorgesehenen Zwecke benützt werden. Jeder andere Gebrauch ist als ungeeignet und daher gefährlich zu betrachten.**
- Die Maschine darf nicht von unausgebildetem Personal benützt werden.
- Niemals die Maschine ohne die vom Konstrukteur vorgesehenen Schutzvorrichtungen (Mikroschalter; Platten usw.) benützen.
- Niemals die Maschine zum Waschen von Gegenständen anderer Form, Art, Größe oder Material, die nicht vom Konstrukteur vorgesehen sind, benützen.
- Eine eventuelle Reparatur darf ausschließlich vom Hersteller oder einem autorisierten Kundendienst-Zentrum vorgenommen werden. Es sind ausnahmslos Original-Ersatzteile zu verwenden.
- Nichtbeachtung der obengenannten Vorschriften kann die Sicherheit der Maschine beeinträchtigen.
- Die Maschine darf nicht unter Spannung bleiben, wenn sie nicht benutzt wird.

4.2 NORMAL WARTUNG BEDINGUNGEN

Umgebend Temperatur : 40°Cmax 4°Cmin (Durchschnitt 30°C)

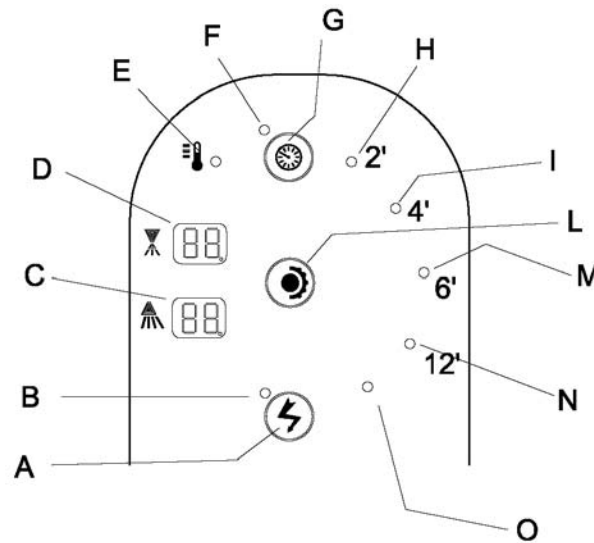
Höhe : bis zu 2000 m

Verwandte Feuchtigkeit : max 30% am max 90% am 20°C

Überführung und Lagerung : zwischen 10°C und 55°C mit Ruhe bis zu 70°C (max 24h)

KAP.5 MASCHINENEINSATZ

5.1 Beschreibung der Steuerungen



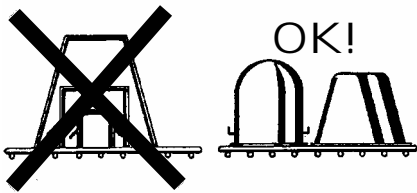
Taste / Anzeige	Funktion
A	on /off-Taste der Maschine
B	Kontrollleuchte "Linie on"
C	Anzeige der Spültemperatur
D	Anzeige der Nachspültemperatur
E	Anzeigeleuchte "Maschine betriebsbereit"
F	Anzeigeleuchte "Zyklus läuft"
G	Zyklusstarttaste
H	Kontrollleuchte - 2 Minuten-Programm gewählt
I	Kontrollleuchte - 4 Minuten-Programm gewählt
L	Spülprogrammwahl-taste
M	Kontrollleuchte - 6 Minuten-Programm gewählt
N	Kontrollleuchte - 12 Minuten-Programm gewählt
O	Spülmittelmangel Programm gewählt

5.2 Einsatzweise

Nehmen Sie Bezug auf die Abbildung auf Seite 9

- 1) Sich darüber vergewissern, dass der Überlauf und die Filter in das Becken eingesetzt wurden, dann den Füllstand der Spülmittel kontrollieren und ob die Wasserversorgung geöffnet ist.
 - 2) Die Taste A drücken, die Kontrollleuchte B leuchtet auf, die Maschine lädt und erwärmt das Wasser.
 - 3) Sobald die Maschine geladen und betriebsbereit resultiert, leuchtet die Kontrollleuchte A grün auf.
 - 4) Nun über die Taste L das Spülprogramm wählen .
 - 5) Einen mit Spülgut geladenen Korb einfügen (**siehe Kap 6.3 Korbbelegung**)
 - 6) Die Spülmaschinentür schließen und das Spülverfahren durch Betätigen der Taste G starten.
ACHTUNG: Das Spülgang kann in jedem Moment durch Drücken der Taste G gestoppt oder über die Taste A gestoppt werden.
 - 7) Man wird feststellen können, dass die Kontrollleuchte F neben der Starttaste aufleuchtet und die Kontrollleuchte des gewählten Spülprogramms zu blinken beginnt.
 - 8) Bei beendetem Spülgang erlischt die Kontrollleuchte F und die Kontrollleuchte des gewählten Programms leuchtet permanent auf.
 - 9) Nach Einsatzende die Spülmaschine über die Taste 1 abschalten und die Angaben im Kapitel“ **6.4 Arbeitsmaßnahmen am Einsatzende**“ befolgen.
-

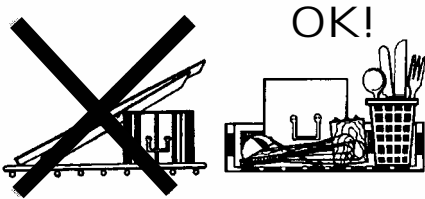
5.3 ANORDNUNG DES GESCHIRRS



• Gemäß der Anleitung des Herstellers die notwendige Menge Spülmittel in die Wanne einfüllen

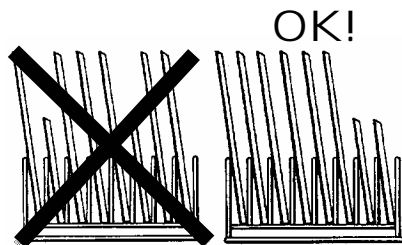
• Es muss ein industrielles Spülmittel mit Schaumhemmer verwendet werden.

• Nicht die bloßen Hände in die Waschlauge eintauchen, die Tassen und Gläser umgedreht in die Körbe stellen. Die Teller in den entsprechenden Korb mit Halterelementen einordnen (Innenfläche nach oben).



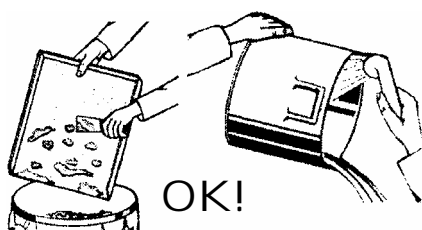
• Besteck und Kaffeelöffel mit dem Griff nach unten einfüllen.

• Keine Bestecke aus Silber und aus rostfreiem Stahl in denselben Besteckkorb geben. Das Silber würde anlaufen und der rostfreie Stahl wahrscheinlich korrodieren .



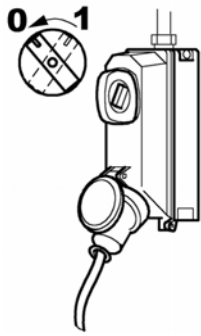
• Für die verschiedenen Gegenstände (Teller , Gläser , Tassen, Besteck usw.) die jeweils dafür vorgesehenen Körbe verwenden. Um Spülmittel und Strom einzusparen, nur volle, aber nicht überladene Körbe spülen. Das Übereinanderstapeln von Geschirr ist zu vermeiden.

Um den Wartungsaufwand soweit als möglich einzuschränken, **EMPFEHLEN WIR EINE VORREINIGUNG** des Geschirrs. Die Entfernung von Essensresten, Zitronenschalen Zahnstochern, Olivenkernen usw., die den Filter der Elektropumpe teilweise verstopfen und somit die Reinigungswirkung beeinträchtigen könnten, verbessert auch die Qualität des Endergebnisses.

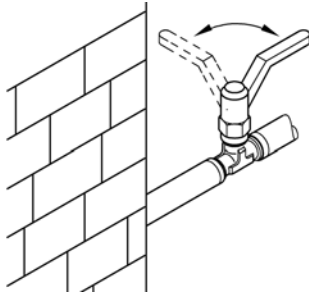


Es wird empfohlen, das Geschirr zu spülen, bevor die Essensreste darauf antrocknen. Sollte der Schmutz bereits verhärtet sein, wird empfohlen, Geschirr und Besteck einzuweichen, bevor es in die Maschine eingefüllt wird.

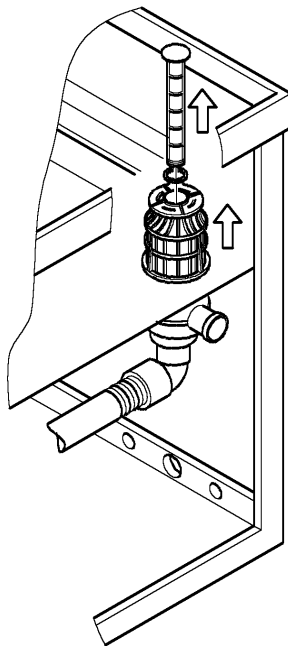
5.4 TÄTIGKEITEN BEI ENDE DES SPÜLGANGES



- Die Stromzufuhr zur Maschine unterbrechen.
- Die Tür öffnen und den Korb mit dem sauberen Geschirr herausnehmen.
- Durch Heben des Überlaufs das Wasser aus der Wanne ablassen. Bei Maschinen mit Ablaufpumpe die Anweisungen in Abschnitt 4.1.1 "Automatischer Abfluss des Spülwassers" befolgen.



- Den Hauptschalter der Anlage abschalten.
- Den Absperrschieber der Wasserzulaufleitung schließen.



- Die Filter entfernen; sie unter einem Wasserstrahl mit einer Nylonbürste reinigen.
- Beachten sie, dass keine Schmutzreste vom Boden des Filters der Abflusspumpe in die Wanne fallen. Die Wanne mit einem mäßig starken Wasserstrahl reinigen. Die äußeren Oberflächen, wenn sie kalt sind, mit einem nicht-scheuernden, speziell für Stahl geeigneten Mittel reinigen.

Bemerkung: Das Gerät nie mit direktem Wasserstrahl oder mit Wasser unter starkem Druck reinigen, da bei eventuellem Eindringen von Wasser in die elektrischen Teile der Maschine das regelmäßige Funktionieren des Geräts und der einzelnen Sicherheitssysteme nicht mehr gesichert ist und außerdem in einem solchen Fall die Garantie ihre Gültigkeit verliert.

KAP.6 WARTUNG

6.1 ALLGEMEINE VORSCHRIFTEN

Die Maschinen sind wartungsarm ausgelegt. Die folgenden Normen müssen immer beachtet werden, um eine lange Dauer und ein Funktionieren ohne Schwierigkeiten zu garantieren.

Auf jeden Fall müssen einige allgemeine Regeln beachtet werden, um das Funktionieren der Maschine perfekt zu halten:

- Die Maschine sauber und in Ordnung halten
- Vermeiden, dass vorläufige oder Notreparaturen zur Regel werden.

Die strenge Beachtung der Normen der periodischen Wartung ist äußerst wichtig. Alle Maschinenteile müssen regelmäßig kontrolliert werden, um zu vermeiden, dass es zu eventuellen Unregelmäßigkeiten kommt und um die für den eventuellen Wartungsfall notwendigen Zeiten und Mittel vorherzusehen.

Bevor Sie das Gerät reinigen, schalten Sie die Stromversorgung ab.

6.2 REGELMÄSSIGE WARTUNG (mindestens alle 20 Tage)

Um die im folgenden beschriebenen Wartungsarbeiten einfacher zu machen, kann man den Korbrahmen aus seinem Sitz herausziehen.

- Die oberen und unteren Nachspülarme ausbauen; dazu wird die Befestigungsklinke abgeschraubt.
 - Sämtliche Düsen ausbauen, reinigen und wieder an ihren Platz einsetzen.
 - Die oberen und unteren Wascharme durch Abschrauben des Nachspülzapfens ausbauen, reinigen und nachspülen.
 - Den Filter der Waschpumpe herausnehmen. Den Filter reinigen und abspülen.
 - Mit großer Sorgfalt die Wanne reinigen.
 - Während die Maschine stillsteht, den Deckel offen stehen lassen.
 - Durch die im Wasser enthaltenen Kalk- und Magnesiumsalze bilden sich nach einer bestimmten Betriebszeit, je nach Wasserhärte, im Inneren des Boilers und in den Rohrleitungen Kalkablagerungen, die das einwandfreie Funktionieren der Maschine infrage stellen können.
-

- Diese Ablagerungen müssen deshalb regelmäßig entfernt werden. Es wird empfohlen, hierzu Fachpersonal heranzuziehen.
- Sollte die Maschine lange Zeit unbenutzt stehen, die Stahlflächen mit Vaselineöl einölen.
- Bei Gefahr von Eisbildung muss Fachpersonal das Wasser aus dem Boiler und der Waschpumpe ablassen.
- Bei Schäden oder Funktionsstörungen wenden Sie sich nur an ein vom Hersteller der Geräte oder vom Händler autorisiertes Kundendienstzentrum.

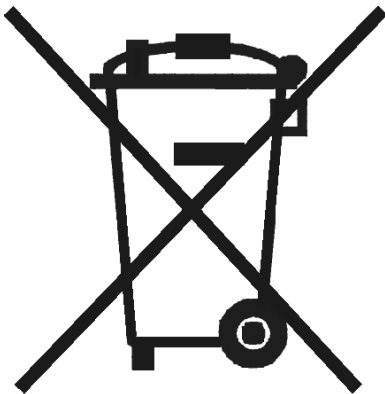


KAP.7 ABBAU

7.1 ABBAU DER MASCHINE

In unseren Maschinen gibt es keine Materialien, die besondere Entsorgungsverfahren erfordern.

7.2 KORRELTE ENTSORGUNG PRODUKTS (Elektromüll)



(Anzuwenden in den Ländern der Europäischen Union und anderen europäischen Ländern mit einem separaten Sammelsystem)
Die Kennzeichnung auf dem Produkt bzw., auf der dazugehörigen Literatur gibt an, dass es nach seiner Lebensdauer nicht zusammen mit dem normalen Haushaltsmüll entsorgt werden darf. Entsorgen Sie dieses Gerät bitte getrennt von anderen Abfällen, um der Umwelt bzw. der menschlichen Gesundheit nicht durch unkontrollierte Müllbeseitigung zu stofflichen Ressourcen zu fördern.

Private Nutzer sollten den Händler, bei dem das Produkt gekauft wurde, oder die zuständigen Behörden kontaktieren, um in Erfahrung zu bringen, wie sie das Gerät auf umweltfreundliche Weise recyceln können.

Gewerbliche Nutzer sollten sich an ihren Lieferanten wenden und die Bedingungen des Kaufvertrags konsultieren. Dieses Produkt darf nicht zusammen mit anderem Geschäftsmüll entsorgt werden.

SOMMAIRE

CHAP.1	PRÉFACE	3
CHAP.2	INSTALLATION	3
2.1	DEPLACEMENT ET DEBALLAGE	3
2.2	BRANCHEMENT ELECTRIQUE	4
2.3	RACCORDEMENT HYDRAULIQUE	4
2.4	CONNEXION AU RESEAU DE VIDANGE	5
CHAP.3	PROGRAMMATIONS ET REGLAGES	5
3.1	REGLAGE DES TEMPERATURES DE FONCTIONNEMENT	5
3.2	REGLAGE DE LA QUANTITE DES DETERGENTS	6
3.3	MESSAGES UTILISATEUR	7
3.4	MESSAGES ERREURS	7
CHAP.4	PRESCRIPTIONS DE SECURITE:	8
4.1	RISQUES RESIDUELS ET AVERTISSEMENTS	8
4.2	CONDITIONS NORMALITE SERVICE	8
CHAP.5	UTILISATION DE LA MACHINE	9
5.1	DESCRIPTION DES COMMANDES	9
5.2	MODE D'EMPLOI	10
5.3	DISPOSITION DE LA LAVE-VAISSELLE	11
5.4	OPÉRATIONS DE FIN SERVICE	12
CHAP.6	ENTRETIEN	13
6.1	REGLES GENERALES	13
6.2	ENTRETIEN PERIODIQUE (à effectuer tous les 20 jours au minimum)	13
CHAP.7	DEMANTELEMENT	14
7.1	MISE AU REBUT DE LA MACHINE	14
7.2	COMMENT ELIMINER CE PRODUIT	14

CHAP.1 PRÉFACE

Les avertissements contenus dans ce manuel fournissent d'importantes indications concernant la sûreté dans les différentes phases de l'installation, de l'emploi et de l'entretien.

L'opérateur a le devoir de lire attentivement ce manuel avant de commencer toute opération concernant le déplacement, l'installation, l'usage, l'entretien ou la mise au rebut de la machine. Il faut donc garder soigneusement ce livret, en le plaçant dans un endroit sûr, et en faire plusieurs copies pour la consultation fréquente.

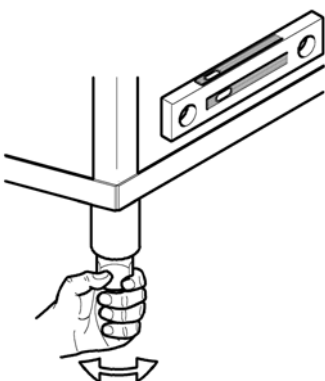
CHAP.2 INSTALLATION

2.1 DÉPLACEMENT ET DÉBALLAGE



- Le déplacement doit être exécuté avec soin au moyen d'un élévateur.
- Vérifier l'intégrité de l'appareil; en cas de dommages visibles, renseigner immédiatement le vendeur et le transporteur qui a effectué le transport. En cas de doute, ne pas utiliser la machine jusqu'à ce qu'elle ait été contrôlée par le personnel spécialisé.
- Transporter la machine sur le lieu prévu pour la mise en place et la déballer.

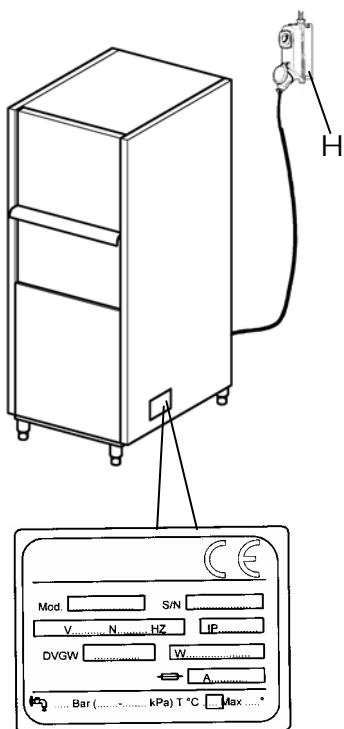
Les éléments d'emballage (sachets en plastique, polystyrène expansé, clous etc.) ne doivent pas être laissés à la portée des enfants car ils constituent un danger potentiel.



- La mise en place doit être exécutée selon les consignes du constructeur et par un personnel qualifié.
- Cette machine n'est destinée qu'au raccordement fixe.
- Positionner la machine en ayant soin de la mettre parfaitement de niveau en réglant ses vérins.
- Le dallage devra tenir compte du poids global de la machine.
- Suivant les indications du schéma d'installation de la machine, prévoir dans le local de lavage, les installations d'alimentation électrique, d'approvisionnement d'eau et d'évacuation.



2.2 BRANCHEMENT ÉLECTRIQUE



1. La connexion au réseau devra être exécutée au moyen d'un interrupteur général. (H) De type omnipolaire, il interrompt tous les contacts y compris le neutre, avec une distance entre les contacts ouverts d'au moins 3 mm, avec déclenchement magnéto-thermique de sécurité ou accouplé à des fusibles et capable d'être compatible avec les indications de la fiche technique, et de la plaque de l'appareil.
2. S'assurer que la tension et la fréquence du réseau électrique correspondent à celles qui sont indiquées sur l'étiquette des caractéristiques techniques placée sur le côté droit de la machine.
3. Une mise à la terre efficace, imposée par les normes de prévention en vigueur, est un gage de sécurité pour l'opérateur et pour l'appareil.
4. Il est absolument défendu d'utiliser des adaptateurs, des prises multiples et des rallonges.
5. L'appareil doit en outre être inclus dans un système équipotentiel dont la connexion est exécutée au moyen d'une vis indiquée par le symbole. ⚡ Le conducteur équipotentiel devra avoir une section de 10 mm².



Le câble d'alimentation pourra être remplacé seulement par un câble ayant la même section, du type H07RN-F.

Pour d'autres informations, vous pouvez consulter le schéma électrique ci-joint.

2.3 RACCORDEMENT HYDRAULIQUE

Préparer le local selon le schéma hydraulique ci-joint.

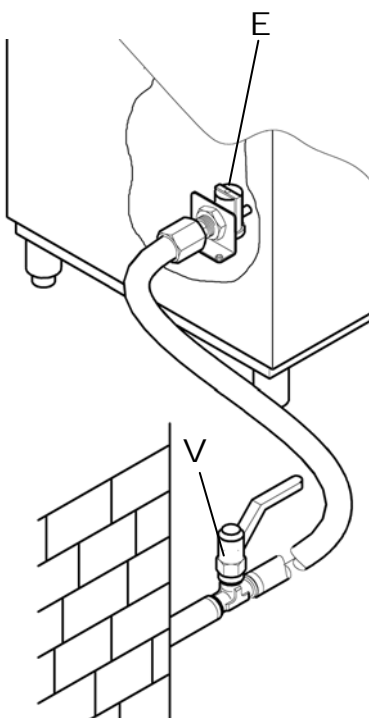
Avant de raccorder la machine, s'assurer qu'une soupape à vanne a été intercalée entre le réseau de distribution d'eau et la machine, afin de pouvoir couper l'alimentation au besoin ou en cas de réparation.

Au moyen d'un tuyau flexible, relier l'électrovanne (E) de remplissage à la vanne d'arrivée d'eau (V) et s'assurer que la portée de l'alimentation ne soit pas inférieure à 20 l/min.

S'assurer que la température et la pression de l'eau d'alimentation correspondent aux valeurs indiquées dans la documentation technique.

Si la dureté de l'eau est supérieure aux valeurs indiquées dans le tableau suivant, nous conseillons d'installer un adoucisseur en amont de l'électrovanne d'alimentation de la machine.

En cas de très forte concentration de minéraux résiduels dans l'eau ou de conductibilité élevée, nous recommandons d'installer un équipement

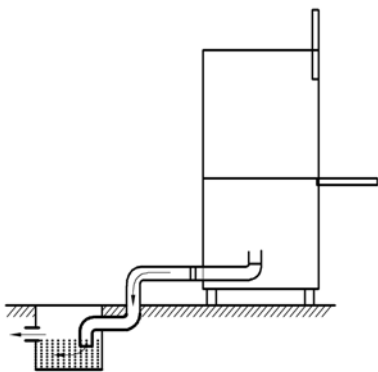


de déminéralisation étallonnée pour avoir une dureté résiduelle comme indiqué dans le tableau suivant.

	Caractéristiques		Da	A
Dureté	Dégrés français	f	5	10
	Dégrés allemands	°dH	4	7,5
	Dégrés anglais	°e	5	9,5
	Parties pour milion	ppm	70	140
Minéraux résidus	Maximum	mg/l	300/400	



2.4 CONNEXION AU RESEAU DE VIDANGE



Etant donné que le vidange de la cuve s'effectue par gravité, l'évacuation doit être située à un niveau inférieur à la base de la machine.

Le raccord de vidange doit être relié à un puisard ou à un drain siphonné creusé dans le sol au moyen d'un tuyau flexible.

Les dimensions du vidange de la machine sont indiquées dans le schéma d'installation.

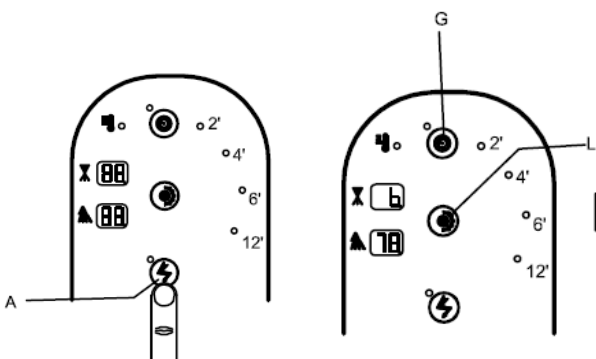
CHAP.3 PROGRAMMATIONS ET REGLAGES

3.1 REGLAGE DES TEMPERATURES DE FONCTIONNEMENT

Il est possible de régler les températures de chauffage de l'eau de la chaudière (eau de rinçage) et/ou la température de la cuve de lavage.

Réglage température rinçage de la chaudière:

mettre la machine en marche, appuyer sur le bouton de ligne on/off "A" pendant quelques secondes jusqu'à ce que l'inscription "b" "78 °C" soit affichée. Augmenter ou diminuer la valeur du réglage à l'aide des boutons G et L.



Réglage température cuve de lavage :

Appuyer ensuite sur le bouton A et afficher l'inscription "t" "55", régler à l'aide des boutons G et L.



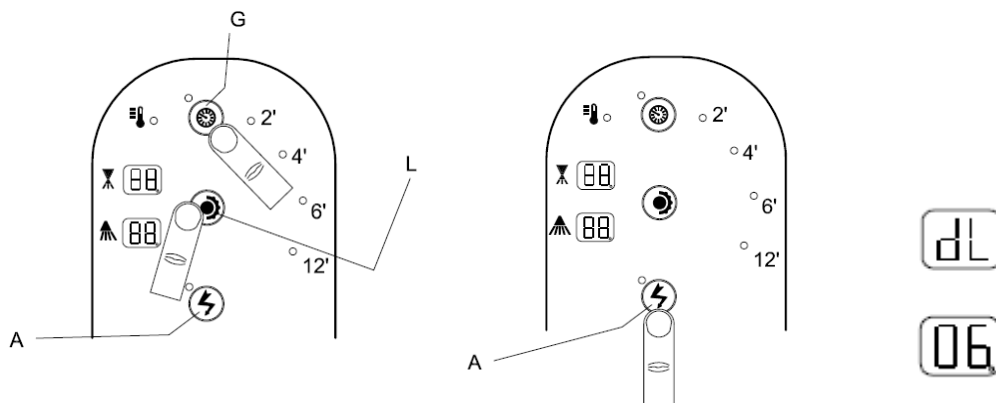
Programmer les températures ; il suffit d'appuyer sur le bouton A pour retourner à la condition précédente.

3.2 REGLAGE DE LA QUANTITE DES DETERGENTS

Il est possible de programmer les quantités des détergents en agissant sur le temps d'allumage des doseurs de détergents.

Détergent

Accéder au menu programmation comme suit : ouvrir une des portes, appuyer simultanément sur les boutons G et L pendant quelques secondes jusqu'à ce que l'inscription "tH" soit affichée ; appuyer ensuite sur le bouton A jusqu'à ce que l'inscription "dL" soit affichée dans le premier cadran.



Le second cadran affiche la valeur fixée en secondes ; il est possible d'augmenter ou de diminuer le temps d'allumage à l'aide des boutons L et G.

Note : le point indique la ½ seconde.

Liquide de rinçage

Après avoir programmé la quantité de détergent, appuyer de nouveau sur le bouton "A" pour passer à la rubrique suivante et afficher "bL" liquide de rinçage. Augmenter ou diminuer le temps d'allumage à l'aide des boutons "L" et "G".



3.3 MESSAGES UTILISATEUR

Message afficheur	Description de la fonction.
do (porte ouverte)	Une des portes de la machine est ouverte.
b	Température eau de rinçage
t	Température eau de lavage

3.4 MESSAGES ERREURS

La machine est en mesure de reconnaître diverses situations de mauvais fonctionnements. Voici une brève description de ce qu'il faut faire si l'afficheur visualise le message ERR

Erreur affichée	Alarme	Description de l'anomalie détectée.
Er 02	Échec vidange	Contrôler la tuyauterie de vidange et l'absence de toute obstruction. Pour les machines équipées de dispositif de "trop-plein" vérifier qu'il a été ôté. Si le problème persiste, il est possible qu'il s'agisse de la casse de la motopompe de vidange, contacter un centre d'assistance.
"Er. 03"	Timeout thermostop	La température de la chaudière n'a pas atteint la valeur programmée dans le délai du prolongement de la phase de lavage du cycle de travail. Le chauffage de la chaudière est désactivé Contactez le centre après-vente autorisé
"Er. 04"	Timeout remplissage cuve	Echec obtention niveau d'eau dans la cuve de lavage. Arrêter et remettre la machine en marche, et vérifier si les tuyaux de trop-plein ont été insérés correctement et si l'alimentation d'eau a été activée, autrement contacter le centre après-vente autorisé
"Er. 05 Er 06"	Sonde cuve ouverte	Sonde cuve cassée. Le chauffage de la cuve est désactivé. Contactez le centre après-vente autorisé
"Er. 07 Er .08"	Sonde chaudière ouverte	Sonde chaudière cassée. Le chauffage de la chaudière est désactivé. Contactez le centre après-vente autorisé
"er ht	Température cuve trop élevée	$B4 > \text{TempCuveMax}$. Le chauffage de la cuve est désactivé.
"er Hb"	Température chaudière trop élevée	$B2 > \text{TempChaudièreMax}$. Le chauffage de la chaudière est désactivé.
"er sf"	Sécurité électromécanique	Il est probable qu'un thermostat de sécurité intervienne. Arrêter et remettre la machine en marche ; si le problème persiste, contacter un centre après-vente autorisé.
"er 09"	Timeout chargement chaudière	Problème de chargement de l'eau dans la chaudière, contrôler que le tuyau d'alimentation en eau est ouvert et que le débit du réseau hydrique est suffisant, selon ce qui est indiqué sur la plaque de la machine. Arrêter et remettre la machine en marche, si le problème persiste contacter le centre après-vente.
"er 01"	Rinçage pas effectué	Le rinçage de la vaisselle n'a pas été effectué correctement, contrôler que les buses des bras de rinçage ne sont pas bouchés. Si le problème persiste contacter le centre après-vente.

"er SL"	Sécurité niveau	Problème de vidange de l'eau. La motopompe de vidange n'a pas effectué la vidange correctement. Contrôler la tuyauterie de vidange, si le problème persiste contacter un centre après-vente.
"Er rb"	Tentative de raz erreur 09	La machine affiche ce message lorsqu'elle effectue une tentative de solutionner le problème de chargement chaudière.
"Er 22"	Timeout termostop cuve	problème de chauffage de l'eau dans la chaudière. Contacter un centre après-vente.
"no ns"	Manque de sel (avertissement)	(machines équipées d'adoucisseur d'eau). Ajouter le sel dans le réservoir prévu à cet effet logé dans la cuve de lavage
"no dn"	Manque de détergent (avertissement)	
"no bn"	Manque de liquide de rinçage (avertissement)	
"no na"	Entretien adoucisseur (avertissement)	(machines équipées d'adoucisseur d'eau externe). Effectuer une régénération des résines.
"no 13"	Break tank vide (avertissement)	Si le message s'affiche souvent contrôler que le débit du réseau hydrique est correct par rapport aux conditions requises de la machine.

Attention : l'arrêt et la remise en marche de la machine "remettent à zéro" la signalisation qui se représentera par la suite si le problème n'a pas été résolu

CHAP.4 PRESCRIPTIONS DE SECURITE:



4.1 RISQUES RESIDUELS ET AVERTISSEMENTS

- Ne jamais ouvrir vite la porte de la machine lorsqu'elle n'a pas terminé son cycle de nettoyage
- Ne jamais plonger les mains nues dans la solution de lavage.
- Ne jamais enlever les panneaux de la machine si l'alimentation électrique en amont n'a pas été déconnectée auparavant.
- Le personnel spécialisé qui effectue l'installation et le branchement électrique est tenu d'informer correctement les utilisateurs sur le fonctionnement de l'appareil et sur les mesures de sécurité à suivre.
- L'installateur devra par ailleurs faire des démonstrations pratiques sur le mode d'utilisation et s'assurer que les instructions jointes à l'appareil soient disponibles.
- **Cette machine devra servir uniquement au but pour lequel elle a été conçue. Toute autre utilisation doit être considérée impropre et donc dangereuse.**
- La machine ne doit être utilisée que par le personnel qualifié.
- Ne jamais utiliser la machine sans les protections (microcontacts, panneaux ou autre) installées par le constructeur.
- Ne jamais utiliser la machine pour laver des objets de type, forme, mesure ou matériaux non compatibles avec ceux indiqués par le constructeur.
- L'éventuelle réparation de la machine ne devra être effectuée que par le constructeur ou par un centre de service après-vente agréé, en utilisant exclusivement des pièces de rechange d'origine.
- Le manque d'observation des règles mentionnées ci-dessus peut compromettre la sécurité de la machine.
- La machine ne doit pas rester sous tension lorsqu'elle n'est pas utilisée.
- Le détergent doit être du type industriel, peu mousseux.

4.2 CONDITIONS NORMALITÉ SERVICE

Ambiant Température : 40°Cmax 4°Cmin (moyenne 30°C)

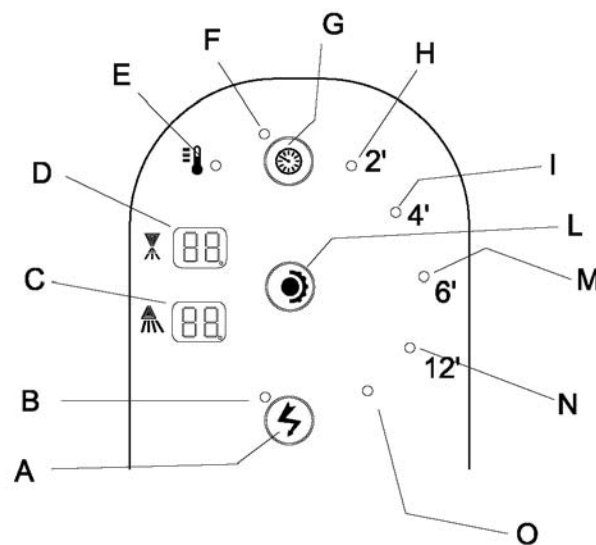
Altitude jusqu'à ce que 2000 métrique

Respective humidité : max 30% à max 90% à 20°C

Transporter et Stockage : entre 10°C et 55°C à tranquillité jusqu'à ce que 70°C(max 24h)

CHAP.5 UTILISATION DE LA MACHINE

5.1 DESCRIPTION DES COMMANDES



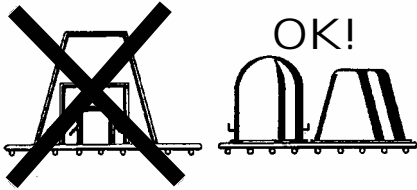
Bouton / signalisation	Fonction
A	Bouton de on/off machine
B	Témoin ligne on
C	Afficheur température de lavage
D	Afficheur température de rinçage
E	Témoin de signalisation machine prête
F	Témoin de cycle en cours
G	Bouton de mise en marche cycle
H	témoin de programme 2 minutes sélectionné
I	témoin de programme 4 minutes sélectionné
L	Bouton choix du programme de lavage
M	témoin de programme 6 minutes sélectionné
N	témoin de programme 12 minutes sélectionné
O	Témoin manque de détergent

5.2 MODE D'EMPLOI

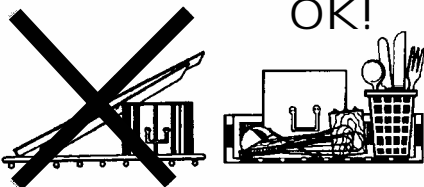
Se référer à la figure de la page 9

- 1) S'assurer si le trop-plein et les filtres ont été insérés dans la cuve, puis contrôler les niveaux des détergents et l'activation de l'alimentation d'eau.
 - 2) Appuyer sur le bouton A, le témoin B s'allume et la machine se remplit d'eau et chauffe l'eau.
 - 3) Quand la machine sera pleine et prête pour l'utilisation, le témoin A s'allume en vert,
 - 4) Choisir le programme de lavage à l'aide du bouton L .
 - 5) Insérer un panier plein d'objets à laver (**voir chap. 6.3 chargement paniers**)
 - 6) Fermer la porte et lancer le cycle de lavage à l'aide du bouton G
- ATTENTION : il est possible d'arrêter le lavage, à tout moment, à l'aide du bouton G ou d'arrêter même la machine à l'aide du bouton A.**
- 7) Vous noterez que le témoin F attendant au bouton de mise en marche s'allume et le témoin du programme de lavage sélectionné clignote.
 - 8) Quand le lavage se termine, le témoin F s'éteint et le témoin du programme sélectionné s'allume fixe.
 - 9) En fin de cycle, arrêter la machine au moyen du bouton 1 et suivre les indications du chapitre “ **6.4 Opérations de fin de cycle**”.
-

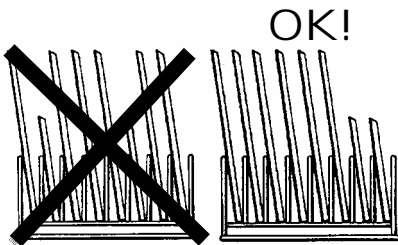
5.3 DISPOSITION DE LA LAVE-VAISSELLE



- Ne pas plonger les mains nues dans la lessive de lavage; ranger les tasses et les verres renversés dans les paniers. Introduire les assiettes dans le panier spécial qui est muni de doigts de support, la surface intérieure étant tournée vers le haut.



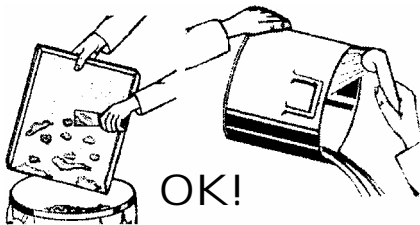
- Disposer les couverts et les cuillers à café, le manche étant tourné vers le bas.



- Ne pas ranger les couverts en argent et en acier inoxydable dans le même panier. Il s'ensuivrait le brunissage de l'argent et la corrosion probable de l'acier inoxydable.

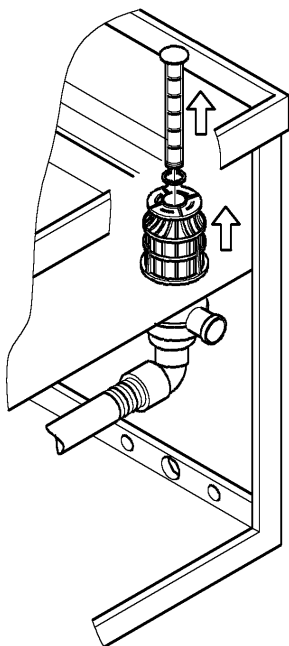
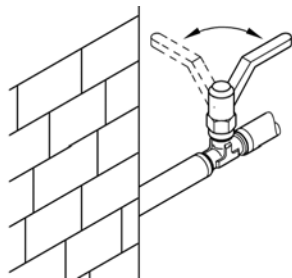
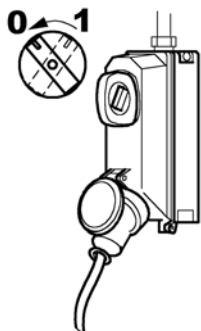
- Utiliser les paniers spécifiques qui ont été spécialement conçus pour le type différent de vaisselle (assiettes, verres, tasses, couverts, etc.). Pour économiser du détergent et de l'énergie électrique, ne laver que les paniers complets, sans toutefois les surcharger. Eviter toute superposition de la vaisselle.

Afin de réduire au minimum l'entretien, **NOUS PRECONISONS DE NETTOYER PREALABLEMENT** la vaisselle. L'élimination des déchets, des zestes de citron, des cure - dents, des noyaux d'olive, etc. qui risqueraient de boucher partiellement le filtre de l'électropompe, réduisant la performance du lavage, améliorera sensiblement la qualité du résultat final.



Il est conseillé de laver la vaisselle avant que les déchets puissent sécher sur sa surface. En cas de saleté durcie, il sera nécessaire d'effectuer un traitement de trempage avant d'introduire la vaisselle et les couverts dans la machine.

5.4 OPÉRATIONS DE FIN SERVICE



- Enlever tension de la machine
- Ouvrir la porte et enlever le corbillon avec la vaisselle propre.
- Faire déverser l'eau de la cuve en soulevant le trop-plein. Pour le modèle avec pompe de Vidange
- Déconnecter l'interrupteur général de l'appareillage.
- Fermer la soupape à vanne pour la connexion hydraulique.
- Enlever les filtres, les laver et nettoyer sous un jet d'eau froide avec une brosse en nylon.
- Faire attention à ne pas faire tomber les restes de saleté sur le fond du filtre pompe vidange dans la cuve. Nettoyer la cuve avec un jet d'eau modéré. Laver les surfaces extérieures quand elles sont froides avec produits non-abrasifs spécialement formulés pour l'entretien de l'acier.

NOTE: Ne pas laver l'appareil avec jets directs ou avec haute pression car éventuelles infiltrations aux composants électriques pourraient compromettre le régulier fonctionnement de l'appareil et des singles systèmes de sûreté. Amende la déchéance de la garantie.

CHAP.6 ENTRETIEN

6.1 REGLES GENERALES

Les machines ont été conçue a fin de réduire au minimum les besoins d'entretien. Les règles suivantes doivent être observées rigoureusement a fin de garantir une longue durée et un bon fonctionnement sans problèmes.

De toute façon on devra observer certaines règles générales pour maintenir les machines en parfait état de marche:

- maintenir la machine propre et en bon état
- éviter que les réparations provisoires ou d'urgence deviennent systématiques.


L'observation rigoureuse des règles d'entretien périodique est extrêmement importante, tous les organes de la machine doivent être contrôlés régulièrement a fin d'éviter des anomalies éventuelles, en prévoyant ainsi les temps et les moyens nécessaires pour l'éventuel intervention d'entretien.

Avant d procéder aux opérations de nettoyage, débrancher l'appareil.

6.2 ENTRETIEN PERIODIQUE (à effectuer tous les 20 jours au minimum)

Pour faciliter les operation qui suivent peut être enlevé de son siège le châssis porte-panier.

- Démontez les bras de rinçage supérieurs et inférieurs, en devissant le cliquet de fixation.
 - Dévissez et nettoyez tous les jets et les remonter à leur place.
 - Démontez les bras de lavage supérieurs et inférieurs en devissant le pivot de rinçage les nettoyez et le rincer.
 - Retirez le filtre de la pompe de lavage. Le nettoyez et le rincer.
 - Nettoyez soigneusement la cuve de lavage.
 - Laissez le capot de la machine ouvert pendant toute la période de repos.
 - A cause de sels de calcium et de magnésium présent dans l'eau, après une certaine période de fonctionnement, qui varie en fonction de la dureté de l'eau, une couche de tartre peut se former sur les parois de la cuve, du réchauffeur et des conduits, ce qui risque de préjudicier au bon fonctionnement de la machine.
-

- On devra donc effectuer périodiquement un détartrage que l'on conseille de faire exécuter par des techniciens qualifiés.
 - Au cas où la machine resterait longtemps inutilisée, graisser les surfaces en acier avec de l'huile de vaseline.
 - En cas de formation de glace, faire vider l'eau du réchauffeur et de la pompe de lavage par des techniciens qualifiés.
-  • **En cas de formation de glace, faire vider l'eau du réchauffeur et de la pompe de lavage par des techniciens qualifiés.**

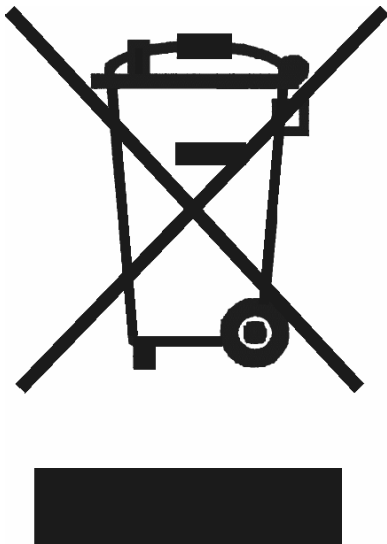
CHAP.7 DEMANTELEMENT

7.1 MISE AU REBUT DE LA MACHINE

Sur nos machines il n'y a pas de matériaux qui demandent des procédures particulières de déterioration.

7.2 COMMENT ELIMINER CE PRODUIT

(Déchet d'équipementes électriques et électroniques)



Ce symbole sur le produit ou sa documentation indique qu'il ne doit pas être éliminé en fin de vie avec les autres déchets ménagers. L'élimination incontrôlée des déchets pouvant porter préjudice à la santé humaine, veuillez le séparer des autres types de déchets et le recycler de façon responsable. Vous Favoriserez ainsi la réutilisation durable des ressources matérielles.

Les particuliers sont invités à contacter le distributeur leur ayant vendu le produit ou à se renseigner auprès de leur mairie pour savoir où et comment ils peuvent se débarrasser de ce produit afin qu'il soit recyclé en respectant l'environnement.

Les entreprises sont invitées à contacter leurs fournisseur et à consulter les condition sde leur contract de vente. Ce produit ne doit pas être éliminé avec les autres déchets commerciaux.

INDICE

CAP.1	PREFAZIONE	3
CAP.2	INSTALLAZIONE	3
2.1	MOVIMENTAZIONE E DISIMBALLO.....	3
2.2	COLLEGAMENTO ELETTRICO	4
2.3	COLLEGAMENTO IDRAULICO.....	4
2.4	COLLEGAMENTO ALLA LINEA DI SCARICO.....	5
CAP.3	IMPOSTAZIONI E REGOLAZIONI	5
3.1	REGOLAZIONE DELLE TEMPERATURE DI ESERCIZIO.....	5
3.2	REGOLAZIONE DELLA QUANTITÀ DEI DETERGENTI	6
3.3	MESSAGGI UTENTE.....	7
3.4	MESSAGGI ERRORI.....	7
CAP.4	RACCOMANDAZIONI DI SICUREZZA	8
4.1	RISCHI RESIDUI E AVVERTENZA	8
4.2	NORMALI CONDIZIONI DI SERVIZIO	8
CAP.5	USO DELLA MACCHINA	9
5.1	DESCRIZIONE COMANDI.....	9
5.2	MODO D'USO.....	10
5.3	CARICO CESTELLI	11
5.4	OPERAZIONI DI FINE SERVIZIO	12
CAP.6	MANUTENZIONE	12
6.1	REGOLE GENERALI	12
6.2	MANUTENZIONE PERIODICA (DA EFFETTUARSI MINIMO OGNI 20 GIORNI)	13
CAP.7	SMANTELLAMENTO	14
7.1	SMANTELLAMENTO DELLA MACCHINA	14
7.2	CORRETTO SMALTIMENTO DEL PRODOTTO.....	14

CAP.1 PREFAZIONE

Le avvertenze contenute nel presente manuale forniscono importanti indicazioni riguardanti la sicurezza nelle varie fasi di: installazione, uso e manutenzione.

L'operatore avrà obbligatoriamente il dovere di visionare il presente manuale prima di avviare ogni operazione riguardante la movimentazione, l'installazione, l'uso, la manutenzione o la messa fuori servizio della stessa macchina; è necessario quindi, conservarlo integro nel tempo, attraverso una collocazione sicura, con eventuali copie per la consultazione frequente

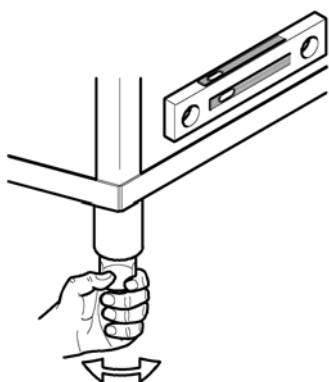
CAP.2 INSTALLAZIONE

2.1 MOVIMENTAZIONE E DISIMBALLO

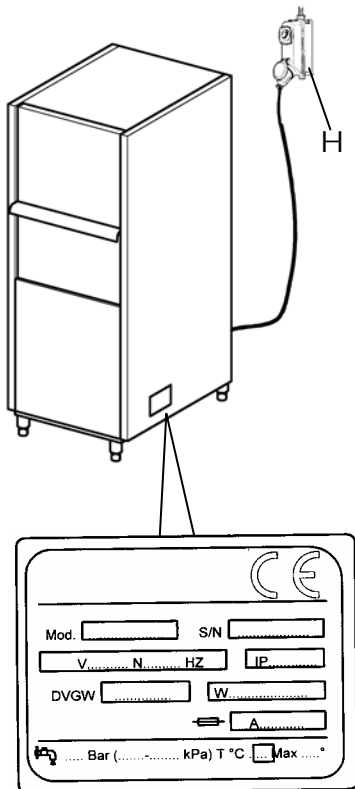


- La movimentazione deve avvenire con rigorosa cura a mezzo di carrello elevatore.
- Verificare l'integrità dell'apparecchiatura, in caso di danneggiamenti visibili, informare immediatamente il venditore ed il trasportatore che ne ha effettuato il trasporto. In caso di dubbio non utilizzare l'apparecchiatura fino a quando la stessa non sarà stata controllata da personale specializzato.
- Trasportare la macchina nel luogo previsto per l'installazione, liberandola dall'imballo.


Gli elementi dell'imballo (esempio: sacchetti di plastica, polistirolo espanso, chiodi, etc. ...) non devono essere lasciati alla portata dei bambini in quanto fonte di potenziale pericolo.

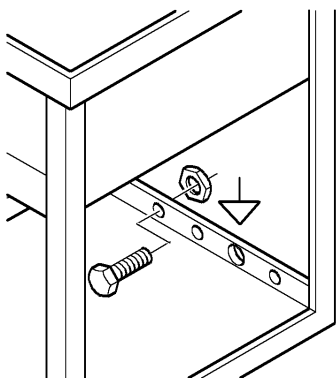


- L'installazione deve essere effettuata secondo le istruzioni del costruttore e da personale professionalmente qualificato.
- Questo apparecchio è adatto solo ad un allacciamento fisso.
- Mettere in posizione la macchina curandone il perfetto livellamento regolando i piedini.
- La pavimentazione dovrà essere dimensionata tenendo conto del peso complessivo della macchina.
- Seguendo le indicazioni riportate sullo schema di installazione della macchina predisporre, nel locale di lavaggio, gli impianti di alimentazione elettrica, approvvigionamento idrico e di scarico.



2.2 COLLEGAMENTO ELETTRICO

1. Il collegamento alla rete elettrica dovrà essere effettuato mediante un interruttore generale (**H**) e deve essere di tipo onnipolare, che interrompa tutti i contatti incluso il neutro, con distanza tra i contatti aperti di almeno 3 mm. con scatto magnetotermico di sicurezza od accoppiato a dei fusibili in grado di sopportare la corrente massima indicata in targa.
2. Accertarsi che la tensione e frequenza della rete elettrica siano corrispondenti a quelli della targhetta riportante le caratteristiche tecniche posta sul fianco destro della macchina.
3. Un efficace impianto di messa a terra, imposto dalle vigenti norme di prevenzione, è una garanzia di sicurezza per l'operatore e l'apparecchiatura.
4. È assolutamente vietato l'uso di adattatori, prese multiple e prolunghie.
5. L'apparecchiatura deve inoltre essere inclusa in un sistema equipotenziale, il cui collegamento viene effettuato mediante una vite contrassegnata dal simbolo . Il conduttore equipotenziale deve avere una sezione di 10 mm².



Il cavo di alimentazione, in dotazione, potrà essere sostituito solo con un altro di uguale sezione del tipo H07RN-F.

Per ulteriori informazioni consultare lo schema elettrico allegato.

2.3 COLLEGAMENTO IDRAULICO

Predisporre il locale secondo lo schema idraulico allegato.

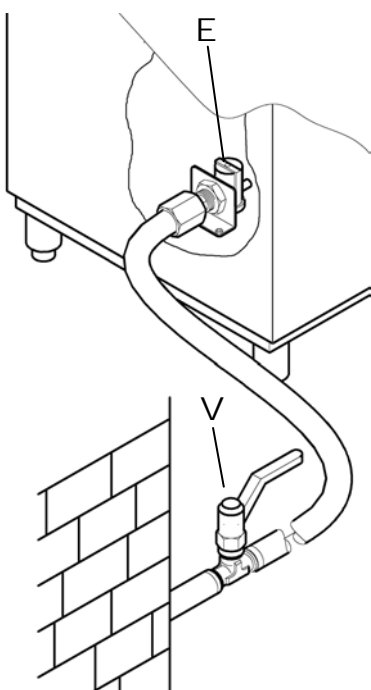
Prima di collegare l'apparecchio accertarsi che tra la rete di alimentazione idrica e l'apparecchio sia stata interposta una valvola a saracinesca che permetta di poter interrompere l'alimentazione in caso di necessità o di riparazione.

Mediante il tubo flessibile in dotazione collegare l'elettrovalvola (**E**) di carico alla valvola a saracinesca (**V**), assicurarsi che la portata di alimentazione non sia inferiore a 20 l/min.

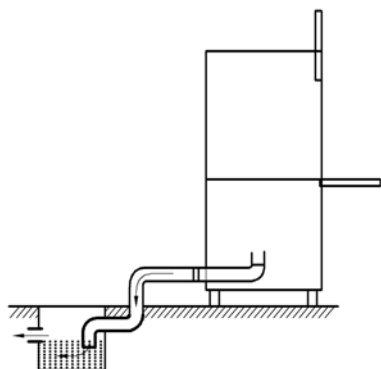
Accertarsi che la temperatura e pressione dell'acqua di alimentazione sia corrispondente a quanto riportato nella targhetta caratteristiche tecniche.

Nel caso in cui la durezza dell'acqua dovesse risultare superiore a quanto indicato in tabella, consigliamo di installare un decalcificatore a monte della elettrovalvola di alimentazione della macchina.

Nel caso di concentrazioni molto alte di minerali residui nell'acqua di conducibilità elevate consigliamo l'installazione di un impianto di demineralizzazione tarato per avere una durezza residua come da tabella qui di seguito riportata.



	Caratteristiche		Da	A
Durezza	Gradi francesi	f	5	10
	Gradi tedeschi	°dH	4	7'5
	Gradi inglesi	°e	5	9,5
Minerali residui	Parti per milione	ppm	70	140
	Massimo	mg/l	300/400	



2.4 COLLEGAMENTO ALLA LINEA DI SCARICO

Lo svuotamento della vasca avviene per gravità, quindi lo scarico deve essere situato ad un livello inferiore alla base della macchina

Il codolo di scarico deve essere collegato mediante tubo flessibile ad un pozzetto o piletta sifonata ricavata nel pavimento.

Le dimensioni dello scarico della macchina sono riportate nello schema installazione.

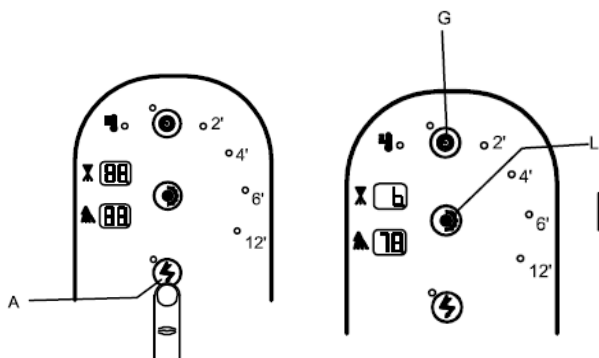
CAP.3 IMPOSTAZIONI E REGOLAZIONI

3.1 REGOLAZIONE DELLE TEMPERATURE DI ESERCIZIO

E' possibile regolare le temperature di riscaldamento acqua boiler (acqua di risciacquo) e o la temperatura della vasca di lavaggio.

Set temperatura risciacquo boiler:

accendere la macchina mantenere premuto il pulsante di linea on /off "A" per alcuni secondi fino a che non compare la scritta "b " " 78 °C" . Aumentare o diminuire il set mediante i pulsanti G e L.



Set temperatura vasca lavaggio :

Premere successivamente il pulsante A e visualizzare la scritta " t " "55" regolare mediante i pulsanti G e L.



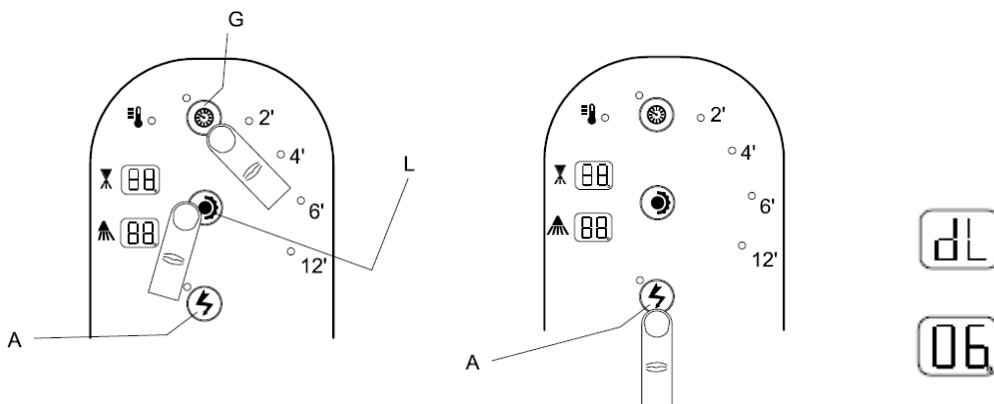
Impostare la temperatura è sufficiente mantenere premuto il pulsante A per tornare alla condizione precedente.

3.2 REGOLAZIONE DELLA QUANTITÀ DEI DETERGENTI

E' possibile impostare le quantità dei detersivi agendo sul tempo di accensione dei dosatori detersivi.

Detergente

Accedere al menù programmazione nel seguente modo: Aprire una delle porte, mantenere premuto contemporaneamente per alcuni secondi i pulsanti G e L fino a visualizzare la scritta "tH" successivamente premere il pulsante A fino a visualizzare "dL" nel primo quadrante.



Nel secondo quadrante viene visualizzato il valore impostato in secondi, è possibile aumentare o diminuire il tempo di accensione mediante i pulsanti L e G .

Nota : il punto indica il ½ secondo.

Brillantante

Dopo aver regolato il detersivo, premere di nuovo il pulsante "A" per passare alla voce successiva e visualizzare "bL" brillantante. Aumentare o diminuire il tempo di accensione mediante i pulsanti "L" e "G".



3.3 MESSAGGI UTENTE

Messaggio display	Descrizione funzione.
do	Uno degli sportelli macchina è aperto.
b	Temperature acqua risciacquo
t	Temperatura acqua lavaggio

3.4 MESSAGGI ERRORI

La macchina è in grado di riconoscere varie situazioni di mal funzionamenti.
Ecco una breve descrizione di cosa fare se il display mostra ERR

Visualizz. display	Allarme	Descrizione anomalia riscontrata.
Er 02	Mancato scarico	Controllare le tubature di scarico e verificare che esse non siano ostruite. Per le macchine dotate di "troppopieno" verificare che esso sia tolto. Se il problema persiste è probabile che si tratti della rottura elettropompa scarico, contattare un centro di assistenza.
"Er. 03"	Timeout thermostop	La temperatura del boiler non ha raggiunto il set point entro il prolungamento della fase di lavaggio del ciclo di lavoro. Viene disabilitato il riscaldamento del boiler Contattare l'assistenza tecnica autorizzata
"Er. 04"	Timeout caricamento vasca	Mancato raggiungimento livello acqua in vasca lavaggio. Spegnere ed accendere la macchina e verificare di aver inserito correttamente i troopo-pieni e di aver aperto l'alimentazione d'acqua, in caso contrario contattare l'assistenza tecnica autorizzata
"Er. 05 Er 06"	Sonda vasca aperta	Sonda vasca rotta. Viene inibito il riscaldamento della vasca. Contattare l'assistenza tecnica autorizzata
"Er. 07 Er .08"	Sonda boiler aperta	Sonda boiler rotta . Viene inibito il riscaldamento del boiler. Contattare l'assistenza tecnica autorizzata
"er ht	Temperatura vasca eccessiva	B4 > TempVascaMax. Viene inibito il riscaldamento della vasca
"Er Hb"	Temperatura boiler eccessiva	B2 > TempBoilerMax. Viene inibito il riscaldamento del boiler
"Er sf"	Sicurezza elettromeccanica	E' probabile l'intervento di qualche termostato di sicurezza. Spegnere ed accendere la macchina, se il problema persiste Contattare un centro assistenza tecnica autorizzata.
"Er 09"	Timeout caricamento boiler	Problema con il carico acqua boiler, controllare che l'alimentazione acqua sia correttamente aperta e che la portata della rete idrica sia sufficiente secondo quanto riportato in targa dati macchina. Spegnere ed accendere la macchina se il problema persiste contattare l'assistenza tecnica.
"Er 01"	Risciacquo non effettuato	Il risciacquo delle stoviglie non è stato eseguito correttamente, controllare che gli spruzzatori dei bracci di risciacquo non siano otturati. Se il problema persiste , contattare l'assistenza tecnica.

"Er SL"	Sicurezza livello	Problema con lo scarico acqua. L'elettropompa di scarico non ha effettuato correttamente lo scarico. Controllare le tubature dello scarico se il problema persiste contattare l'assistenza tecnica.
"Er rb"	Tentativo di reset errore 09	La macchina visualizza questo messaggio quando effettua un tentativo di risoluzione problema carico boiler.
"Er 22"	Timeout termostop vasca	Problema con il riscaldamento acqua boiler. Contattare un centro di assistenza tecnica.
"no ns"	Mancanza sale (warning)	(macchine dotate di addolcitore acqua). Aggiungere sale nell'apposito serbatoio posto in vasca di lavaggio
"no dn"	Mancanza detergente (warning)	
"no bn"	Mancanza brillantante (warning)	
"no na"	Manutenzione addolcitore (warning)	(macchine dotate di addolcitore acqua esterno) Effettuare una rigenerazione delle resine.
"no 13"	Break tank vuota (warning)	Se il messaggio compare spesso controllare che la portata della rete idrica sia corretta secondo quanto richiesto dalla macchina.

Attenzione: Lo spegnimento e la successiva accensione della macchina "resetta" la segnalazione che successivamente si ripresenterà se il problema non si è risolto.

CAP.4 RACCOMANDAZIONI DI SICUREZZA



4.1 RISCHI RESIDUI E AVVERTENZA

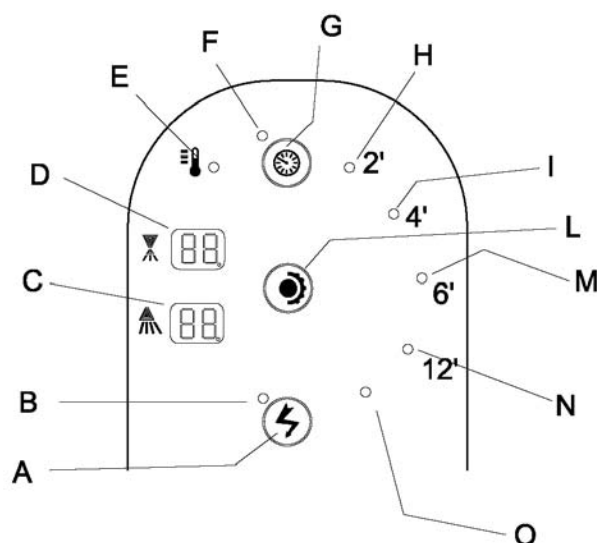
- Non aprire mai velocemente la porta della macchina se non ha finito il ciclo.
- Non immergere mai le mani nude nelle soluzioni di lavaggio.
- Non rimuovere mai i pannelli macchina se non si è prima provveduto a scollegare l'alimentazione a monte.
- Il personale specializzato che effettua l'installazione e l'allacciamento elettrico, è tenuto ad istruire adeguatamente l'utente circa il funzionamento dell'apparecchio e le eventuali misure di sicurezza da rispettare.
- L'installatore dovrà inoltre dare all'utente dimostrazioni pratiche sul modo di utilizzo e dovrà rilasciargli le relative istruzioni scritte che vengono fornite assieme all'apparecchio stesso.
- **Questo apparecchio dovrà essere destinato solo all'uso per il quale è stato espressamente concepito. Ogni altro uso è da considerarsi improprio e quindi pericoloso.**
- La macchina non deve essere utilizzata da personale non addestrato.
- Non utilizzare mai la macchina senza protezioni (microinterruttori, pannelli od altro) predisposte dal costruttore .
- Non utilizzare mai la macchina per lavare oggetti di forma, tipo, misura, o materiale non compatibili con quanto indicato dal costruttore.
- L'eventuale riparazione della macchina dovrà essere effettuata solamente dalla casa costruttrice o da un centro di assistenza autorizzato utilizzando esclusivamente ricambi originali.
- Il mancato rispetto di quanto sopra può compromettere la sicurezza dell'apparecchio.
- La macchina non deve rimanere sotto tensione quando non viene utilizzata.
- Il detersivo deve essere di tipo industriale, liquido a schiuma frenata.

4.2 NORMALI CONDIZIONI DI SERVIZIO

Temperatura ambiente : 40°Cmax /4°Cmin (media 30°C)
Altitudine : fino a 2000 metri
Umidità relativa : Max 30% a 40°C / max 90% a 20°C
Trasporto e deposito : tra -10°C e 55°C con picco fino a 70°C (per max 24 ore)

CAP.5 USO DELLA MACCHINA

5.1 DESCRIZIONE COMANDI



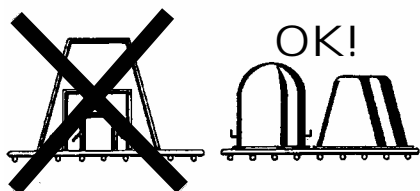
Pulsante / segnalazione	Funzione
A	Pulsante di on /off macchina
B	Spia linea on
C	Display temperatura lavaggio
D	Display temperatura risciacquo
E	Spia segnalazione macchina pronta
F	Spia ciclo in corso
G	Pulsante start ciclo
H	Spia programma 2' selezionato
I	Spia programma 4' selezionato
L	Pulsante scelta programma lavaggio
M	Spia programma 6' selezionato
N	Spia programma 12' selezionato
O	Spia mancanza detergente

5.2 MODO D'USO

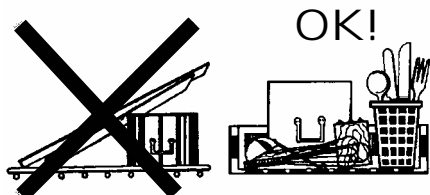
Fare riferimento alla figura di pag. 9

- 1) Assicurarsi di aver inserito il troppopieno e i filtri in vasca successivamente controllare i livelli dei detergenti e l'apertura acqua alimentazione..
 - 2) Premere il pulsante A, la spia B si accende, la macchina carica e riscalda l'acqua.
 - 3) Quando la macchina sarà carica e pronta per l'utilizzo la spia A si illumina di verde,
 - 4) Scegliere il programma lavaggio mediante il pulsante L .
 - 5) Inserire un cestello carico di oggetti da lavare (**vedi cap 5.3 carico cestelli**)
 - 6) Chiudere la porta ed avviare il lavaggio mediante il pulsante G
- ATTENZIONE: e' possibile arrestare il lavaggio in ogni momento mediante il pulsante G o addirittura spegnere mediante il pulsante A.**
- 7) Noterete che la spia F adiacente al pulsante di start si illumina e la spia del programma lavaggio selezionato lampeggia.
 - 8) Quando il lavaggio sarà terminato la spia F si spegne e la spia del programma selezionato si accende in modo fisso.
 - 9) A fine servizio spegnere la macchina mediante il pulsante 1 e seguire le indicazioni riportate nel capitolo “ **5.4 Operazioni di fine servizio**”.
-

5.3 CARICO CESTELLI

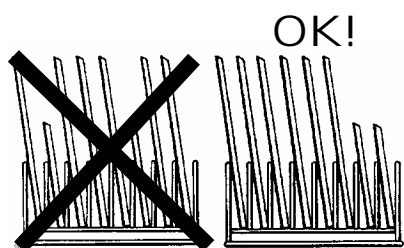


- Non immergere le mani nude nella lisciva di lavaggio, posizionare le tazze e i bicchieri rovesciati nei cestelli. Inserire i piatti nell'apposito cestello dotato di dita di supporto con la superficie interna rivolta verso l'alto.



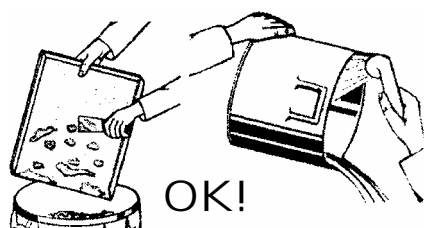
- Mettere le posate ed i cucchiari da caffè, con l'impugnatura rivolta verso il basso.

- Non sistemare posate d'argento e d'acciaio inossidabile nello stesso cestello portaposate. Ne risulterebbe la brunitura dell'argento e la probabile corrosione dell'acciaio inossidabile.



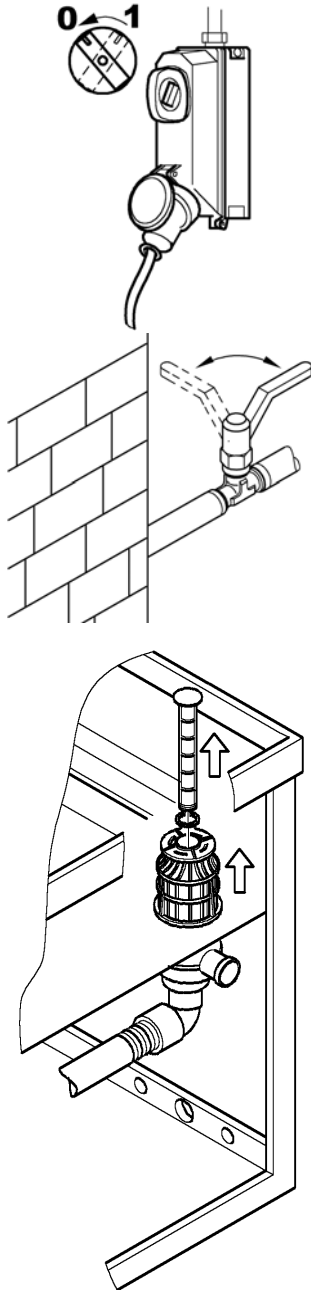
- Utilizzare i cestelli specifici appositamente concepiti per il diverso tipo di stoviglie (piatti, bicchieri, tazze, posate, ecc.). Per risparmiare detersivo ed energia elettrica, lavare solo cestelli completi, senza però sovraccaricarli. Evitare ogni sovrapposizione di stoviglie.

Al fine di ridurre al minimo la manutenzione, **RACCOMANDIAMO UNA PULIZIA PREVENTIVA** delle stoviglie. La rimozione di resti di cibo, bucce di limone, stuzzicadenti, noccioli d'oliva, ecc., che potrebbero parzialmente ostruire il filtro della elettropompa, diminuendo l'efficacia del lavaggio, migliorerà in modo sostanziale la qualità del risultato finale.



E' consigliabile lavare le stoviglie prima che i residui di cibo possano essiccare sulle loro superfici. In caso di sporco indurito, sarà opportuno effettuare un trattamento di ammollo prima di introdurre stoviglie e posate nella macchina.

5.4 OPERAZIONI DI FINE SERVIZIO



- Togliere tensione alla macchina.
- Aprire la porta ed estrarre il cestello con le stoviglie pulite.
- Scaricare l'acqua della vasca sollevando il troppopieno.
- Disinserire l'interruttore generale a monte dell'apparecchiatura.
- Chiudere la valvola a saracinesca per il collegamento idraulico.
- Togliere i filtri, pulirli sotto un getto d'acqua con una spazzola in nylon.
- Prestare attenzione a non fare cadere i residui di sporco depositati sul fondo del filtro pompa scarico all'interno della vasca. Pulire la vasca con un getto d'acqua moderato. Lavare le superfici esterne, quando sono fredde con prodotti non abrasivi appositamente formulati per la manutenzione dell'acciaio.

NOTA: Non lavare l'apparecchio con getti diretti o ad alta pressione poiché eventuali infiltrazioni ai componenti elettrici potrebbero pregiudicare il regolare funzionamento dell'apparecchio e dei singoli sistemi di sicurezza, pena la decadenza della garanzia.

CAP.6 MANUTENZIONE

6.1 REGOLE GENERALI

Le macchine sono progettate per ridurre al minimo le esigenze di manutenzione. Le regole che seguono devono essere rispettate in tutti i casi al fine di garantire una lunga durata ed un funzionamento senza inconvenienti.

In ogni caso, dovranno essere rispettate alcune regole generali per tenere le macchine in perfetto ordine di marcia:

- tenere la macchina pulita ed in ordine
- evitare che le riparazioni provvisorie o d'urgenza diventino sistematiche

La rigorosa osservanza delle regole di manutenzione periodica è estremamente importante; tutti gli organi della macchina devono essere regolarmente controllati al fine di evitare che si verificano eventuali anomalie prevedendo così i tempi necessari per l'eventuale intervento di manutenzione.

Prima di effettuare le operazioni di pulizia staccare l'alimentazione elettrica all'apparecchiatura.

6.2 MANUTENZIONE PERIODICA (da effettuarsi minimo ogni 20 giorni)

Per agevolare le operazioni che seguono può essere tolto dalla propria sede il telaio portacestelli.

- Smontare i bracci di risciacquo superiore ed inferiore, svitando il nottolino di fissaggio.
- Pulire tutti gli spruzzi da eventuali ostruzioni e rimontarli al loro posto.
- Smontare i bracci di lavaggio superiore ed inferiori svitando il perno di risciacquo pulirli e risciacquarli.
- Togliere il filtro pompa di lavaggio pulirlo e risciacquarlo.
- Quindi pulire con molta cura la vasca di lavaggio.
- Lasciare la cappotta dell'apparecchio aperta per tutto il periodo di riposo.
- A causa dei sali di calcio e di magnesio presenti nell'acqua, dopo un certo periodo di funzionamento, variabile in funzione alla durezza dell'acqua, sulle superfici interne della vasca del boiler e delle tubazioni si forma un incrostazione calcarea che può pregiudicare il buon funzionamento dell'apparecchio.
- Si dovrà pertanto provvedere alla periodica disincrostazione, che si consiglia di far eseguire da personale tecnicamente qualificato.
- Qualora l'apparecchio dovesse rimanere inattivo per un lungo periodo, oliare le superfici in acciaio con olio di vasellina.
- Nel caso di pericolo di formazione di ghiaccio, fare scaricare, da personale tecnicamente qualificato l'acqua dal boiler e dalla pompa di lavaggio.
- In caso di malfunzionamento o di guasti, rivolgersi esclusivamente ad un centro di assistenza tecnica autorizzato dal costruttore dell'apparecchiatura o dal suo Concessionario.



CAP.7 SMANTELLAMENTO

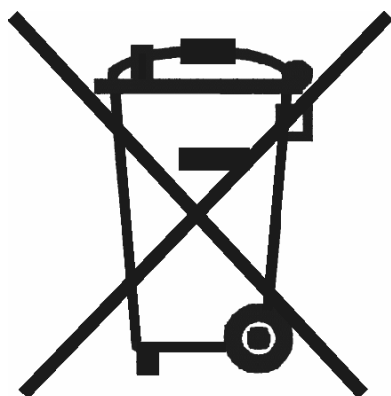
7.1 SMANTELLAMENTO DELLA MACCHINA

Sulle nostre macchine non esistono materiali che richiedono particolari procedure di smaltimento.

7.2 CORRETTO SMALTIMENTO DEL PRODOTTO

(rifiuti elettrici ed elettronici)

(Applicabile nei paesi dell'Unione Europea e in quelli con sistema di raccolta differenziata)



il marchio riportato sul prodotto o sulla sua documentazione indica che il prodotto non deve essere smaltito con rifiuti domestici al termine del ciclo di vita. Per evitare eventuali danni all'ambiente o alla salute causati dall'inopportuno smaltimento dei rifiuti, si invita l'utente a separare questo prodotto da altri tipi di rifiuti e di riciclarlo in maniera responsabile per favorire il riutilizzo sostenibile delle risorse materiali.

Gli utenti domestici sono invitati a contattare il rivenditore presso il quale il prodotto o l'ufficio locale preposto per tutte le informazioni relative alla raccolta differenziata e il riciclaggio per questo tipo di prodotto.

Gli utenti aziendali sono invitati a contattare il proprio fornitore e verificare i termini e le condizioni del contratto di acquisto. **Questo prodotto non deve essere smaltito unitamente ad altri rifiuti commerciali.**

INDÍCE

CAP.1	INTRODUCCIÓN	3
CAP.2	INSTALACIÓN	3
2.1	MANEJO Y DESEMBALAJE	3
2.2	CONEXIÓN ELÉCTRICA.....	4
2.3	CONEXIÓN HIDRÁULICA.....	4
2.4	CONEXIÓN AL DESAGÜE.....	5
CAP.3	PROGRAMACIONES Y REGULACIONES	5
3.1	REGULACIÓN DE LAS TEMPERATURAS DE EJERCICIO.....	5
3.2	REGULACIÓN DE LA CANTIDAD DE LOS DETERGENTES	6
3.3	MENSAJES USUARIO.....	7
3.4	MENSAJES ERRORES	7
CAP.4	RECOMENDACIONES DE SEGURIDAD	8
4.1	RIESGOS RESIDUALES Y ADVERTENCIAS	8
4.2	ESTADOS NORMALIDAD SERVICIO.....	8
CAP.5	USO DE LA MÁQUINA	9
5.1	DESCRIPCIÓN MANDOS	9
5.2	MODO DE USO	10
5.3	DISPOSICIÓN DEL LAVAVAJILLAS	11
5.4	OPERACIONES DE CONCLUSIÓN.....	12
CAP.6	MANUTENCION	13
6.1	NORMAS GENERALES	13
6.2	MANUTENCIÓN PERIÓDICA (hay que efectuarla como mínimo cada 20 días)	13
CAP.7	DESARME	14
7.1	DESARME DE LA MÁQUINA.....	14
7.2	ELIMINACIÓN CORRECTA DE ESTE PRODUCTO.....	14

CAP.1 INTRODUCCIÓN

Las observaciones de este manual contienen indicaciones importantes referentes a la seguridad de las distintas fases: la instalación, el empleo y la manutención.

El usuario tendrá que leer obligatoriamente el presente manual antes de empezar cada operación concerniente al movimiento, la instalación, el uso, la manutención y el apagado de la misma máquina; así pues es necesario conservarlo íntegramente en el tiempo, colocándolo en un sitio seguro y realizar diversas copias para su frecuente consultación.

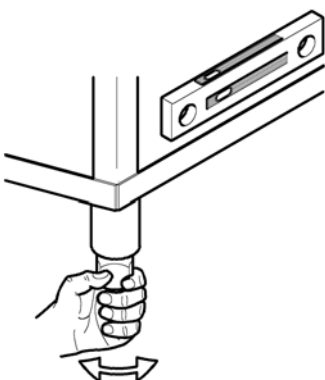
CAP.2 INSTALACIÓN

2.1 MANEJO Y DESEMBALAJE



- El manejo debe realizarse con gran cuidado por medio de una máquina elevadora.
- Verificar la integridad del aparato, y, en el caso de daños visibles, informar inmediatamente al vendedor y al transportista que haya efectuado el transporte. En caso de duda no utilizar el aparato hasta que no haya sido controlado por el personal especializado.
- Transportar la máquina al lugar previsto para su ubicación y desembalarla.

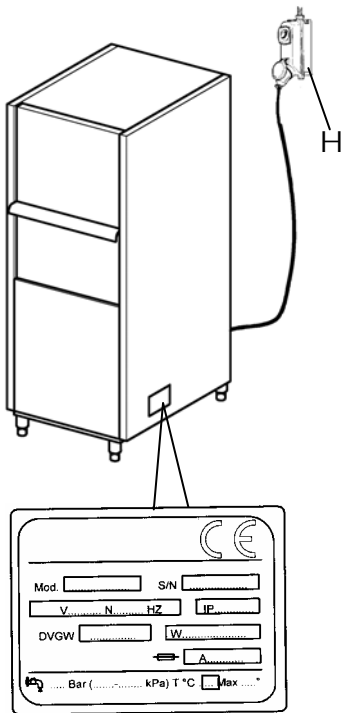
Los elementos del embalaje (bolsas de plástico, poliuretano expandido, clavos, etc....) no deben dejarse al alcance de los niños, pues constituyen un peligro potencial.




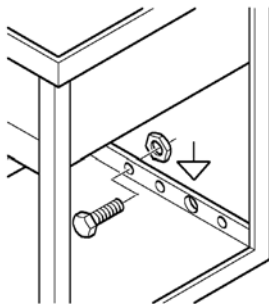
- La instalación debe ser realizada según las instrucciones del constructor y por el personal profesionalmente calificado.
- Este aparato está apto únicamente por una conexión fija.
- Posicionar el aparato teniendo en cuenta que debe quedar perfectamente nivelado regulando las patas.
- La pavimentación deberá tener en cuenta el peso global del aparato.
- Siguiendo las indicaciones del esquema de la instalación del aparato disponer, en la zona de lavado, las instalaciones de alimentación eléctrica, abastecimiento hídrico y desagüe.



2.2 CONEXIÓN ELÉCTRICA



1. La conexión a la red se efectuará mediante un interruptor general (**H**) Debe ser de tipo omnipolar, que interrumpa todos los contactos, incluido el neutro, con una distancia entre los contactos abiertos de almenos 3 mm., con desconexión magnetotérmica de seguridad o acoplado a fusibles en grado de soportar la corriente máxima indicada en la placa.
2. Asegurarse que la tensión y la frecuencia a la red eléctrica correspondan a las de la placa que contiene las características técnicas y que se encuentra en el lado derecho del aparato.
3. Una eficaz conexión a tierra, obligatoria según las normas de prevención en vigor, es una garantía de seguridad para el usuario y el aparato.
4. Está totalmente prohibido el uso de adaptadores, tomas múltiples y alargadores.
5. El aparato debe incluirse además en un sistema equipotencial, cuya conexión se realice mediante un tornillo indicado con el símbolo.  El conductor equipotencial debe tener una sección de 10 mm².



El cable de alimentación, en dotación, solamente podrá substituirse por otro del mismo espesor de tipo HR7RN-F.

Para mayor información consultar el esquema eléctrico anexo.

2.3 CONEXIÓN HIDRÁULICA

Preparar el local según el esquema hidráulico anexo.

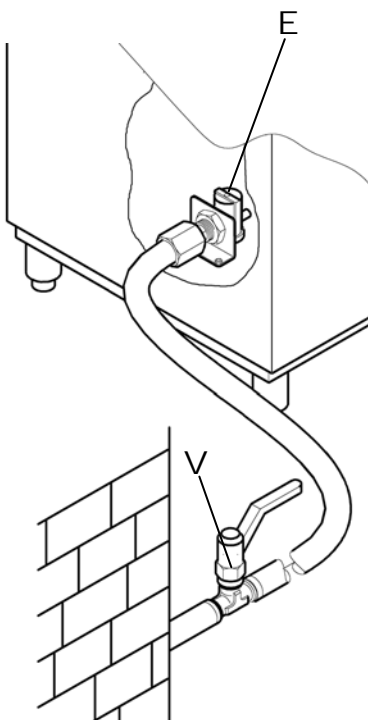
Antes de conectar el aparato, asegurarse que entre la red de alimentación hidráulica y el aparato se haya intercalado una válvula a compuerta para poder cortar la alimentación en caso de necesidad o reparación.

Mediante un tubo flexible conectar la electroválvula (**E**) de carga a la válvula a compuerta (**V**), comprobando que la capacidad de alimentación no sea inferior a 20l/min.

Asegurarse que la temperatura y presión del agua de la alimentación corresponda a lo referido en la placa de las características técnicas.

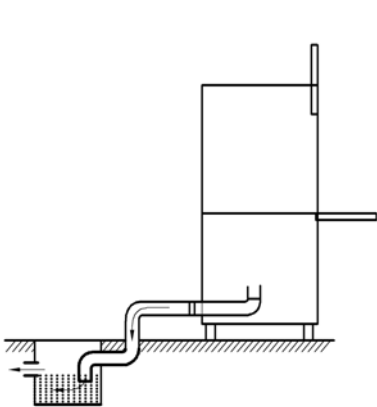
En el caso de que la dureza del agua fuese superior a la indicada en el cuadro, se aconseja instalar una descalcificadora arriba en la electroválvula de alimentación de la máquina.

En el caso de concentración muy elevada en el agua de residuos minerales de alta conducibilidad, aconsejamos una



instalación de un desmineralizador tarado para obtener una dureza residua como en el cuadro.

	Características		Desde	Hasta
Dureza	Grados franceses	f	5	10
	Grados alemanes	°dH	4	7'5
	Grados ingleses	°e	5	9,5
	Partes de millón	ppm	70	140
Minerales residuos	Máximo	mg/l	300/400	



2.4 CONEXIÓN AL DESAGÜE

Teniendo en cuenta que el vaciado de la cuba se efectua por gravedad, el desagüe debe estar situado en un nivel inferior al de la base de la máquina.

El tubo del desagüe debe conectarse mediante una tubería flexible a un sumidero o arqueta sifónica escabada en el suelo.

Las dimensiones del desagüe de la máquina se encuentran en el esquema de la instalación.

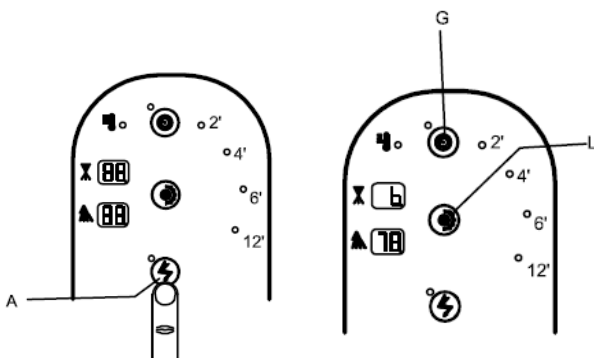
CAP.3 PROGRAMACIONES Y REGULACIONES

3.1 REGULACIÓN DE LAS TEMPERATURAS DE EJERCICIO

Es posible regular las temperaturas de calentamiento agua boiler (agua de enjuague) y/o la temperatura de la cuba de lavado.

Set temperatura enjuague boiler:

encender la máquina manteniendo presionado el pulsador de línea on/off "A" durante algunos segundos hasta que aparece la inscripción "b" " 78 °C" . Aumentar o disminuir el set con los pulsadores G y L.



Set temperatura cuba lavado:

Presionar sucesivamente el pulsador A y visualizar la inscripción "t" "55", regula con los pulsadores G y L.



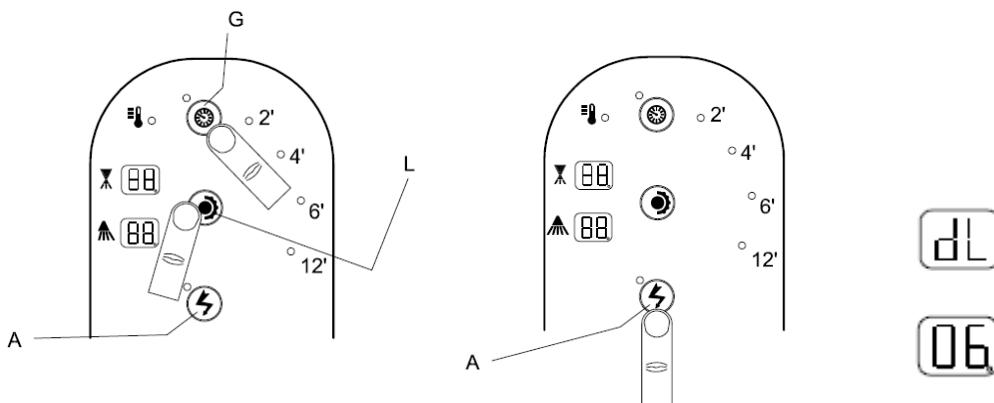
Programar las temperaturas, es suficiente mantener presionado el pulsador A para volver a la condición anterior.

3.2 Regulación de la cantidad de los detergentes

Es posible programar las cantidades de los detergentes operando sobre el tiempo de encendido de los dosificadores detergentes.

Detergente

Acceder al menú programación de la siguiente manera: abrir uno de los portillos, mantener presionado contemporáneamente durante algunos segundos los pulsadores G y L hasta visualizar la inscripción "tH", sucesivamente presionar el pulsador A hasta visualizar "dL" en el primer cuadrante.



En el segundo cuadrante se visualiza el valor programado en segundos, es posible aumentar o disminuir el tiempo de encendido con los pulsadores L y G .

Nota : el punto indica el ½ segundo.

Abrillantador

Después de haber regulado el detergente, presionar nuevamente el pulsador "A" para pasar al ítem sucesivo y visualizar "bL" abrillantador. Aumentar o disminuir el tiempo de encendido con los pulsadores "L" y "G".



3.3 MENSAJES USUARIO

Mensaje display	Descripción función.
do	Uno de los portillos máquina está abierto.
b	Temperaturas agua enjuague.
t	Temperatura agua lavado.

3.4 MENSAJES ERRORES

La máquina puede reconocer varias situaciones de funcionamiento incorrecto.

Se muestra una breve descripción de que se debe hacer si el display muestra ERR

Visualiz. display	Alarma	Descripción anomalía detectada.
Er 02	No descarga	Controlar las tuberías de descarga y comprobar que no estén obstruidas. Para las máquinas equipadas con "rebosadero" comprobar que este haya sido removido. Si el problema continua, es probable que se trate de una avería en la bomba eléctrica de descarga, ponerse en contacto con un centro de asistencia.
"Er. 03"	Timeout termostop	La temperatura del boiler no ha alcanzado el set point dentro de la prolongación de la fase de lavado del ciclo de trabajo. Se deshabilita el calentamiento del boiler. Contactar la asistencia técnica autorizada.
"Er. 04"	Timeout carga cuba	No se alcanza el nivel de agua en la cuba de lavado. Apagar y encender la máquina y controlar que se haya conectado correctamente los rebosaderos y haber abierto la alimentación de agua; de no ser así, contactar la asistencia técnica autorizada.
"Er. 05 Er 06"	Sonda cuba abierta	Sonda cuba en avería. Se inhibe el calentamiento de la cuba. Contactar la asistencia técnica autorizada.
"Er. 07 Er .08"	Sonda boiler abierta	Sonda boiler rota. Se inhibe el calentamiento del boiler. Contactar la asistencia técnica autorizada.
"er ht	Temperatura cuba excesiva	$B4 > TempCubaMáx.$ Se inhibe el calentamiento de la cuba.
"er Hb"	Temperatura boiler excesiva	$B2 > TempBoilerMáx.$ Se inhibe el calentamiento del boiler.
"er sf"	Seguridad electromecánica	Es probable la activación de algún termostato de seguridad. Apagar y encender la máquina, si el problema persiste contactar un centro de asistencia técnica autorizada.
"er 09"	Timeout carga boiler	Problema con la carga de agua en el boiler, controlar que el suministro de agua haya sido abierto correctamente y que el caudal de la red de suministro del agua sea suficiente, según lo que se indica en la placa de datos de la máquina. Apagar y encender la máquina, si el problema persiste contactar la asistencia técnica.
"er 01"	Aclarado no efectuado	El aclarado de las vajillas no ha sido efectuado correctamente, controlar que las boquillas de los brazos aspersores no estén obstruidas. Si el problema continua, ponerse en contacto con la asistencia técnica.

"er SL"	Seguridad nivel	Problema con la descarga del agua. La bomba eléctrica de descarga no ha efectuado la descarga correctamente. Controlar las tuberías de la descarga, si el problema persiste ponerse en contacto con la asistencia técnica.
"Er rb"	Intento de reset error 09	La máquina visualiza este mensaje al intentar resolver el problema de carga boiler.
"Er 22"	Timeout termostop cuba	Problema con el calentamiento del agua boiler. Contactar un centro de asistencia técnica.
"no ns"	Falta sal (warning)	(máquinas equipadas con ablandador de agua). Añadir sal en el depósito específico ubicado en la cuba de lavado
"no dn"	Falta detergente (warning)	
"no bn"	Falta abrillantador (warning)	
"no na"	Mantenimiento ablandador (warning)	(máquinas equipadas con ablandador de agua externo) Efectuar una regeneración de las resinas.
"no 13"	Break tank vacío (warning)	Si el mensaje se visualiza a menudo, controlar que el caudal de la red de suministro de agua sea correcto, según los requisitos de la máquina.

Atención: El apagado y el sucesivo encendido de la máquina "resetea" la señalización que sucesivamente se presentará de nuevo si el problema no se ha solucionado

CAP.4 RECOMENDACIONES DE SEGURIDAD



4.1 RIESGOS RESIDUALES Y ADVERTENCIAS

- No abrir nunca rápidamente la puerta de la máquina si no ha terminado el ciclo.
- No sumergir nunca las manos desnudas en la solución del lavado.
- No remover jamás los paneles del aparato sin antes desconectar la alimentación de arriba.
- El personal especializado que efectúa la instalación y la conexión eléctrica, está obligado a instruir correctamente a los usuarios sobre el funcionamiento del aparato y las medidas de seguridad a seguir.
- El instalador debe por lo tanto hacer demostraciones prácticas sobre la forma de utilización y dejar al usuario las instrucciones escritas adjuntas con el aparato.
- **Este aparato deberá utilizarse únicamente para el fin para el cual ha sido concebido. Cualquier otra utilización debe por lo tanto considerarse impropia y peligrosa.**
- La máquina no debe ser utilizada por el personal no cualificado.
- No utilizar nunca la máquina sin las protecciones (microinterruptores, paneles u otros) instaladas por el constructor.
- No utilizar nunca la máquina para lavar los objetos de tipo, forma, medidas o materiales no compatibles con los indicados por el constructor.
- La reparación eventual de la máquina la realizará solamente el constructor o un centro post-venta autorizado, utilizando exclusivamente repuestos originales.
- El incumplimiento de lo arriba mencionado puede comprometer la seguridad del aparato.
- La máquina no debe quedar bajo tensión cuando no se utiliza.
- El detergente tiene que ser de tipo industrial, de espuma frenada.

4.2 ESTADOS NORMALIDAD SERVICIO

Ambiental Temperatura : average 30°C)

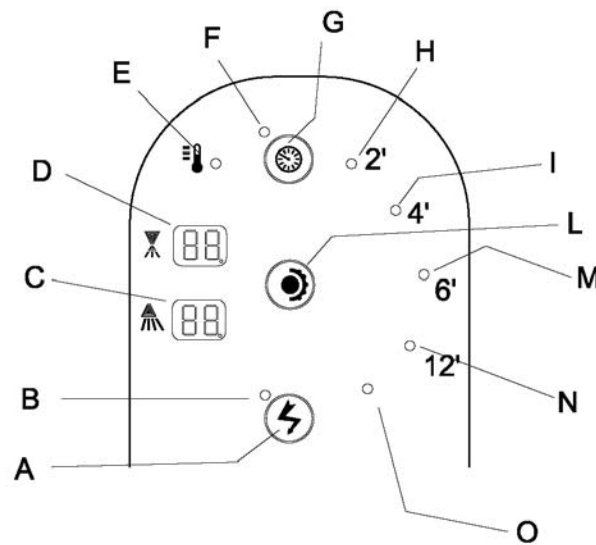
Elevación : hasta que 2000 metrical

Relativo humedad : max 30% sobre max 90% sobre 20°C

Transporte y Almacenamiento : entre 10°C y 55°C con paz hasta que 70°C (max 24h)

CAP.5 USO DE LA MÁQUINA

5.1 DESCRIPCIÓN MANDOS



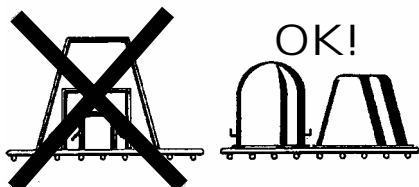
Pulsador / señalización	Función
A	Pulsador de on /off máquina.
B	Testigo línea on.
C	Display temperatura lavado.
D	Display temperatura enjuague.
E	Testigo señalización máquina lista.
F	Testigo ciclo en curso.
G	Pulsador start ciclo.
H	Testigo programa 2' seleccionado.
I	Testigo programa 4' seleccionado..
L	Pulsador selección programa lavado.
M	Testigo programa 6' seleccionado.
N	Testigo programa 12' seleccionado.
O	Testigo falta detergente

5.2 MODO DE USO

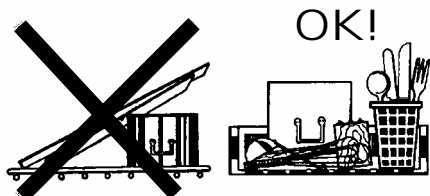
Consultar la figura de pág. 9

- 1) Asegurarse de haber conectado el rebosadero y los filtros en la cuba, luego controlar los niveles de los detergentes y la apertura del agua de alimentación..
 - 2) Presionar el pulsador A, el testigo B se enciende, la máquina carga y calienta el agua.
 - 3) Cuando la máquina esté cargada y lista para el uso, el testigo A se ilumina de color verde.
 - 4) Seleccionar el programa lavado con el pulsador L .
 - 5) Introducir una canasta de carga con los objetos que se desean lavar (**consultar cap. 6.3 carga canastas**).
 - 6) Cerrar el portillo y empezar el lavado mediante el pulsador G.
- ATENCIÓN: es posible parar el lavado en todo momento con el pulsador G o directamente apagando con el pulsador A.**
- 7) Se notará que el testigo F, que se encuentra a un lado del pulsador de start, se ilumina y el testigo del programa lavado seleccionado destella.
 - 8) Cuando el lavado finalice el testigo F se apaga y el testigo del programa seleccionado se enciende de manera fija.
 - 9) Al finalizar el servicio apagar la máquina con el pulsador 1 y seguir las indicaciones indicadas en el capítulo “ **6.4 Operaciones de final de servicio**”.
-

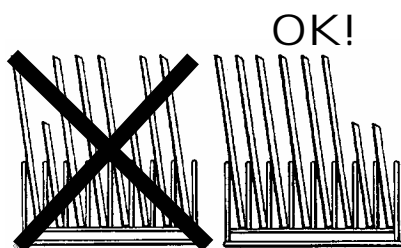
5.3 DISPOSICIÓN DEL LAVAVAJILLAS



- No poner las manos desnudas en la lejía de lavado, se pongan las tazas y los vasos volcados en los canastillos. Insértense los platos en el canastillo al efecto, que está dotado de dedos de apoyo, con la superficie interior dirigida hacia arriba.

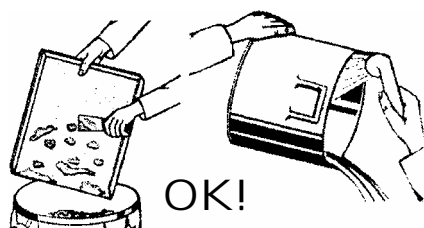


- Colóquense los cubiertos y las cucharillas de café con los mangos dirigidas hacia abajo.
- No se deben colocar cubiertos de plata y de acero inoxidable en el mismo canastillo portacubiertos. El resultado sería que la plata quedaría bruida y el acero inoxidable probablemente corroído.



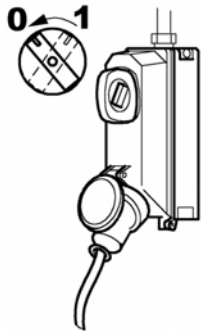
- Empléense los canastillos específicos expresamente estudiados para las distintas clases de vajilla (platos, vasos, tazas, cubiertos, etc.). Para ahorrar detergente y energía eléctrica, lávense solamente canastillos completos, pero sin sobrecargarlos. Evítense cualquier superposición de vajilla.

Para reducir la manutenzione al mínimo, **SE RECOMIENDA LA LIMPIEZA PREVIA** de la vajilla. La remoción de restos de comida, cáscaras de limón, palillos, huesos de aceituna, etc., que podrían atascar parcialmente el filtro de la electrobomba, disminuyendo la eficacia del lavado, mejorará de manera considerable la calidad del resultado final.

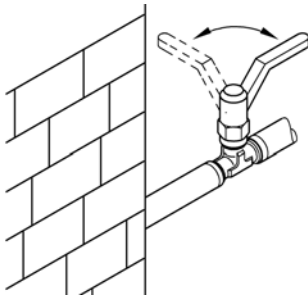


Es aconsejable lavar la vajilla antes que los restos de comida puedan secarse en su superficie. Caso de haber suciedad endurecida, será oportuno mojarla previamente, antes de introducir vajilla y cubiertos en el aparato.

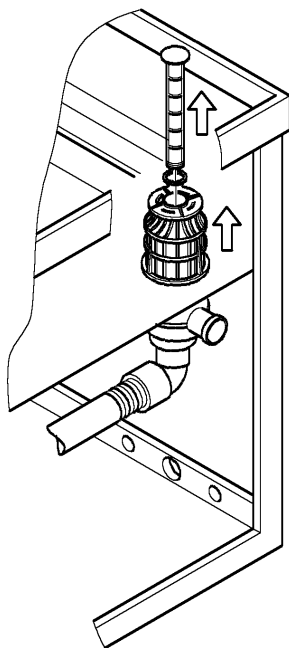
5.4 OPERACIONES DE CONCLUSIÓN



- Desconectar el lavavajillas
- Abrir la puerta y extraer el cestillo con la vajilla limpia.
- Descargar el agua del depósito levantando el demasiado lleno. Para los modelos de bomba de descarga apoyarse en las operaciones descritas en el párrafo «Instrucciones de uso».



- Desconectar el interruptor general del aparato.
- Cerrar la válvula a cortina para la conexión hidráulica.
- Quitar los filtros y limpiarlos debajo de un chorro de agua con un cepillo de nylon.



- Cuidar que no caigan dentro del depósito los restos de basura depositados en el fondo del filtro de la bomba de descarga. Aclarar el depósito con un chorro moderado de agua. Lavar las superficies externas cuando se enfrien con productos no abrasivos para la conservación del acero.

NOTA: No lavar el lavavajillas con chorros directos o a alta presión porque pueden dañar los componentes eléctricos al infiltrarse el agua, pudiendo perjudicar el buen funcionamiento del aparato y de los sistemas de seguridad, perdiendo así el derecho a la garantía.

CAP.6 MANUTENCION

6.1 NORMAS GENERALES

Las máquinas se han proyectado para reducir al mínimo las necesidades de manutención. Se tienen que respetar siempre las reglas que van a continuación para garantizar una mayor duración y un funcionamiento sin inconvenientes.

Además se tienen que respetar algunas reglas generales para mantener las máquinas en perfecto orden de marcha:

- mantener la máquina limpia y en orden
- evitar que las reparaciones provisionales o de urgencia lleguen a ser sistemáticas

La rigurosa observancia de las reglas de manutención periódica es extremadamente importante; hay que controlar regularmente todos los órganos de la máquina para evitar que se ocasionen eventuales averías, previendo de esta manera los tiempos y los medios necesarios para realizar eventuales operaciones de manutención.

Antes de efectuar las operaciones de limpieza desconectar el aparato de la alimentación eléctrica.

6.2 MANUTENCIÓN PERIÓDICA (hay que efectuarla como mínimo cada 20 días)

Para facilitar las operaciones siguientes se puede quitar el armazón apoyacestos.

Desmontar los brazos del aclarado superior e inferior, desenroscando el seguro que lo fija.

Desatornillense y límpiense todos los rociadores y se vuelvan a montar en su sitio.

- Desmontar los brazos del lavado superior e inferior desenroscando el perno del aclarado limpiarlos y aclararlos.
 - Quítese el filtro de la bomba de lavado, límpiense y enjuáguese.
 - A continuación, límpiense con mucha atención el tanque de lavado.
 - Déjese abierta la tapa del aparato durante todo el tiempo de descanso.
 - Como consecuencia de las sales de calcio y de magnesio existentes en el agua, después de cierto periodo de funcionamiento, que varía según el grado de dureza del agua, en las superficies interiores del tanque, del calentador de agua y de
-

las tuberías se forma una incrustación de cal que puede perjudicar el buen funcionamiento del aparato.

- Por lo tanto se tendrá que desprender periódicamente las incrustaciones, un trabajo que se aconseja de confiar a personal técnicamente calificado.
- Caso de que el aparato tuviera que quedar parado durante largo tiempo, hay que lubricar las superficies de acero con aceite de vaselina.
- Caso de haber peligro de formación de hielo, hágase además vaciar, por personal técnicamente calificado, el agua del calentador y de la bomba de lavado.
- **En caso de funcionamiento anómalo o de averías, hay que dirigirse única y exclusivamente a un centro de asistencia técnica autorizado por el constructor del aparato o por su Concesionario.**

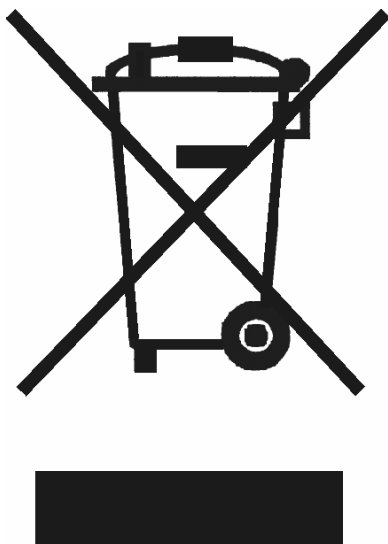


CAP.7 DESARME

7.1 DESARME DE LA MÁQUINA

Nuestras máquinas se construyen con materiales que no requieren especiales procedimientos para su eliminación.

7.2 ELIMINACIÓN CORRECTA DE ESTE PRODUCTO (material eléctrico y electrónico de descarte)



(Aplicable en la Unión Europea y en países con sistemas de recogida selectiva de residuos)

La presencia de esta marca en el producto o en el material informativo que lo acompaña, indica que al finalizar su vida útil no deberá eliminarse junto con otros residuos domésticos. Para evitar los posibles daños al medio ambiente o a la salud humana que representa la eliminación incontrolada de residuos, separe este producto de otros tipos de residuos y recícelo correctamente para promover la reutilización sostenible de recursos materiales.

Los usuarios particulares pueden contactar con el establecimiento donde adquirieron el producto, o con las autoridades locales pertinentes, para informarse sobre cómo y dónde pueden llevarlo para que sea sometido a un reciclaje ecológico y seguro.

Los usuarios comerciales pueden contactar con su proveedor y consultar las condiciones del contrato de compra. Este producto no debe eliminarse mezclado con otros residuos comerciales.

SUMÁRIO

CAP.1	PREFACÇÃO.....	3
CAP.2	INSTALAÇÃO.....	3
2.1	MOVIMENTAÇÃO E DESEMBALAGEM	3
2.2	LIGAÇÃO ELÉTRICA.....	4
2.3	LIGAÇÃO HIDRAULICA.....	4
2.4	CONEXÃO À REDE DE DESCARGA	5
CAP.3	PROGRAMAÇÕES E REGULAÇÕES	5
3.1	REGULAÇÃO DAS TEMPERATURAS DE FUNCIONAMENTO.....	5
3.2	REGULAÇÃO DA QUANTIDADE DOS DETERGENTES	6
3.3	MENSAGENS PARA O UTILIZADOR.....	7
3.4	MENSAGENS DE ERROS.....	7
CAP.4	RECOMENDAÇÕES DE SEGURANÇA	8
4.1	RISCOS E INDICAÇÕES.....	8
4.2	CONDIÇÕES NORMALIDADE SERVIÇO.....	8
CAP.5	USO DA MÁQUINA	9
5.1	DESCRIÇÃO DOS COMANDOS.....	9
5.2	MODO DE USO	10
5.3	DISPOSIÇÃO DA LOUÇA	11
5.4	OPERAÇÕES DE FIM SERVIÇO	12
CAP.6	MANUTENÇÃO	13
6.1	REGRAS GERAIS	13
6.2	MANUTENÇÃO PERIODICA (deve ser feita no mínimo cada 20 dias).....	13
CAP.7	DESMANTELAMENTO	14
7.1	DESMANTELAMENTO DA MÁQUINA.....	14
7.2	ELIMINAÇÃO CORRECTA DESTE PRODUCO.....	14

CAP.1 PREFACÇÃO

As advertências neste manual fornecem importantes indicações acerca da segurança da instalação, o uso e a manutenção. Aconselha-se ler atentamente estas recomendações antes de ligar a máquina e a observá-las cuidadosamente; Guarde com cuidado este manual para qualquer ulterior consultação dos operadores.

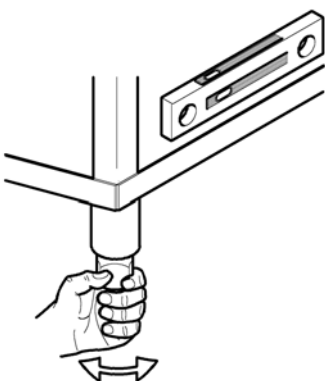
CAP.2 INSTALAÇÃO

2.1 MOVIMENTAÇÃO E DESEMBALAGEM

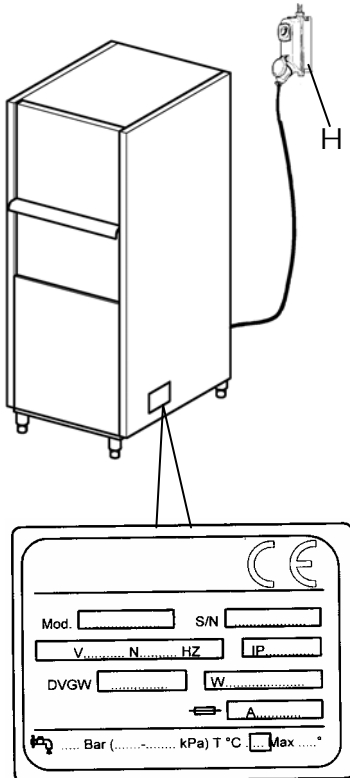


- Movimente as máquinas com muito cuidado por meio dum carro elevador.
- Verificar a integridade do aparelho. Caso houver estragos visíveis, informar imediatamente o vendedor e o transportador que efetuou o transporte. Em caso de dúvida, recomenda-se não utilizar o aparelho até que o mesmo não for controlado por pessoal especializado.
- Transportar a máquina para o local previsto para a sua instalação, retirando a embalagem.


Os elementos da embalagem (saquinhos de plástico, espuma de poliestireno, pregos, etc.) não devem ser deixados ao alcance das crianças por constituírem fonte de potencial perigo.



- A instalação deve ser efectuada de acordo com as instruções do construtor e por pessoal profissionalmente qualificado.
- Este aparelho foi projetado para funcionar somente com uma ligação fixa.
- Atarraxe nos suportes da máquina os pés e colocá-la na correcta posição e nivelá-la atarraxando ou desatarraxando os pés.
- A pavimentação deve levar em conta o peso global da máquina
- Seguindo as indicações enunciadas no esquema dimensional da máquina, preparar, no local de lavagem, as instalações de alimentação eléctrica, de abastecimento hídrico e esvaziamento.



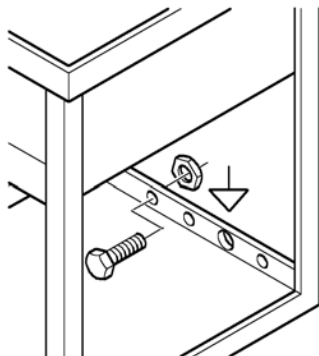
2.2 LIGAÇÃO ELETRICA

1. A conexão à rede deve ser efectuada por meio dum interruptor geral (H) deve ser do tipo omnipolar, que interrompe todos os contatos inclusive o neutro, com a distância entre os contatos abertos de pelo 3mm, com disparo do disjuntor termomagnético de segurança ou acoplado com fusíveis e capaz de suportar a corrente como indicadas na placa da máquina.
2. Antes de juntar o aparelho certifique-se de que tensão e frequência estejam correspondentes aos indicados na placa das características da máquina.
3. Antes de juntar a máquina com rede eléctrica certifique-se que não esteja tensão na linha de alimentação.
4. É rigorosamente proibido o uso de adaptadores, tomadas multiplas e extensoes.
5. Além disso a aparelhagem deve ser incluída num sistema equipotencial, cuja conexão se realiza por meio dum parafuso marcado pelo símbolo . O conductor equipotencial deve ter uma secção de 10 mm².



O cabo de alimentação pode ser substituído somente por um outro de igual secção do género H07RN-F.

Para qualquer esclarecimento consulte a planimetria geral de instalação fornecida à parte.



2.3 LIGAÇÃO HIDRAULICA

Predispor o local de acordo com o esquema hidráulico em anexo

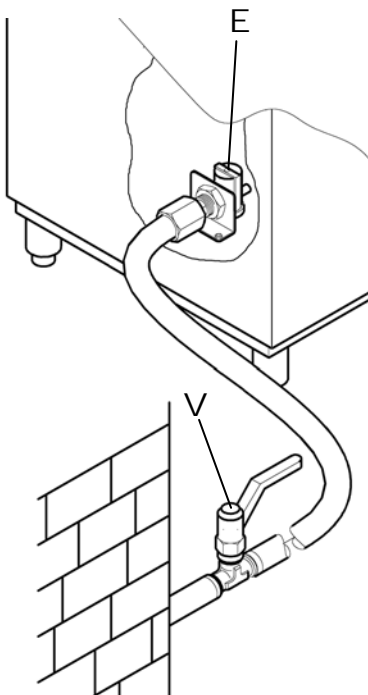
Antes de ligar o aparelho, controlar se entre a rede de alimentação hídrica e o aparelho foi interposta uma válvula de comporta que possibilite interromper a alimentação, se for preciso ou se houver a necessidade de consertos.

Por meio de um tubo flexível, ligar a electroválvula (E) de alimentação a torneira de alimentação (V). A capacidade da tubagem de alimentação da máquina não deverá ser inferior a 20 litros por minuto.

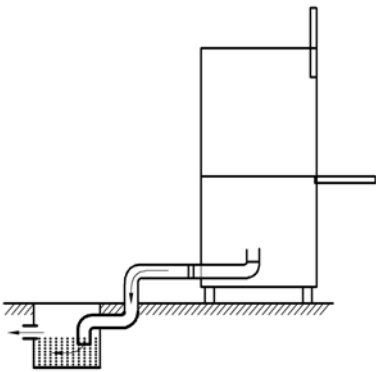
Verificar se a temperatura da água de alimentação corresponde à recomendada na plaqueta das características.

Caso a dureza da água resulte superior a de como tabela, aconselhamos a instalação de um descalcificador a juzante da válvula eléctrica de alimentação da máquina.

No caso de concentrações muito elevadas de minerais resíduos na água, ou de condutibilidades elevadas, aconselhamos a instalação de um equipamento de desmineralização ajustado para ter uma dureza resídua de como tabela.



	Características		Da	A
Dureza	Graus franceses	f	5	10
	Graus alemães	°dH	4	7'5
	Graus ingleses	°e	5	9,5
	Pound/ Squ. Inch	ppm	70	140
Minerais resíduos	Máximo	mg/l	300/400	



2.4 CONEXÃO À REDE DE DESCARGA

Sendo que o esvaziamento do tanque se dá pela gravidade, a descarga deve estar situada a um nível inferior em relação à base da máquina.

A cavilha de descarga deve ser ligada, por meio de um tubo flexível a um recipiente de recolha ou saída com sifão cavada no chão.

Pela posição dos descargos consulte a planimetria geral de instalação fornecida à parte.

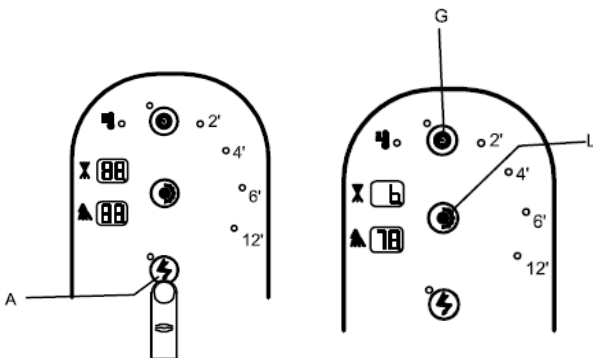
CAP.3 PROGRAMAÇÕES E REGULAÇÕES

3.1 REGULAÇÃO DAS TEMPERATURAS DE FUNCIONAMENTO

É possível regular as temperaturas de aquecimento da água do boiler (água de enxagúe) e ou a temperatura do tanque de lavagem.

Programação da temperatura de enxagúe do boiler:

acender a máquina, manter premido o botão de linha on/off "A" por alguns segundos até que apareça a escrita "b " " 78 °C" . Aumentar ou diminuir a programação através dos botões G e L.



Programação da temperatura do tanque de lavagem:

Premir em seguida o botão A e visualizar a escrita “ t ” “55”, regular através dos botões G e L.



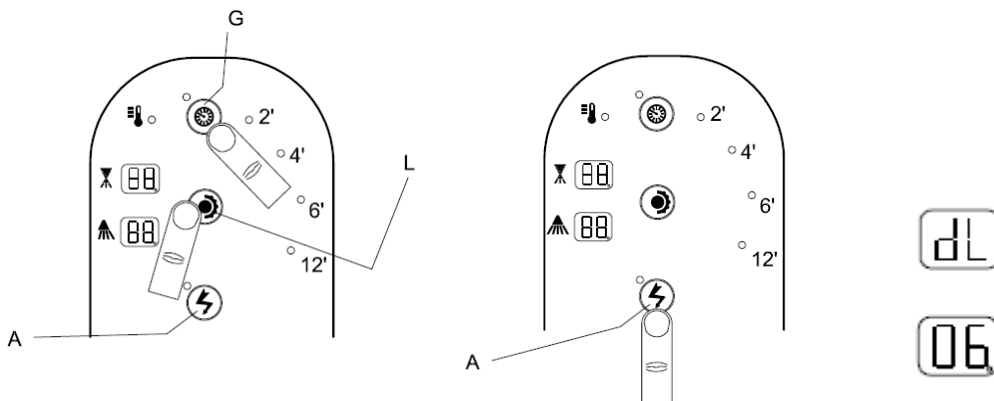
Programar as temperaturas, é suficiente manter premido o botão A para voltar à condição anterior.

3.2 REGULAÇÃO DA QUANTIDADE DOS DETERGENTES

É possível programar as quantidades dos detergentes actuando no tempo de acendimento dos doseadores dos detergentes.

Detergente

Entrar no menu de programação no seguinte modo: Abrir uma das portas, manter premido simultaneamente por alguns segundos os botões G e L até visualizar a escrita “tH”, em seguida premir o botão A até visualizar “dL” no primeiro quadrante.



No segundo quadrante é visualizado o valor programado em segundos, é possível aumentar ou diminuir o tempo de acendimento através dos botões L e G .

Obs : o ponto indica o ½ segundo.

Abrilhantador

Após ter regulado o detergente, premir novamente o botão “A” para passar ao item sucessivo e visualizar “bL” abrillantador. Aumentar ou diminuir o tempo de acendimento através dos botões “L” e “G”.



3.3 MENSAGENS PARA O UTILIZADOR

Mensagem no display	Descrição da função.
do	Uma das portas da máquina está aberta.
b	Temperaturas da água de enxágue.
t	Temperatura da água de lavagem.

3.4 MENSAGENS DE ERROS

A máquina é capaz de reconhecer várias situações de mau funcionamento.

Eis uma breve descrição do que fazer se o display mostrar ERR ...

Visualiz. display	Alarme	Descrição da anomalia detectada.
Er 02	Descarga ineficaz	Controlar as tubagens de descarga e verificar que não estejam obstruídas. Para as máquinas equipadas com "tubo de extravasamento" verificar que este tenha sido retirado. Se o problema persistir é provável que se trate da ruptura da electrobomba de descarga, contactar um centro de assistência.
"Er. 03"	Timeout thermostop	A temperatura do boiler não alcançou o set point dentro do prolongamento da fase de lavagem do ciclo de trabalho. O aquecimento do boiler é desabilitado. Contactar a assistência técnica autorizada.
"Er. 04"	Timeout carregamento do tanque	A água não alcançou o nível no tanque de lavagem. Desligar e acender a máquina e verificar de ter inserido correctamente os tubos de extravasamento e de ter aberto a alimentação da água, caso contrário contactar a assistência técnica autorizada.
"Er. 05 Er 06"	Sonda do tanque aberta	Sonda do tanque quebrada. O aquecimento do tanque é bloqueado. Contactar a assistência técnica autorizada.
"Er. 07 Er .08"	Sonda do boiler aberta	Sonda do boiler quebrada. O aquecimento do boiler é bloqueado. Contactar a assistência técnica autorizada.
"er ht	Temperatura do tanque excessiva	$B4 > \text{TempTanqueMáx.}$ O aquecimento do tanque é bloqueado.
"er Hb"	Temperatura do boiler excessiva	$B2 > \text{TempBoilerMáx.}$ O aquecimento do boiler é bloqueado.
"er sf"	Segurança electromecânica	É provável a intervenção de algum termóstato de segurança. Desligar e acender a máquina, se o problema persistir Contactar um centro de assistência técnica autorizada.
"er 09"	Timeout de carregamento do boiler	Problema com a carga de água no boiler, controlar que a alimentação da água seja aberta correctamente e que a vazão da rede hídrica seja suficiente conforme o quanto indicado na placa de dados da máquina. Desligar e acender a máquina, se o problema persistir contactar a assistência técnica.
"er 01"	Enxágue não efectuado	O enxágue das loiças não foi efectuado correctamente, controlar que os pulverizadores dos braços de enxágue não estejam obstruídos. Se o problema persistir, contactar a assistência técnica.

"Er SL"	Segurança do nível	Problema com a descarga de água. A electrobomba de descarga não efectuou correctamente a descarga. Controlar as tubagens da descarga, se o problema persistir contactar a assistência técnica.
"Er rb"	Tentativa de reset do erro 09	A máquina visualiza esta mensagem quando efectua uma tentativa de resolução do problema de carga no boiler.
"Er 22"	Timeout termostop do tanque	Problema com o aquecimento da água no boiler. Contactar um centro de assistência técnica.
"no ns"	Falta de sal (warning)	(máquinas equipadas com descalcificador de água). Adicionar sal no respectivo reservatório situado no tanque de lavagem.
"no dn"	Falta de detergente (warning)	
"no bn"	Falta de abrillantador (warning)	
"no na"	Manutenção do descalcificador (warning)	(máquinas equipadas com descalcificador de água externo). Efectuar uma regeneração das resinas.
"no 13"	Break tank vazio (warning)	Se a mensagem aparece frequentemente, controle que a vazão da rede hídrica seja correcta conforme o quanto requerido pela máquina

Atenção: O desligamento e o sucessivo acendimento da máquina "zera" a sinalização que em seguida se apresentará novamente se o problema não tiver sido resolvido

CAP.4 RECOMENDAÇÕES DE SEGURANÇA



4.1 RISCOS E INDICAÇÕES

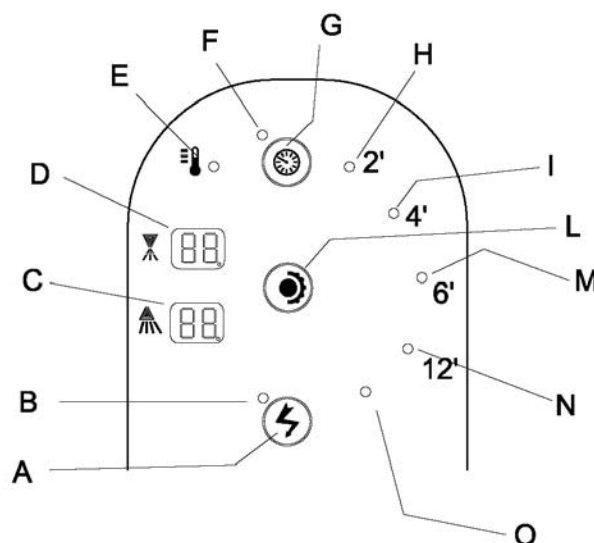
- Nunca abra a porta rapidamente se ainda não tiver terminado o ciclo.
- Não mergulhe as mãos na solução de lavagem.
- Nunca tire os painéis máquina se a electricidade não estar excluída.
- O pessoal que efectua a instalação e a ligação eléctrica deve instruir adequadamente os utilizadores sobre o funcionamento da instalação e nas medidas de segurança que deve ser seguida.
- O instalador deve dar também demonstrações práticas sobre o modo de utilização e certificar-se de que estejam em seu possesso as instruções anexadas na máquina.
- **Este aparelho é apenas para a utilização para qual foi construído. Qualquer outra utilização deve ser julgada inadequada e por isso perigosa.**
- A máquina não deve ser utilizada por operadores não qualificados.
- Não utilize **NUNCA** a máquina sem proteções (microcontatos painéis ou outros) predispostas pelo constructor se não for na presença de um técnico qualificado que tome as devidas precauções do caso.
- Não utilize **NUNCA** a máquina para lavar objetos de tipo, forma, medida, ou material incompatíveis com quanto indicado pelo construtor.
- A eventual reparação deve ser efectuada somente da firma produtora ou dum Centro de Assistência autorizado utilizando somente peças originais.
- Não respeitar quanto supradito pode alterar a segurança do aparelho.
- A máquina deve ficar desligada quando não estar utilizada.
- Detergente deve ser de tipo industrial, de espuma freada.

4.2 CONDIÇÕES NORMALIDADE SERVIÇO

Temperatura ambiente : 40°Cmax 4°Cmin (média 30°C)
Altitude : até 2000 metrical
Relativo humidade : Max 30% em 40°C Max 90% em 20°C
Transporte e Armazenamento : entre 10°C e 55°C com paz até 70°C (max 24 h)

CAP.5 USO DA MÁQUINA

5.1 DESCRIÇÃO DOS COMANDOS



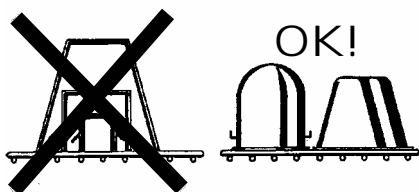
Botão / sinalização	Função
A	Botão de on /off da máquina
B	Indicador de linha on
C	Display da temperatura de lavagem
D	Display da temperatura de enxágue
E	Indicador da sinalização de máquina pronta
F	Indicador de ciclo em curso
G	Botão de partida do ciclo
H	Indicador do programa 2' seleccionado
I	Indicador do programa 4' seleccionado
L	Botão de escolha do programa de lavagem
M	Indicador do programa 6' seleccionado
N	Indicador do programa 12' seleccionado
O	Indicador falta de detergente

5.2 Modo de uso

Ter como referência a figura da pág. 9

- 1) Certificar-se de ter inserido o tubo de extravasamento e os filtros no tanque, em seguida controlar os níveis dos detergentes e a abertura da água de alimentação.
 - 2) Premir o botão A, o indicador b se acende, a máquina carrega e aquece a água.
 - 3) Quando a máquina estiver carregada e pronta para a utilização, o indicador A se ilumina de verde.
 - 4) Escolher o programa de lavagem através do botão L .
 - 5) Introduzir um cesto carregado com objectos a lavar (**ver cap. 6.3 carregamento cestos**).
 - 6) Fechar a porta e fazer a lavagem partir através do botão G.
- ATENÇÃO: é possível parar a lavagem em qualquer momento através do botão G ou até mesmo desligar através do botão A.**
- 7) É possível notar que o indicador F adjacente ao botão de partida se ilumina e o indicador do programa de lavagem seleccionado lampeja.
 - 8) Quando a lavagem terminar o indicador F se apaga e o indicador do programa seleccionado se acende em modo fixo.
 - 9) Ao final do serviço, desligar a máquina através do botão 1 e seguir as indicações do capítulo “ **6.4 Operações de fim do serviço**”.
-

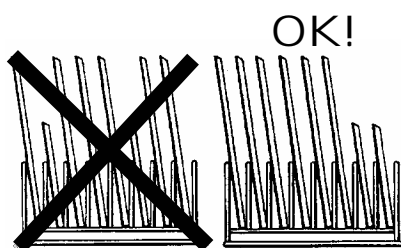
5.3 DISPOSIÇÃO DA LOUÇA



- Não mergulhar as mãos nuas lixívia de lavagem, posicionar as xícaras e os copos virados de cabeça para baixo nas cestas. Inserir os pratos na cesta própria equipada com dedos de suporte com a superfície interna virada para cima.

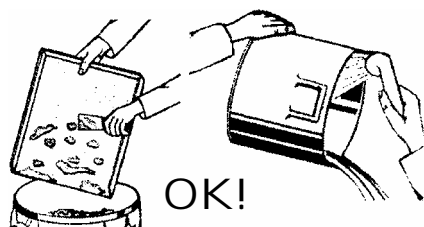


- Colocar os talheres e as colherinhas de café com os cabos virados para baixo.



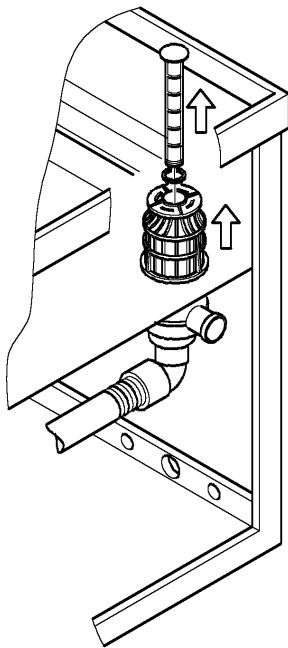
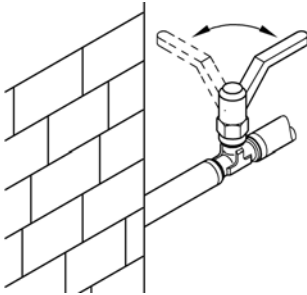
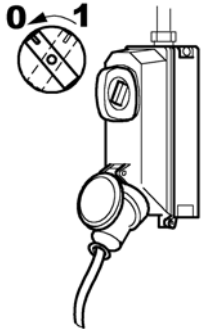
- Utilizar as cestas especificamente criadas para os diversos tipos de louças (pratos, copo, xícaras, talheres, etc.) Para economizar detergente e energia eléctrica, lavar somente cestas completas, sem contudo sobrecarregá-las. Evitar toda sobreposição de louças e talheres.

Com o objetivo de reduzir ao mínimo a manutenção, **RECOMENDAMOS UMA LIMPEZA PREVIA** de louças e talheres. A eliminação dos restos de comida, cascas de limão, palitos, caroços de azeitona, etc., que poderiam obstruir parcialmente o filtro da eletrobomba, reduzindo a eficácia da lavagem, melhorará de maneira substancial a qualidade do resultado final.



E aconselhável lavar louças e talheres antes que os restos de comida possam secar sobre as suas superfícies. No caso de sujeira endurecida, será conveniente deixar louças e talheres de molho antes de introduzí-los na máquina.

5.4 OPERAÇÕES DE FIM SERVIÇO



- Desligue a máquina
- Abra a porta e extraia o cesto com a louça limpa.
- Descarregue a água do tanque levantando o demasiado-cheio. No modelo com bomba de descarga, respeite as operações descritas no parágrafo «Instruções de uso».
- Desligue o interruptor geral a montante da aparelhagem. Feche a válvula de comporta da conexão hidráulica.
- Tire os filtros e limpe-os com uma escovinha de nylon sob um jacto de água.
- Não deixe cair no interior do tanque os sobras de sujo depositados no fundo do filtro bomba descarga. Limpe o tanque com pressão moderada de água. Limpe as paredes exteriores quando estão frias, com produtos não abrasivos feitos expressamente para a manutenção do aço.

NOTA: Não limpe o aparelho com jactos directos de água ou com alta pressão, como eventuais infiltrações nos elementos eléctricos podem comprometer o regular funcionamento do aparelho e de cada dispositivo de segurança, com decadência da garantia.

CAP.6 MANUTENÇÃO

6.1 REGRAS GERAIS

A máquinas são projectadas para reduzir ao mínimo as exigências de manutenção. As seguintes regras devem ser respeitadas minuciosamente para garantir uma longa duração e um funcionamento sem danos.

De qualquer maneira devem ser respeitadas as seguintes regras gerais para manter a máquina em perfeito ordem:

- a máquina deve estar limpa e em ordem
- as reparações urgentes ou provisórias não devem tornar-se habituais

É muito importante o respeito das regras de manutenção periódica: todos os órgãos da máquina devem ser periodicamente controlados para evitar eventuais anomalias, antecipando assim os tempos e os meios necessários para a eventual intervenção de manutenção.

Antes de efectuar as operações de limpeza, desligue a alimentação eléctrica da máquina.

6.2 MANUTENÇÃO PERIODICA (deve ser feita no mínimo cada 20 dias)

Para facilitar as seguintes operações, tire do seu lugar o tear porta-cestos.

- Desmonte os braços de enxaguadura superior e inferior, desatarraxando o fecho de fixação.
 - Desatarraxar e limpar todos os borrifadores e tornar a montá-los no seu devido lugar.
 - Desmonte os braços de lavagem superior e inferior, desatarraxando o perno de enxaguadura limpe-os e enxague-os.
 - Tirar o filtro da bomba de lavagem. Limpá-lo e enxaguá-lo.
 - Limpar, agora, com muito esmero o tanque de lavagem.
 - Deixar a capota do aparelho aberta durante todo o periodo de descanso.
 - Devido aos sais de cálcio e de magnésio presentes na água, depois de certo periodo de funcionamento, que varia em função da dureza da água, sobre as superfícies internas do tanque do aquecedor e dos tubos forma-se uma incrustação calcária que pode prejudicar o bom funcionamento do aparelho.
-

- Torna-se, portanto, indispensável a desincrustação periódica dessas peças, a ser executada por pessoal tecnicamente qualificado.
- Caso o aparelho tenha que ficar parado por longo período, lubrificar as superfícies de aço com óleo de vaselina ..
- Caso houver o risco de formação de gelo, fazer descarregar a água do aquecedor e da bomba de lavagem por pessoal qualificado.
- **No caso de mau funcionamento ou de defeitos, dirigir-se exclusivamente a um centro de assistência técnica autorizado pelo construtor do aparelho ou pelo seu concessionário.**



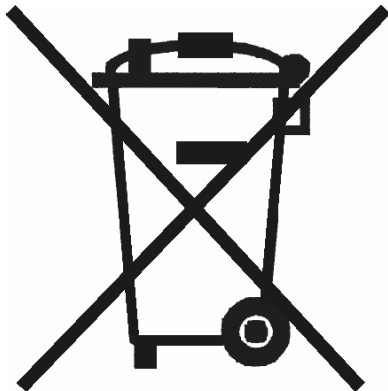
CAP.7 DESMANTELAMENTO

7.1 DESMANTELAMENTO DA MÁQUINA

Nas nossas máquinas não há materias que requerem processos especiais de escoamento.

7.2 ELIMINIÇÃO CORRECTA DESTE PRODUCO

(Resíduo de Equipamentos Eléctricos e Electrónicos)



Esta marca, apresentada no produto o una sua literatra indica que ele não deverá ser eliminado juntamente com os resíduos domésticos indiferenciandos no fina do seu período de vida útil. Para impedir danos ao ambiente e à saúde humana causados pela eliminação incontrolada de resíduos deverá separar este equipamento de outros tipos de resíduos e reciclá-lo de forma responsável, para promover uma reutilização sustentável dos recursos materias.

Os utilizadores domésticos deverão contactar ou o estabelecimiento onde adquiriram este produto au as entidades ofcias locais para obterem infomções sobre onde e de que forma podem levar este produto para permitir efectuar uma reciclgem segua em termos ambientais.

Os utilizadores profissionais deverão contactar o seu fornecedor consultar os termos e condições do contrato de compra. Este produto não deverá ser misturado com outros resíduos comerciais para eliminação.

INHOUD

HFDST.1	VOORWOORD	3
HFDST.2	INSTALLATIE	3
2.1	DE MACHINE VERPLAATSEN EN UITPAKKEN.....	3
2.2	ELEKTRISCHE AANSLUITING	4
2.3	HYDRAULISCHE AANSLUITING	4
2.4	AANSLUITING OP DE AFVOERLEIDING	5
HFDST.3	INSTELLINGEN EN AFSTELLINGEN	5
3.1	DE BEDRIJFSTEMPERATUUR AFSTELLEN.....	5
3.2	DE HOEVEELHEID REINIGINGSMIDDEL AFSTELLEN	6
3.3	BERICHTEN GEBRUIKER	7
3.4	FOUTMELDINGEN	7
HFDST.4	AANBEVELINGEN	8
4.1	OVERIGE RISICO'S	8
4.2	STANDAARD- STAP VOORWAARDE	9
HFDST.5	GEBRUIK VAN DE MACHINE	9
5.1	BESCHRIJVING BEDIENINGEN.....	9
5.2	GEBRUIKSWIJZE.....	10
5.3	HET VAATWERK RANGSCHIKKEN	11
5.4	NA HET WASSEN	12
HFDST.6	ONDERHOUD	13
6.1	ALGEMENE REGELS.....	13
6.2	PERIODIEK ONDERHOUD (ten minste uit te voeren om de 20 dagen)	13
HFDST.7	ONTMANTELING	14
7.1	ONTMANTELING VAN DE MACHINE.....	14
7.2	CORRECTE VERWIJDERING VAN DIT PRODUCT	14

HFDST.1 VOORWOORD

In deze handleiding worden belangrijke aanwijzingen ten aanzien van de veiligheid tijdens de installatie, het gebruik en het onderhoud vermeld.

De gebruiker heeft de plicht om deze handleiding aandachtig te lezen alvorens de machine te verplaatsen, te installeren, te gebruiken, te onderhouden of buiten dienst te stellen; het is dan ook noodzakelijk om deze handleiding goed te bewaren zodat hij ook na verloop van tijd nog intact is door hem op een veilige plaats neer te leggen en voor veelvuldige raadpleging eventuele kopieën te gebruiken.

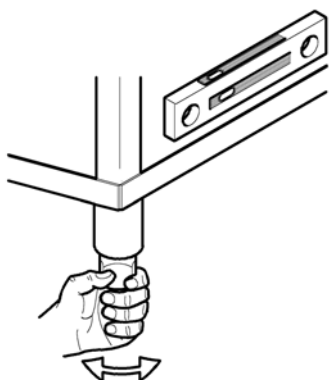
HFDST.2 INSTALLATIE

2.1 DE MACHINE VERPLAATSEN EN UITPAKKEN



- De machine moet uiterst voorzichtig met een vorkheftruck worden verplaatst.
- Controleer of de machine intact is. Is er sprake van zichtbare schade, dan moet de verkoper en de transporteur die de machine heeft vervoerd hier onmiddellijk van op de hoogte worden gesteld. Bij twijfel mag de machine niet in gebruik worden genomen zolang de machine niet is gecontroleerd door gespecialiseerd personeel.
- Verplaats de machine naar de plaats waar de machine geïnstalleerd moet worden en ontdoe de machine van de verpakking.

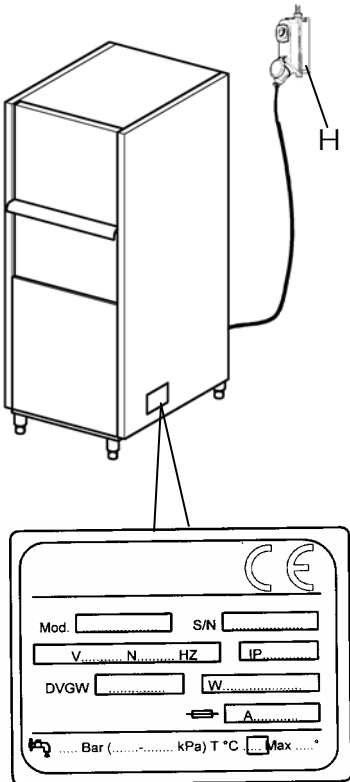
Het verpakkingsmateriaal (plastic zakken, schuimplastic, spijkers enz.) mag niet binnen bereik van kinderen worden gelaten, omdat dit een mogelijk bron van gevaar vormt.

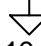


- De machine mag uitsluitend in overeenstemming met de aanwijzingen van de constructeur geïnstalleerd worden en dit uitsluitend door vakkundig gekwalificeerd personeel gedaan worden.
- Dit apparaat is alleen geschikt voor vaste aansluiting.
- Zet de machine door middel van de schroefpoten waterpas.
- De vloer moet berekend zijn op het totaal gewicht van de machine.
- Houd de aanwijzingen die op het aansluitschema van de machine staan vermeld aan en breng in het waslokaal de elektrische aansluiting en de aansluiting van de watertoevoer- en afvoerleiding tot stand.



2.2 ELEKTRISCHE AANSLUITING



1. De aansluiting op het elektriciteitsnet moet tot stand gebracht worden met een hoofdschakelaar (H) Dit moet een veelpolige magnetothermische schakelaar zijn die alle contacten inclusief de nulleiding verbreekt, met een afstand tussen de open contacten van minstens 3 mm, die voor de veiligheid springt of die gekoppeld is aan zekeringen, die bemeten en afgesteld moeten zijn met het oog op het maximum vermogen dat op de machine staat vermeld (zie machineplaat).
2. Er dient nagegaan te worden dat de spanning en de frequentie van het elektriciteitsnet overeenstemmen met de gegevens die op de machineplaat staan waar de technische gegevens van de machine op staan die aan de rechterkant van de machine is aangebracht.
3. Een deugdelijke aarding zoals vereist door de geldende veiligheidsvoorschriften is een garantie voor de veiligheid van de gebruiker en het apparaat.
4. Het gebruik van verloopstekkers, meervoudige stopcontacten en verlengsnoeren is absoluut verboden.
5. Het apparaat moet bovendien op een potentiaalvereffeningssysteem worden aangesloten; de aansluiting op een dergelijk systeem wordt tot stand gebracht door middel van een schroef waar het symbool  op staat. De potentiaalvereffeningsleiding moet een doorsnede van 10 mm² hebben.



De voedingskabel die bij de levering van de machine is inbegrepen mag alleen door een kabel worden vervangen die dezelfde doorsnede heeft en die van type H07RN-F is.

Raadpleeg voor nadere informatie het bijgevoegde elektrische aansluitschema.

2.3 HYDRAULISCHE AANSLUITING

Breng het vertrek in gereedheid zoals aangegeven op bijgevoegd hydraulisch aansluitschema.

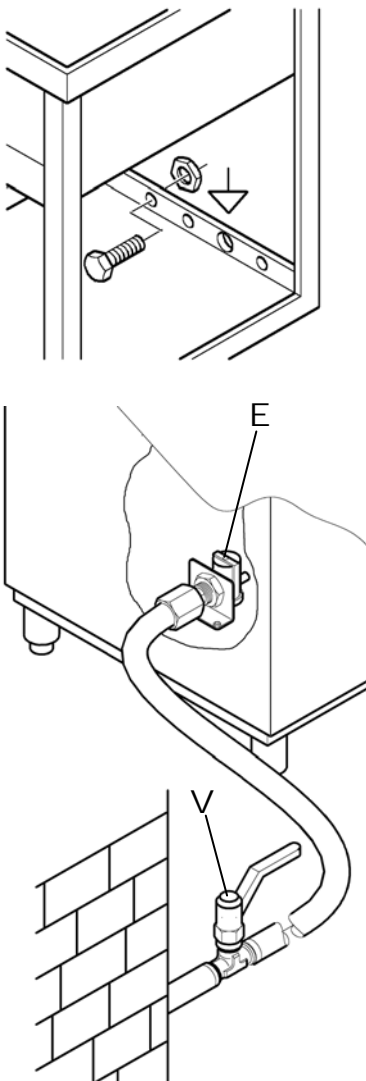
Controleer alvorens het apparaat aan te sluiten of er tussen de watertoevoerleiding en het apparaat een schuifklep is geplaatst die in staat is om de watertoevoerleiding indien nodig of in geval van reparaties snel en volledig af te sluiten.

Sluit de toevoerelektromagneetklep (E) aan op de schuifklep (V) en controleer of het toevoerdebiet niet minder bedraagt dan 20 l/min.

Ga na dat de temperatuur en de druk van het toevoerwater overeenstemt met de gegevens die op de plaat staan vermeld waar de technische gegevens van de machine op staan.

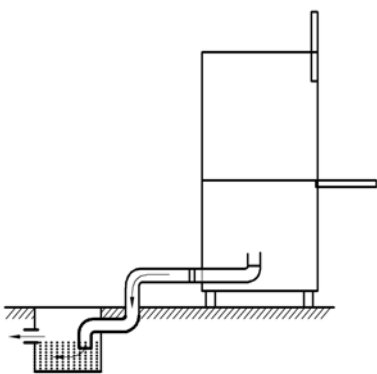
Mocht de hardheid van het water groter zijn dan de in de tabel vermelde gegevens, dan verdient het aanbeveling om vóór de toevoerelektromagneetklep van de machine een waterontharder te installeren.

In geval van hoge concentraties van minerale resten in het water of hoge geleidingscapaciteit wordt geadviseerd een demineralisatie-



installatie te installeren, afgesteld op een resthardheid zoals aangegeven in onderstaande tabel.

	Eigenschappen		van	tot
Hardheid	Franse hardheidsgraden	f	5	10
	Duitse hardheidsgraden	°dH	4	7'5
	Engelse hardheidsgraden	°e	5	9,5
	Parts per million	ppm	70	140
Resterende mineralen	Maximum	mg/l	300/400	



2.4 AANSLUITING OP DE AFVOERLEIDING

Het legen van de kuip gebeurt door middel van zwaartekracht, de afvoer moet daarom op een lager niveau dan de onderkant van de machine worden geplaatst.

Het afvoerkoppelstuk moet door middel van een flexibele slang op een putje of een bak met sifon die in de vloer is aangebracht worden aangesloten.

De afmetingen van de afvoer van de machine staan vermeld op het installatieschema van de machine.

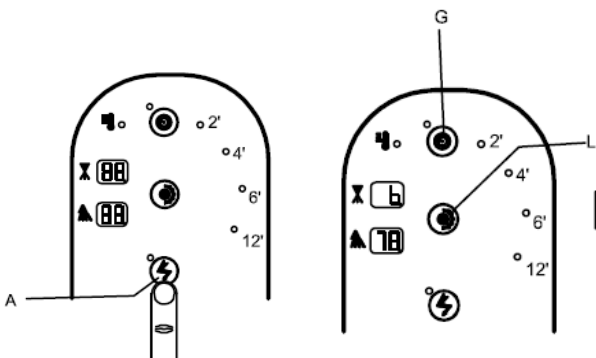
HFDST.3 INSTELLINGEN EN AFSTELLINGEN

3.1 DE BEDRIJFSTEMPERATUUR AFSTELLEN

Het is mogelijk om de temperatuur voor het verwarmen van het water in de boiler (spoelwater) en de temperatuur van het wasbad af te stellen.

Set temperatuur spoelwater boiler:

Schakel de machine in door de on/off lijntoets "A" een aantal seconden ingedrukt te houden tot het bericht "b" "78°C" weergegeven wordt. Laat de set-waarde met behulp van de toetsen G en L toe- of afnemen



Set temperatuur wasbad :

Druk vervolgens op de toets A. Het bericht "t" "55" wordt nu weergegeven. Stel de waarde in met behulp van de toetsen G en L.



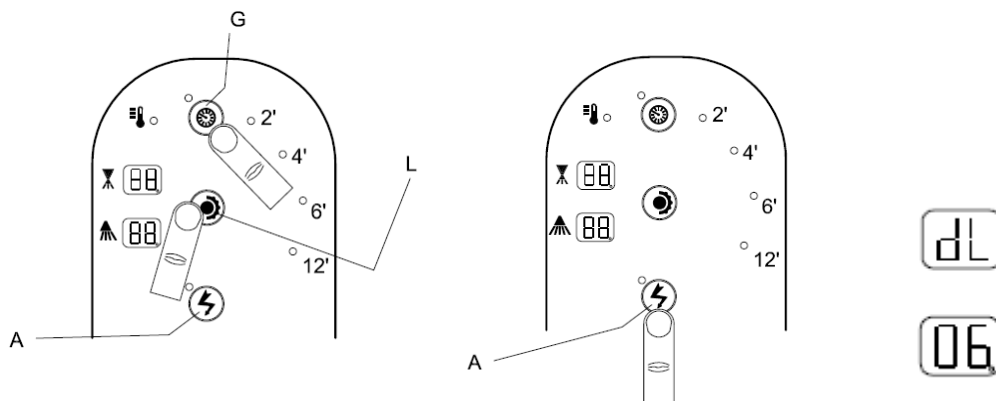
Als de temperaturen ingesteld zijn, kunt u naar de vorige omstandigheid terugkeren door de toets A ingedrukt te houden.

3.2 DE HOEVEELHEID REINIGINGSMIDDEL AFSTELLEN

Het is mogelijk om de hoeveelheid reinigingsmiddel in te stellen door de activeringstijd van de doseerders te wijzigen.

Reinigingsmiddel

Betreed als volgt het programmeringsmenu: Open een van de deuren, houd een aantal seconden lang de toetsen G en L ingedrukt tot het bericht "tH" weergegeven wordt. Druk vervolgens op de toets A tot in het eerste hokje "dL" weergegeven wordt.



In het tweede hokje wordt de ingestelde waarde in seconden weergegeven. Het is mogelijk om de activeringstijd met behulp van de toetsen L en G toe of af te laten nemen.

Opmerking: het puntje staat voor ½ seconde.

Spoelmiddel

Druk, nadat u het reinigingsmiddel afgesteld heeft, wederom op de toets "A". U gaat nu over naar het volgende begrip. Het bericht "bL" wordt weergegeven. Laat de activeringstijd met behulp van de toetsen "L" en "G" toe- of afnemen.



3.3 BERICHTEN GEBRUIKER

Bericht display	Omschrijving functie.
do	Een van de machinedeuren staat open.
b	Temperatuur spoelwater
t	Temperatuur reinigingswater

3.4 FOUTMELDINGEN

De machine is in staat om de verschillende soorten storingen te herkennen.

Hieronder wordt in het kort beschreven wat u doen moet als op het display ERR... weergegeven wordt

Weergave display	Alarm	Omschrijving storing.
Er 02	Water niet afgepompt	Controleer de afvoerslangen en stel vast dat ze niet verstopt geraakt zijn. Controleer dat de overloop verwijderd is in het geval dat de machines hiermee uitgerust zijn. Als het probleem aanhoudt is het mogelijk dat de elektropomp voor het wegpompen van het water defect is. Neem in dit geval contact op met een assistentiecentrum.
"Er. 03"	Time-out thermostop	De temperatuur van de boiler heeft tijdens de voortzetting van de reinigingsfase van de bedrijfscyclus de set point niet bereikt. Het verwarmen van de boiler wordt gedeactiveerd. Neem contact op met een erkende technische servicedienst.
"Er. 04"	Time-out vullen bad	Het waterpeil in het wasbad is niet bereikt. Schakel de machine uit en weer in. Controleer of u de overloop op correcte wijze aangebracht heeft en of u de watertoevoer geopend heeft. Neem contact op met een erkende technische servicedienst als het probleem niet wordt opgelost.
"Er. 05 Er 06"	Meter bad open	Meter bad defect. Het verwarmen van het bad wordt verhinderd. Neem contact op met een erkende technische servicedienst.
"Er. 07 Er .08"	Meter boiler open	Meter boiler defect. Het verwarmen van de boiler wordt verhinderd. Neem contact op met een erkende technische servicedienst.
"er ht	Temperatuur in het bad te hoog	$B4 > TempBadMax$. Het verwarmen van het bad wordt verhinderd.
"er Hb"	Temperatuur in de boiler te hoog	$B2 > TempBoilerMax$. Het verwarmen van de boiler wordt verhinderd.
"er sf"	Elektromechanische beveiliging	Waarschijnlijk heeft een veiligheidsthermostaat ingegrepen. Schakel de machine uit en weer in. Neem contact op met een erkende technische servicedienst als het probleem aanhoudt.
"er 09"	Time-out vullen boiler	Probleem tijdens het vullen van de boiler met water. Controleer dat de watertoevoer op correcte wijze geopend is en dat het debiet van het waternet met de waarden van het gegevensplaatje van de machine overeenstemt. Schakel de machine uit en weer in. Neem contact op met de technische servicedienst als het probleem aanhoudt.

"Er 01"	Spoelen heeft niet plaatsgevonden	Het spoelen van het vaatwerk is niet op correcte wijze uitgevoerd. Controleer dat de spuitopeningen op de spoelarmen niet verstopt geraakt zijn Neem contact op met de technische servicedienst als het probleem aanhoudt.
"Er SL"	Beveiliging waterpeil	Probleem tijdens het afpompen van het water. De elektropomp heeft niet op correcte wijze het water afgepompt. Controleer de afvoerslangen en neem contact op met de technische servicedienst als het probleem aanhoudt.
"Er rb"	Resetpoging foutmelding 09	De machine geeft dit bericht weer als hij een poging doet om het probleem tijdens het vullen van de boiler te verhelpen.
"Er 22"	Time-out thermostop bad	Probleem tijdens het verwarmen van het water in de boiler. Neem contact op met een erkend centrum voor technische servicedienst.
"no ns"	Zout ontbreekt (warning)	(in het geval van machines uitgerust met een wateronthardingsstelsel). Voeg zout toe aan de speciale houder in het waterbad.
"no dn"	Reinigingsmiddel ontbreekt (warning)	
"no bn"	Spoelmiddel ontbreekt (warning)	
"no na"	Onderhoud wateronthardingsstelsel (warning)	(in het geval van machines uitgerust met een extern wateronthardingsstelsel). Laat de resine hergenereren.
"no 13"	Break tank leeg (warning)	Als dit bericht regelmatig wordt weergegeven is het noodzakelijk te controleren dat het debiet van het waternet overeenstemt met de waarden die voor de machine vereist zijn.

Let op: Het uitschakelen en vervolgens weer inschakelen van de machine "reset" de signalering. De signalering wordt vervolgens weer weergegeven als het probleem niet verholpen is

HFDST.4 AANBEVELINGEN



4.1 OVERIGE RISICO'S

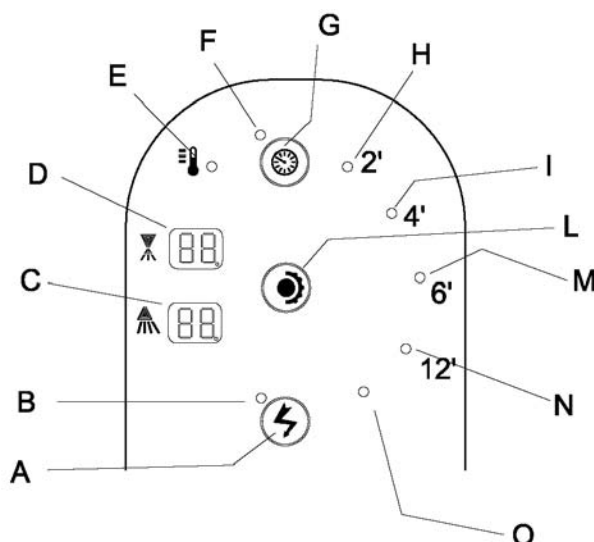
- Open de deur van de machine niet snel als het programma nog bezig is.
- Dompel nooit uw blote handen in de wasoplossing.
- Verwijder nooit de machinepanelen indien er niet eerst voor gezorgd is dat de machine losgekoppeld is van het stroomopwaartse voedingsnet.
- Het gespecialiseerde personeel dat de installatie en de elektrische aansluiting uitvoert is gehouden om de gebruiker goed over de werking van het apparaat en de eventueel in acht te nemen veiligheidsvoorschriften te informeren.
- De installateur moet de gebruiker bovendien praktijkdemonstraties geven over de wijze van gebruik en de betreffende schriftelijke aanwijzingen die bij het apparaat worden verstrekt aan de gebruiker overhandigen.
- Dit apparaat mag uitsluitend voor de doeleinden worden gebruikt waarvoor het uitdrukkelijk is ontwikkeld. Elk ander gebruik dient als oneigenlijk en dus als gevaarlijk te worden beschouwd.
- De machine mag niet door personeel worden gebruikt dat niet getraind is.
- Gebruik de machine nooit zonder de beveiligingen (microschakelaars, panelen e.d.) die door de constructeur zijn aangebracht.
- Gebruik de machine nooit om voorwerpen te wassen waarvan de vormen, afmetingen of materialen niet in overeenstemming zijn met de aanwijzingen van de constructeur.
- Eventuele reparaties van de machine mogen uitsluitend door het constructiebedrijf of door een bevoegd servicecentrum worden uitgevoerd waarbij uitsluitend originele reserveonderdelen mogen worden gebruikt.
- Door het niet in acht nemen van het bovenstaande kan de veiligheid van het apparaat in gevaar worden gebracht.
- Als de machine niet wordt gebruikt mag de machine niet onder spanning blijven staan.
- Het wasmiddel moet van industrieel soort zijn, dat schuimremmend is.

4.2 STANDAARD- STAP VOORWAARDE

Ambient Temperatuur : 40°Cmax 4°Cmin (shade 30°C)
Stand : voor 2000 tiendelig
Verwant vochtig : max 30% ter max 90% ter 20°C
Vervoer en Opslag in entrepot : tussen 10°C en 55°C van vrede voor 70°C (max 24 h)

HFDST.5 GEBRUIK VAN DE MACHINE

5.1 BESCHRIJVING BEDIENINGEN

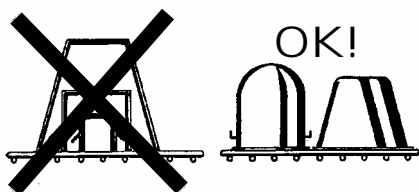


Toets / signalering	Functie
A	On/off toets van de machine
B	Controlelampje lijn on
C	Display temperatuur reiniging
D	Display temperatuur spoelen
E	Controlelampje signalering machine gereed
F	Controlelampje cyclus in uitvoering
G	Starttoets cyclus
H	Controlelampje programma 2' gekozen
I	Controlelampje programma 4' gekozen
L	Keuzetoets reinigingsprogramma
M	Controlelampje programma 6' gekozen
N	Controlelampje programma 12' gekozen
O	Controlelampje reinigingsmiddel op

5.2 GEBRUIKSWIJZE

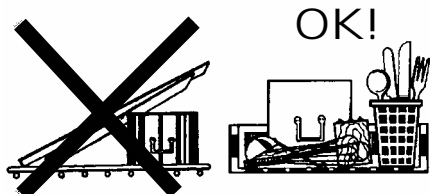
Raadpleeg de afbeelding op pag. 9

- 1) Verzeker u ervan dat u de overloop en de filters in het bad aangebracht heeft. Controleer vervolgens het peil van de reinigingsmiddelen en of u de watertoevoer geopend heeft.
 - 2) Druk op de toets A, het controlelampje B begint te branden. De machine vult zich en begint het water te verwarmen.
 - 3) Als de machine gevuld en voor het gebruik gereed is, begint het controlelampje A groen te branden.
 - 4) Kies het gewenste reinigingsprogramma met behulp van de toets L.
 - 5) Plaats een mand, gevuld met vaatwerk in de machine (raadpleeg hfdst. 6.3 manden laden).
 - 6) Sluit de deur en start het wassen op door op de toets G te drukken.
LET OP: het is mogelijk om op elk gewenst moment het wassen te onderbreken door op de toets G te drukken of om de machine uit te schakelen door op de toets A te drukken.
 - 7) U zult zien dat het controlelampje F, naast de startknop, gaat branden en dat het controlelampje van het gekozen reinigingsprogramma begint te knipperen.
 - 8) Als het reinigingsprogramma uitgevoerd is, gaat het controlelampje F uit en gaat het controlelampje van het gekozen reinigingsprogramma vast branden.
 - 9) Schakel de machine uit aan het einde van het gebruik door op de toets 1 te drukken en volg de aanwijzingen op van het hoofdstuk "**6.4 Handelingen aan het einde van het gebruik**".
-

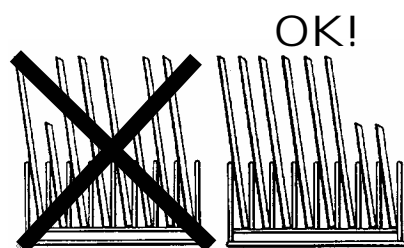


5.3 HET VAATWERK RANGSCHIKKEN

- Niet blote handen in de wasmiddel oplossing dompelen, de kopjes en de glazen omgekeerd in de manden plaatsen. De borden in de geschikte mand met steunarmpjes met het binnen oppervlak naar boven gekeerd zetten.



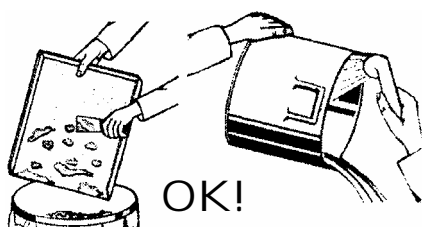
- Het bestek en de theelepeltjes met het handvat naar beneden gekeerd plaatsen.



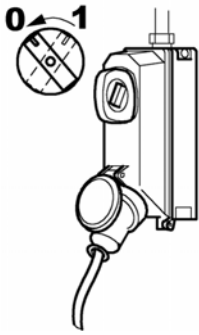
- Niet zilver-en roestvrij staal bestek in dezelfde bestekmanden plaatsen. Het zou bruine vlekken op het zilver en waarschijnlijk corrosie van het roestvrije staal veroorzaken.

- Voor een ander type vaatwerk (borden, glazen, kopjes, bestek etc.) de specifiek gemaakte manden gebruiken. Om wasmiddel en elektrische energie te besparen, alleen volle manden wassen, zonder deze over te beladen. Het opelkaar plaatsen van vaatwerk vermijden.

Om het onderhoud tot het minimum te beperken, **BEVELEN WIJ AAN EEN VOORAFGAANDE SCHOONMAAK** van het vaatwerk. De verwijdering van etensresten, citroenschillen, tandenstokers, olijpitten enz die het filter van de elektropomp zouden kunnen verstopen en de doeltreffendheid van de was verminderen, zal de kwaliteit van het eindresultaat verbeteren.

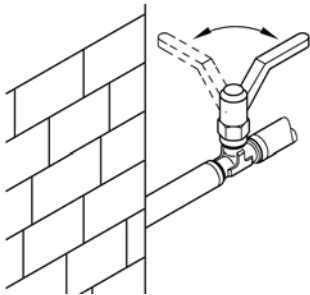


Het is aan te raden het vaatwerk eerst te wassen voordat de etensresten vastkoeken op hun oppervlakten. In het geval van hard vuil, is het nuttig om het vaatwerk en het bestekte laten weken voor het in de machine te plaatsen.

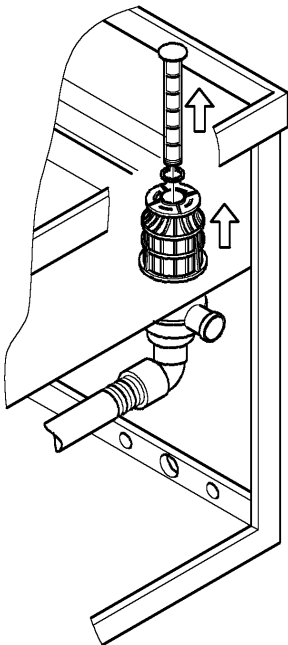


5.4 NA HET WASSEN

- Stroom afsluiten knop
- Open de deur en haal de mand met de schone was eruit.
- Water wegpompen door het stopje op te lichten, waar een pomp aanwezig is de instructies volgen in voorgaande paragraaf.



- De hoofdschakelaar uitzetten boven het apparaat.
- Het valdeurtje dichtmaken voor het water toevoer.
- De filters verwijderen en onder de kraan met een afwasborsteltje schoonmaken.



- Zorg dat het vuil van het filter niet op de bodem van de wasbak terecht komt. De wasbak met een zachte waterstraal schoonspoelen. De buitenkant schoonmaken als de machine afgekoeld is met een niet-schurend product voor roestvrij staal.

NOTA: De machine niet met directe waterstralen of hoge druk schoonmaken omdat eventuele infiltraties in de elektrische onderdelen de normale werking van de machine en vande veiligheids systemen zouden kunnen benadelen, met als gevolg het verval van de garantie.

HFDST.6 ONDERHOUD

6.1 ALGEMENE REGELS

De machine zijn ontworpen om de verijsten van onderhoud tot het minimum te beperken. De regels die volgen moeten in ieder geval gerespecteerd worden om een lange duur en een functionering zonder ongemakken te garanderen.

In ieder geval, moeten enkele algemene regels gerespecteerd worden om de machines in een perfecte staat te behouden:

- de machine schoon en in orde houden
- vermijden dat de voorlopige of nood reparaties frekwent worden

Da nauwkeurige in acht neming van de regels van periodiek onderhoud is heel belangrijk: alle onderdelen van de machine moeten regelmatig gecontroleerd worden om te vermijden dat zich eventuele afwijkingen presenteren en zo de noodzakelijke tijd en middelen te voorzien voor een eventuele onderhouds ingreep.

Voordat men tot het schoonmaken overgaat de elektrische voeding van de machine.

6.2 PERIODIEK ONDERHOUD (ten minste uit te voeren om de 20 dagen)

Om de volgende handelingen makkelijker te maken kunt u het rek, waar de mand op steunt, verwijderen.

- De spoelarmen boven en onder, de monteren door de schroefknop af te draaien.
 - Alle sproeiers (5) los draaien en schoonmaken en terug plaatsen.
 - Nu de boven en onder wasarmen losmaken door de "spoel pin" los te schroeven schoonmaken en afspoelen.
 - Het filter van de waspomp verwijderen. schoonmaken en spoelen.
 - Versvolgens de waskuip met zorg schoonmaken.
 - De kap van de machine open laten staan al de tijd dat de machine niet gebruikt wordt.
 - Ten gevolge van de aanwezigheid van kalk en magnesium in het water, vormt zich, na een bepaalde tijd van werking. Een kalk incrustatie, dat varieert naar gelang de hardheid van het water, op de binnenste oppervlakten van de kuip van de boiler en van de buizen, dat de goede werking van de machine kan benadelen.
-

- Men moet in dat geval tijdelijk de machine ontkalken. Wij raden aan dat door technisch gekwalificeerd personeel te laten uitvoeren.
- Wanneer de machine voor lange tijd buiten werking zou blijven, moet men de opeervlakten in roestvrij staal met vaseline olie oliën.
- In geval van gevaar van ijsvorming, het water uit de boiler en uit de waspomp door technisch personeel laten afvoeren.
- **In geval van slechte werking of beschadigingen, zich uitsluitend tot een service centrum wenden, geautoriseerd door de constructeur van de machine of door zijn concessionair.**

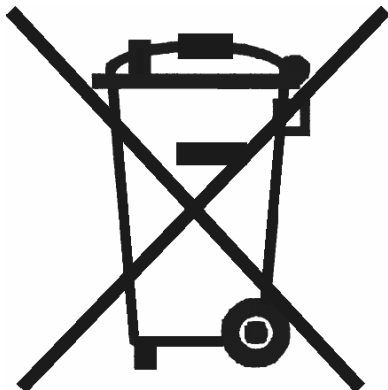


HFDST.7 ONTMANTELING

7.1 ONTMANTELING VAN DE MACHINE

Op onze machines bevinden zich geen materialen die bijzondere procedures van vernietiging vereisen.

7.2 CORRECTE VERWIJDERING VAN DIT PRODUCT (elektrischen & elektronische afvalapparatuur)



Dit merkteken op het product of het bijbehorende informatiemateriaal duidt erop dat het niet met ander huishoudelijk afval verwijderd moet worden aan het einde van zijn gebruiksduur. Om mogelijke schade aan het milieu of de menselijke gezondheid door ongecontroleerde afvalverwijdering te voorkomen, moet u dit product van andere soorten afval scheiden en op een verantwoorde manier recyclen, zodat het duurzame gebruik van materiaalbronnen wordt bevorderd.

Huishoudelijke gebruikers moeten contact opnemen met de winkel waar ze dit product hebben gekocht of met de gemeente waar ze wonen om te vernemen waar en hoe ze dit product milieuriendelijk kunnen laten recyclen.

Zakelijke gebruikers moeten contact opnemen met hun leverancier en de algemene voorwaarden van de koopovereenkomsten nalezen. Dit product moet niet worden gemengd met ander bedrijfsafval voor verwijdering.

INDHOLDSFORTEGNELSE

KAP.1	INDLEDNING	3
KAP.2	INSTALLATION	3
2.1	FLYTNING OG FJERNELSE AF EMBALLAGE.....	3
2.2	TILSLUTNING TIL STRØMFORSYNING	4
2.3	TILSLUTNING TIL VANDFORSYNING	4
2.4	TILSLUTNING TIL AFLØB.....	5
KAP.3	INDSTILLINGER OG JUSTERINGER.....	5
3.1	JUSTERING AF DRIFTSTEMPERATURER	5
3.2	INDSTILLING AF OPVASKE- OG AFSPÆNDINGSMIDDELMÆNGDE	6
3.3	BRUGERMEDDELELSER	7
3.4	FEJLMEDDELELSER	7
KAP.4	SIKKERHEDSPÅBUD	8
4.1	TILBAGEVÆRENDE RISICI OG ADVARSLER	8
4.2	NORMAL SERVICE KÅR.....	8
KAP.5	BRUG AF MASKINE	9
5.1	BESKRIVELSE AF BETJENINGSKNAPPER	9
5.2	BRUG.....	10
5.3	ANBRINGELSE AF SERVICET	11
5.4	VED ENDT OPVASK	12
KAP.6	VEDLIGEHOLDELSE	13
6.1	GENERELLE REGLER.....	13
6.2	PERIODISK VEDLIGEHOLDELSE (skal gennemføres mindst hver 20. dag)	13
KAP.7	NEDTAGNING	14
7.1	NEDTAGNING AF MASKINEN.....	14
7.2	KORREKT AFFALDSBORTSKAFFLES AF DETTE PRODUKT	14

KAP.1 INDLEDNING

Forskrifterne i denne manual giver vigtige oplysninger med hensyn til sikkerhed i forbindelse med installation, brug og vedligeholdelse.

Personalet har pligt til at læse denne manual inden flytning, installation, brug, vedligeholdelse eller bortskaffelse af denne maskine. Det er derfor nødvendigt at opbevare manualen på et sikkert sted med henblik på senere brug. Fotokopier eventuelt manualen, så der findes eksemplarer til den daglige brug.

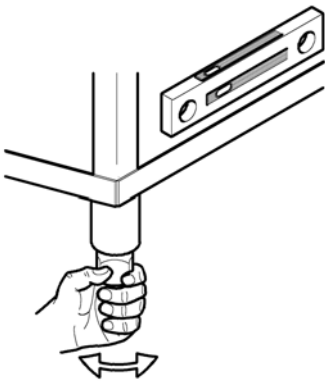
KAP.2 INSTALLATION

2.1 FLYTNING OG FJERNELSE AF EMBALLAGE



- Maskinen skal flyttes forsigtigt ved hjælp af en gaffeltruck.
- Kontrollér, at maskinen ikke er beskadiget. I tilfælde af synlige skader skal sælgeren og speditøren straks underrettes herom. I tvivlstilfælde må maskinen ikke anvendes, før den er blevet kontrolleret af specialuddannet personale.
- Anbring maskinen på installationsstedet og fjern emballagen.

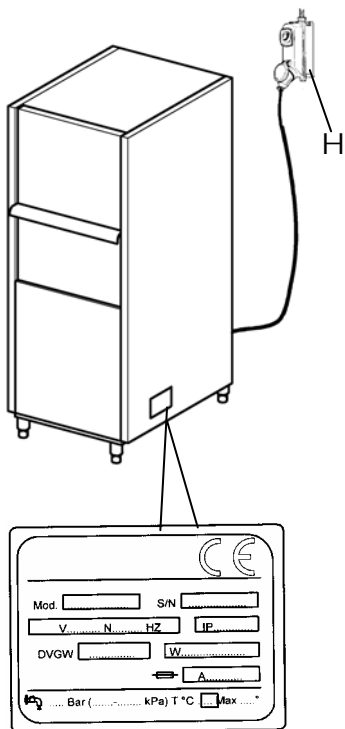
Emballagen (plastposer, skumplast, søm osv.) skal opbevares utilgængeligt for børn, idet disse dele udgør en potentiel fare.




- Installationen skal finde sted i overensstemmelse med anvisningerne fra producenten. Installationen skal udføres af kvalificeret personale.
- Denne maskine er kun egnet til permanent tilslutning.
- Anbring maskinen og nivellér den ved hjælp af fødderne.
- Ved udformning af underlaget skal der tages højde for maskinens samlede vægt.
- Følg anvisningerne på installationsskemaet for maskinen og forbered strøm- og vandforsyningen samt afløbet i lokalet, hvor opvaskemaskinen skal installeres.



2.2 TILSLUTNING TIL STRØMFORSYNING



1. Tilslutningen til strømforsyningen skal ske ved hjælp af en hovedafbryder (H) Afbryderen skal være alpolet og skal afbryde samtlige kontakter inkl. nullederen. Afbryderen skal have en indbyrdes kontaktafstand på min. 5 mm. Afbryderen skal endvidere være forsynet med termomagnetisk sikkerhedsudløsning og sikringer, der tåler den maksimale mærkestrøm.
2. Kontrollér, at strømforsyningens spænding og frekvens svarer til angivelserne på skiltet med de tekniske specifikationer. Skiltet er anbragt på højre side af maskinen.
3. Installation af et effektivt jordsystem som foreskrevet af lovgivningen garanterer beskyttelse for både brugeren og maskinen.
4. Det er strengt forbudt at benytte adaptere, stikdåser og forlængerledninger.
5. Maskinen skal desuden forbindes med et system, der har samme spænding. Forbindelsen sker ved hjælp af en skrue, afmærket med en pil . Den ensartede spændingsleder skal have en sektion på 10 mm².



Det medleverede forsyningskabel må kun udskiftes med et andet kabel med tilsvarende tværsnit (type H07RN-F).

Vedrørende yderligere informationer henvises til det vedlagte elskema.

2.3 TILSLUTNING TIL VANDFORSYNING

Forbered installationslokalet i overensstemmelse med anvisningerne på hydraulikskemaet.

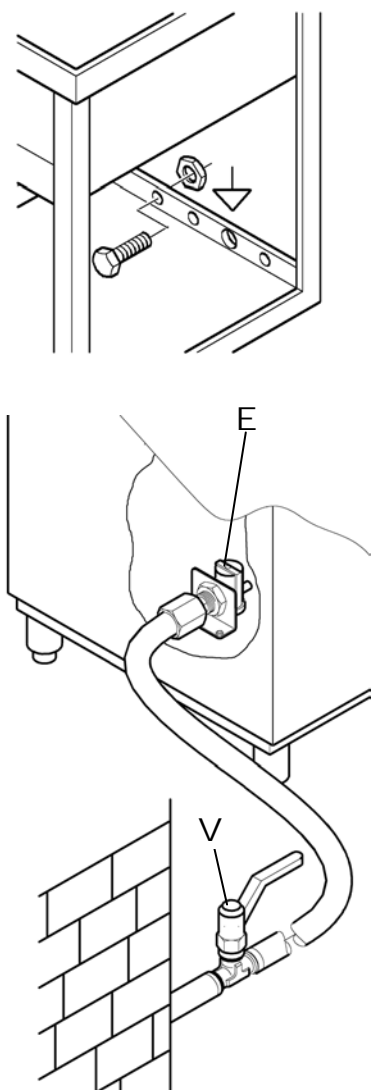
Kontrollér inden tilslutning af maskinen, at der er monteret en sluseventil mellem vandforsyningen og maskinen. Sluseventilen skal gøre det muligt at afbryde vandforsyningen i forbindelse med reparationer og i andre tilfælde, hvor det kan være nødvendigt at afbryde vandforsyningen.

Slut magnetventilen for vandtilførsel (E) til sluseventilen (V) ved hjælp af en slange. Kontrollér, at forsyningskapaciteten min. svarer til 20 l/min.

Kontrollér, at vandets temperatur og tryk svarer til angivelserne på skiltet med de tekniske specifikationer.

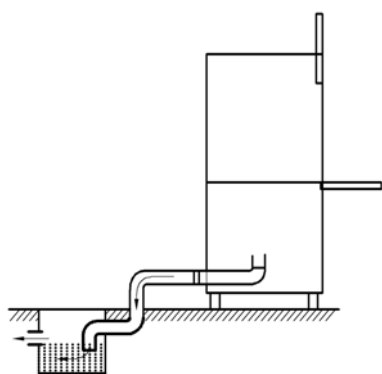
Hvis vandet er hårdere end angivelserne i nedenstående tabel, anbefales det at montere en afkalker før maskinens magnetventil for vandtilførsel.

Hvis vandet indeholder kraftige koncentrationer af restminerale med høj konduktivitet, anbefales det at installere et afsaltningsanlæg, der



indstilles til en resthårdhed i overensstemmelse med nedenstående tabel.

	Karakteristika		Min.	Maks.
Hårdhed	Franske grader	f	5	10
	Tyske grader	°dH	4	7,5
	Engelske grader	°e	5	9,5
	Dele pr. million	ppm	70	140
Restindhold af mineraler	Maksimum	mg/l	300/400	



2.4 TILSLUTNING TIL AFLØB

Tømning af karret sker som følge af tyngde. Dette er grunden til, at afløbet skal være anbragt lavere end maskinens sokkel.

Dræningsforbindelsen skal sluttes til en kloak eller et gulvafløb med hævert ved hjælp af slangen.

Størrelsen for maskinens afløb fremgår af installationskemaet.

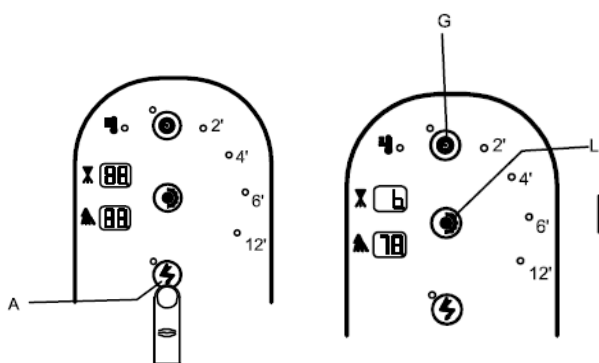
KAP.3 INDSTILLINGER OG JUSTERINGER

3.1 JUSTERING AF DRIFTSTEMPERATURER

Det er muligt at indstille temperaturen for opvarmning af vandet i boileren (skyllevandet) og/eller temperaturen for vandet i vaskekammeret.

Indstilling af temperatur for vand i boiler (skyllevand):

Tænd maskinen ved at holde ON/OFF-knappen A trykket nede et par sekunder, indtil teksten "b" "78 °C" vises. Øg eller reducer indstillingen ved hjælp af knapperne G og L.



Indstilling af temperatur for vand i vaskekammer:

Tryk herefter på knappen A, indtil teksten "t" "55" vises. Indstil ved hjælp af knapperne G og L.



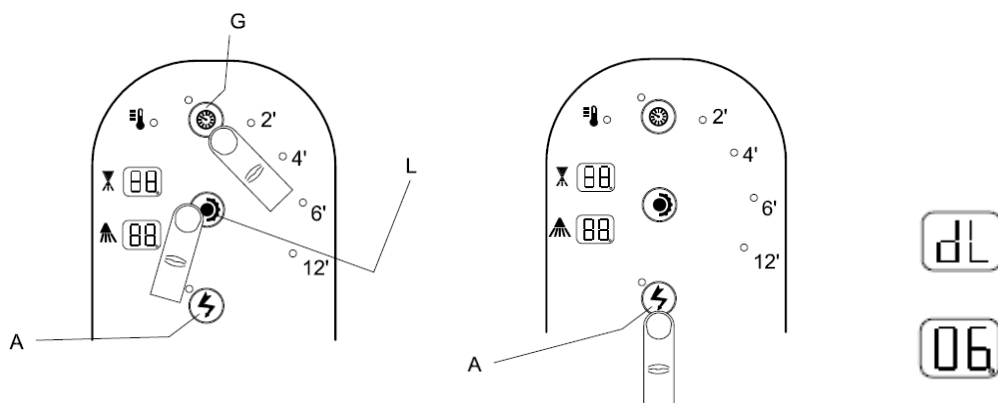
Hold knappen A trykket nede efter indstilling af temperaturerne for at vende tilbage til den foregående parameter.

3.2 Indstilling af opvaske- og afspændingsmiddel mængde

Det er muligt at indstille opvaske- og afspændingsmiddel mængden ved at indstille driftstiden for doseringsanordningerne.

Opvaskemiddel

Gå til programmeringsmenuen ved at benytte følgende fremgangsmåde: Åbn en af lågerne, og hold knapperne G og L trykket nede samtidigt et par sekunder, indtil teksten "tH" vises. Tryk herefter på knappen A, indtil teksten "dL" vises i den første rude.



I den anden rude vises den indstillede værdi i sekunder. Det er muligt at øge eller reducere driftstiden ved hjælp af knapperne L og G.
Bemærk: Punktummet angiver 0,5 sekund.

Afspændingsmiddel

Tryk på knappen A efter indstilling af opvaskemiddel mængden for at skifte til den efterfølgende parameter og vise teksten "bL" (afspændingsmiddel). Øg eller reducer driftstiden ved hjælp af knapperne L og G.



3.3 BRUGERMEDDELELSER

Displaymeddelelse	Beskrivelse af funktion
do	En af maskinens låger står åben.
b	Skyllevandets temperatur
t	Vaskevandets temperatur

3.4 FEJLMEDDELELSER

Maskinen er i stand til at genkende forskellige former for fejl.

Her følger en kort beskrivelse af de indgreb, som skal udføres, hvis displayet viser teksten "ERR ..."

Vis. display	Alarm	Beskrivelse af konstateret fejl.
Er 02	Manglende afløb	Kontrollér afløbsslangerne, og kontrollér, at de ikke er tilstoppede. For maskiner, som er udstyret med funktionen "for fyldt" skal det kontrolleres, at denne visning er fjernet. Hvis problemet vedvarer, kan der muligvis være brud på den elektriske afløbspumpe, kontakt et servicecenter.
"Er. 03"	Timeout for varmestop	Boilerens temperatur har ikke nået indstillingspunktet under opvaskecyklussen. Opvarmningen af boileren deaktiveres Kontakt det autoriserede servicecenter
"Er. 04"	Timeout for påfyldning af tank	Manglende opnåelse af vandniveau i vandtanken. Sluk og tænd maskinen og kontrollér, at du har indstillet "For fyldt" funktionerne korrekt og at have åbnet for vandforsyningen. Hvis det ikke er tilfældet, skal du henvende dig til det autoriserede servicecenter.
"Er. 05 Er 06"	Tanksonde åben	Beskadiget tanksonde. Tankens opvarmning forhindres. Kontakt det autoriserede servicecenter
"Er. 07 Er .08"	Åben boilersonde	Beskadiget boilersonde. Boilerens opvarmning forhindres. Kontakt det autoriserede servicecenter
"er ht	For høj tanktemperatur	B4 > Max.tanktemp. Tankens opvarmning forhindres
"er Hb"	For høj boilerens temperatur	B2 > Max.boilertemp. Boilerens opvarmning forhindres
"er sf"	Elektromekanisk sikkerhedsanordning	Der kan være aktiveret sikkerhedstermostater. Sluk og tænd maskinen. Hvis problemet vedvarer, skal du henvende dig til et autoriseret teknisk servicecenter.
"er 09"	Timeout for fyldning af boiler	Problem med boilerens vandforsyning. Kontrollér, at vandforsyningen er åbnet korrekt, og at der er tilstrækkelig vandforsyning fra nettet i henhold til det, som er angivet på maskinens dataskilt. Sluk og tænd maskinen, hvis problemet vedvarer, og kontakt det tekniske servicecenter.
"er 01"	Der er ikke udført skylning	Der er ikke udført korrekt skylning af de genstande, som er fyldt i opvaskemaskinen. Kontrollér, at spulerarmenes dyser ikke er tilstoppede. Hvis problemet vedvarer, skal du kontakte det tekniske servicecenter.

“er SL”	Niveausikkerhed	Problem med vandafløb. Den elektriske afløbspumpe har ikke udført korrekt afløb. Kontrollér afløbsslangerne. Kontakt det tekniske servicecenter, hvis problemet vedvarer.
“Er rb”	Forsøg på nulstilling - fejl 09	Maskinen viser denne meddelelse, når den forsøger at afhjælpe problem med påfyldning af boiler.
“Er 22”	Timeout for tanks varmestop	Problem med vandboilerens opvarmning. Kontakt et teknisk servicecenter.
“no ns”	Mangler salt (advarsel) (warning)	(maskiner udstyret med vandblødgøring). Hæld salt i saltbeholderen, som findes i vandtanken.
“no dn”	Mangler opvaskemiddel (advarsel) (warning)	
“no bn”	Manglende afspændingsmiddel (advarsel) (warning)	
“no na”	Vedligeholdelse af vandblødgøring (advarsel) (warning)	(maskiner udstyret med udvendig vandblødgøring) Udfør un regenerering af plastdelene.
“no 13”	Break tank tom (advarsel) (warning)	Hvis meddelelsen vises hyppigt, skal det kontrolleres, at vandforsyningsnettet tilfører en tilstrækkelig vandmængde til maskinens behov.

Advarsel: Slukning og den efterfølgende tænding af maskinen ”tilbagestiller” signaleringen, som derfor vises på ny, hvis problemet ikke er blevet afhjulpert.

KAP.4 SIKKERHEDSPÅBUD



4.1 TILBAGEVÆRENDE RISICI OG ADVARSLER

- Åben aldrig døren med en hurtig bevægelse, hvis maskinen ikke har afsluttet sin cyklus.
- Put aldrig hænderne ubeskyttet ned i vaskeopløsningen.
- Fjern aldrig maskinens paneler uden forudgående frakobling af forsyningen før maskinen.
- Det specialiserede personale, der foretager installationen og den elektriske tilslutning, skal instruere brugeren omkring maskinens drift og de eventuelle sikkerhedsforanstaltninger, som skal overholdes.
- Installatøren skal desuden give brugeren en praktisk instruktion om maskinens brug og han skal efterlade de skriftlige instruktioner, som bliver leveret sammen med selve maskinen.
- Dette apparat må kun anvendes til det formål, hvortil det udtrykkeligt er beregnet. Enhver anden brug må regnes for forkert og derfor farlig.
- Maskinen bør ikke betjenes af uinstrueret personale.
- Benyt ALDRIG maskinen uden den beskyttelse (mikrokontakter, afskærmninger, etc.) konstruktøren har udstyret maskinen med, hvis ikke der er en kvalificeret tekniker til stede, som tager de nødvendige foranstaltninger.
- Benyt ALDRIG maskinen til at vaske genstande i en form, type, størrelse, eller materiale, der ikke stemmer overens med de af konstruktørens indikerede.
- En eventuel reparation af maskinen må kun udføres af konstruktionsfirmaet eller et autoriseret assistance center, og der må kun benyttes originale reservedele.
- Hvis disse normer ikke respekteres, kan maskinens sikkerhed ødelægges.
- Maskinen må ikke forblive under spænding, når den ikke anvendes.
- Vaskemidlet, der benyttes, skal være af den lavtskummende slags til industriel brug

4.2 NORMAL SERVICE KÅR

Omgivende Temperatur : 40°Cmax 4°Cmin (gennemsnit 30°C)

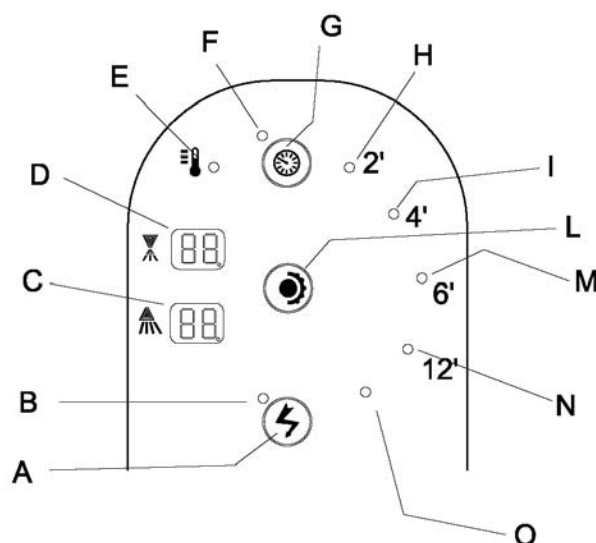
Højde : indtil 2000 meter-

Relativ humidity : max 30% henne ved max 90% henne ved 20°C

Befordre og Opbevaring : imellem 10°C og 55°C hos fred indtil 70°C (max 24 h)

KAP.5 BRUG AF MASKINE

5.1 BESKRIVELSE AF BETJENINGSKNAPPER



Knap/signalering	Funktion
A	Maskinens ON/OFF-knap
B	Kontrollampe for strømforsyning
C	Display for opvaske­temperatur
D	Display for skylle­temperatur
E	Kontrollampe for klar maskine
F	Kontrollampe for program i gang
G	Startknap
H	Kontrollampe for 2 min. program
I	Kontrollampe for 4 min. program
L	Knap til valg af opvaske­program
M	Kontrollampe for 6 min. program
N	Kontrollampe for 12 min. program
O	Kontrollampe der mangler opvaske­middel.

5.2 BRUG

Se figuren på s. 9

1) Kontrollér, at overløbet og filtrene er anbragt i vaskekammeret. Kontrollér herefter, at opvaskemiddel- og afspændingsmiddelmængden er korrekt, og at vandforsyningen er åben.

2) Tryk på knappen A. Kontrollampen B tændes, og maskinen påfylder og opvarmer vandet.

3) Kontrollampen A lyser grønt, når maskinen er fyldt og er klar til brug.

4) Vælg opvaskeprogrammet ved hjælp af knappen L.

5) Anbring en kurv med service, som skal vaskes (se kapitel 6.3 "Fyldning af kurve").

6) Luk lågen, og start opvasken ved hjælp af knappen G.

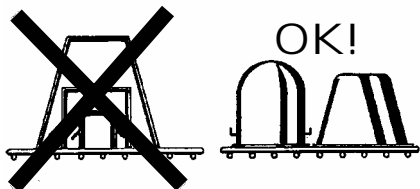
ADVARSEL: Opvasken kan afbrydes på et hvilket som helst tidspunkt ved at trykke på knappen G. Endvidere er det muligt at slukke maskinen ved at trykke på knappen A.

7) Bemærk, at kontrollampen F i nærheden af startknappen tændes, og at kontrollampen for det valgte opvaskeprogram blinker.

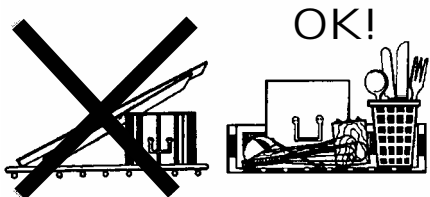
8) Når opvaskeprogrammet er afsluttet, slukkes kontrollampen F, og kontrollampen for det valgte opvaskeprogram lyser konstant.

9) Sluk maskinen ved hjælp af knappen A efter brug. Følg anvisningerne i kapitel 6.4 "Efter brug".

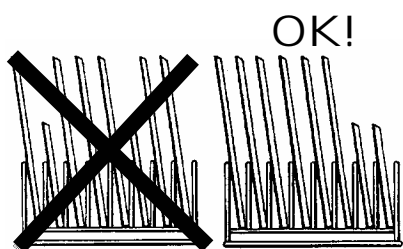
5.3 ANBRINGELSE AF SERVICET



- Læg ikke hænderne ubeskyttede ned i vaskeluden, sæt kopper og glas med bunden opad i kurvene. Placer tallerkner, kopper og glas med bunden opad i kurvene. Placer tallerknerne i den dertilhørende kurv med støttefingre, med indersiden opad .

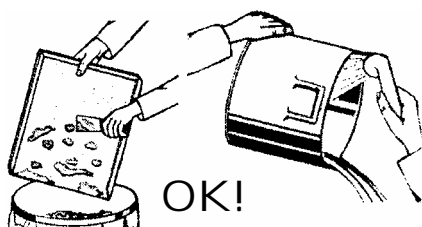


- Sæt bestik og teskeer med grebet nederst.
- Sætt ikke sølvbestik og bestik i rustfritstål i samme bestikkurv, da dette medfører at sølvtøjet spoles og bestikket i rustfrit stål korroderes.



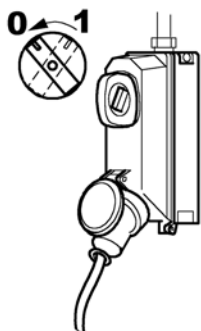
- Benyt kurve specielt udtænkt til de forskellige slags service (tallekner, glas, kopper, bestik, osv.). For at spare vaskemiddel og strømforbrug, vask kun med fyldte kurve, dog uden at overfylde dem.

For at mindske vedligeholdelsen **MEST MULIGT ANBEFALER VI EN FORRENGØRING** af servicet. Fjernelse af madrester, citronskaller, tandstikker og olivensten osv. som etv. kan tilstoppe elektropumpens filtre, forbedrer væsentlig kvaliteten af det endelige resultat.

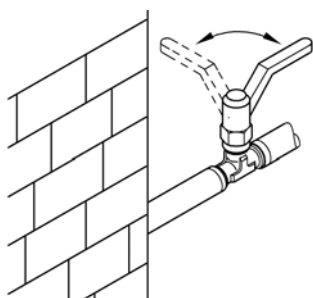


Det anbefales at vaske servicet inden eventuelle madrester tørrer ind på overfladen. I tilfælde af indtørrede rester, er det anbefalelseverdigt at sætte servicet og bestikket i blød, inden det sættes i maskinen.

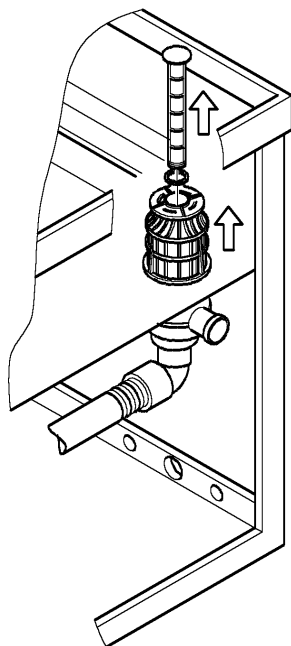
5.4 VED ENDT OPVASK



- Fjern spændigen fra maskinen
- Åben døren og træk kurven med det rene service ud.
- Udled vandet fra kummen ved at fjerne flyderen. For modeller med vandudledningspumpe, følg "Brugs Instruktionerne".



- Afbryd general afbryderen.
- Luk den saracenske ventil for den hydrauliske forbindelse.
- Fjern filtrene, rens dem under løbende vand og med en nylon børste.
- Vær opmærksom på, at det snavs, der er efterladt på bunden af vandudlednings pumpens filter, ikke falder ned i kummen.



NOTA: Vask ikke maskinen med vandkast eller med højtryksrens, idet eventuelle vandinfiltrationer, kan beskadige de elektriske komponenter, hvilket kan forhindre, at maskinen fungerer korrekt. Dette dækkes ikke af garantien.

KAP.6 VEDLIGEHOLDELSE

6.1 GENERELLE REGLER

Maskinerne er konstruerede for at reducere vedligeholdelses kravene. Reglerne, som følger, må i alle tilfælde respekteres for at garantere en lang holdbarhed og en drift uden vanskeligheder.

I alle tilfælde, må de generelle sikkerhedsregler respekteres for at holde maskinerne i perfekt stand:

- maskinen skal holdes ren og i orden
- undgå at provisoriske reparationer gentager sig

Overhold strengt reglerne for vedligeholdelse; alle maskinens dele skal periodemæssigt efterses for at undgå, at der opstår evt. anomalier.

Inden start af rengøring, skal strømmen tages fra maskinen.

6.2 PERIODISK VEDLIGEHOLDELSE (skal gennemføres mindst hver 20. dag)

For at lette følgende operationer, kan rammen, der holder kurvene, tages ud.

- Skil den øverste og den nederste skyllearm ad, ved at skrue komponenten indikeret med fra hinanden.
 - Skru alle forstøverne af og gør dem rene. Sæt dem på plads igen.
 - Skil den øverste og den nederste vaskearme ad ved at skrue skylleaksen ad, rens og skyld dem.
 - Fjern vaskepumpens filter gør det rent og skyl det
 - Dernæst skal vaskekarret gøres grundigt rent.
 - Lad maskinens låg stå åbent under hele hvileperioden.
 - Pga. kalk og magnesium indeholdt i vandet opstår der efter en vis periode-afhængig af vandets hårdhedsgrad en tilkalkning indvendigt i vandvarmerkarret og i røerne, som kan skade driften af maskinen.
 - Derfor skal man sørge for en periodemæssig afkalkning, som ve anbefaler udføres af teknisk kvalificeret personale.
 - I tilfælde-af at maskinen skulle henstå ubrugt i længere tid skal overfladerne i stål indsmøres i vaselineolie.
-

- Hvis der er fare for, at der kan opstå is, skal kvalificeret personale tilkaldes for at lede vandet ud, dels af kogeren, dels af vaske pompen.



- **I tilfælde af at maskinen fungerer dårligt eller der er opstået skader, skal De henvende Dem til et teknisk assistance center autoriseret af maskinens konstruktør eller en koncessionsindehaver.**

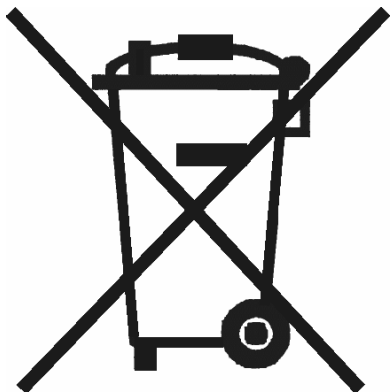
KAP.7 NEDTAGNING

7.1 NEDTAGNING AF MASKINEN

På vores maskiner findes intet materiale, der kræver en speciel procedure ved nedtagning.

7.2 KORREKT AFFALDSBORTSKAFFLES AF DETTE PRODUKT

(elektrisk & elektronisk udstyr)



Mærket på dette produkt medfølgende dokumentation betyder, at produktet ikke må bortskaffes sammen med almindeligt husholdningsaffald efter endt levetid. For at undgå skadelige miljø- eller sundhedspåvirkninger på grund af ukontrolleret affaldsbortskaffelse skal dette produkt bortskaffes særskilt fra andet affald og indleveres behørigt til fremme for bæredygtig materiale genvinding.

Hjemmebrugere bedes kontakte forhandleren, hvor de har købt produktet, eller den lokale myndighed for oplysning om, hvor og hvordan de kan indlevere produktet med henblik på miljøforsvarlig genvinding.

Erhvervsbrugere bedes kontakte leverandøren og læse betingelserne og vilkårene i købekontrakten. Dette produkt bør ikke bortskaffes sammen med andet erhvervsaffald.

INNEHÅLLSFÖRTECKNING

KAP.1	INLEDNING	3
KAP.2	INSTALLATION	3
2.1	FLYTT OCH UPPACKNING	3
2.2	ELANSLUTNING.....	4
2.3	HYDRAULANSLUTNING.....	4
2.4	ANSLUTNING TILL AVLOPPSLEDNINGEN.....	5
KAP.3	INSTÄLLNINGAR	5
3.1	INSTÄLLNING AV DRIFTTEMPERATURER	5
3.2	INSTÄLLNING AV DISK- OCH SKÖLJGLANSMEDELSMÄNGD	6
3.3	ANVÄNDARMEDELANDEN.....	7
3.4	FELMEDELANDEN.....	7
KAP.4	SÄKERHETSANVISNINGAR	8
4.1	ÖVRIGA RISKER OCH VARNINGAR.....	8
4.2	NORMAL TJÄNST FÖRFATTNINGARNA.....	8
KAP.5	ANVÄNDNING AV MASKINEN	9
5.1	BESKRIVNING AV REGLAGE	9
5.2	ANVÄNDNING	10
5.3	PLACERING AV DISKGODS.....	11
5.4	HANDLINGAR VILKA UTFÖRS VID SLUTET AV.....	12
KAP.6	SKÖTSEL	13
6.1	ALLMÄNT	13
6.2	PERIODISKT UNDERHÅLL (utförs minst varannan eller var tredje dag).....	13
KAP.7	DEMOLERING	14
7.1	DEMOLERING AV DISKMASKINEN	14
7.2	OREKT AVFALLSHANTERING AV PRODUKTEN	14

KAP.1 INLEDNING

Varningsföreskrifterna i denna bruksanvisning ger viktiga säkerhetsanvisningar för installation, användning och underhåll.

Operatören ska läsa denna bruksanvisning före flytt, installation, användning, underhåll eller avställning av denna maskin. Bruksanvisningen ska därför förvaras väl på en säker plats. Ta eventuellt kopior på bruksanvisningen som kan användas för dagligt bruk.

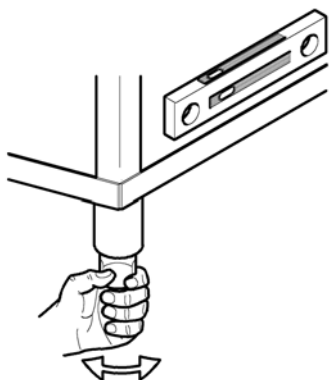
KAP.2 INSTALLATION

2.1 FLYTT OCH UPPACKNING

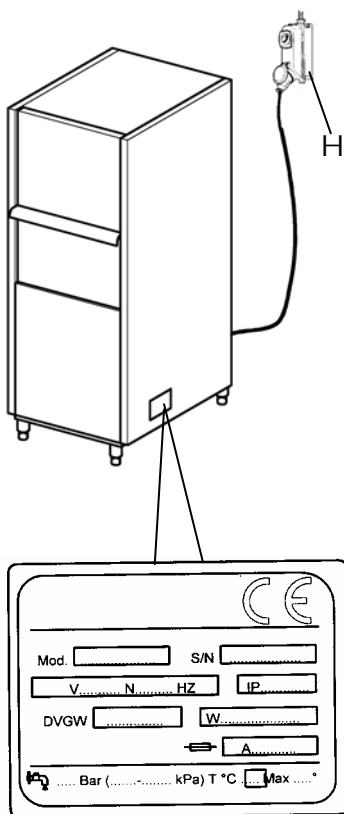


- Flytten ska utföras mycket försiktigt med gaffeltruck.
- Kontrollera att maskinen är hel. Meddela omedelbart eventuella synliga skador till återförsäljaren eller transportören som har utfört transporten. Vid tveksamheter ska maskinen inte användas förrän den har kontrollerats av specialiserad personal.
- Transportera maskinen till installationsplatsen och packa upp den ur emballaget.

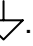
Emballaget (plastpåsar, frigolit, spikar o.s.v.) ska förvaras oåtkomligt för barn då det utgör en potentiell fara.



- Installationen ska utföras enligt tillverkarens instruktioner och av kvalificerad personal.
- Denna maskin lämpar sig enbart för en fast anslutning.
- Ställ maskinen på plats och nivellera den med justerfötterna.
- Golvet måste klara maskinens totala vikt.
- Följ anvisningarna i maskinens installationsschema och förbered disklokalens el-, hydraul- och avloppssystem.



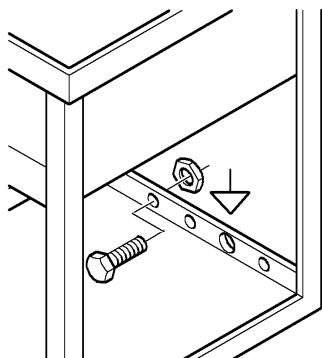
2.2 ELANSLUTNING

1. Anslutningen till elnätet ska utföras med en huvudströmbrytare(H) den ska vara allpolig och avbryta samtliga kontakter inklusive nollan med ett minsta avstånd mellan kontakterna på 5 mm. Den ska ha ett termomagnetiskt skydd och säkringar som klarar max. märkström.
2. Kontrollera att nätspänningen och –frekvensen överensstämmer med de på märkplåten som är placerad på maskinen högra sida.
3. Ett effektivt jordningssystem i enlighet med gällande säkerhetsföreskrifter garanterar operatörens och maskinens säkerhet.
4. Det är strängt förbjudet att använda adaptrar, multipeluttag och förlängningsladdar.
5. Maskinen bör dessutom ingå i ett ekvipotentialt system, vars koppling sker genom en skruv med symbolen . Ekvipotentialledaren måste ha en indelning på 10mm².



Den medföljande elsladden får endast bytas ut mot en med samma tvärsnitt av typ H07RN-F.

Se bifogat elschema för ytterligare information.



2.3 HYDRAULANSLUTNING

Förbered lokalen enligt det bifogade hydraulschemat.

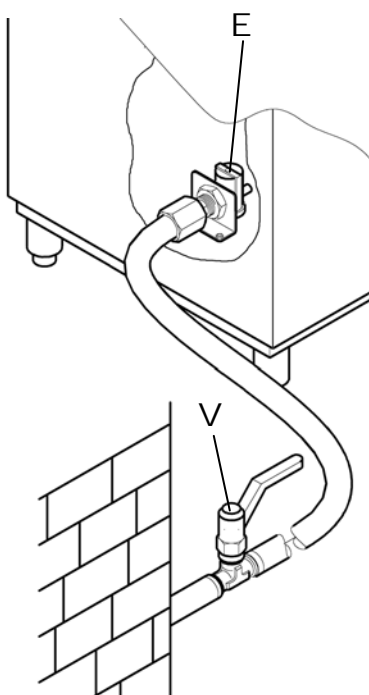
Kontrollera att det har installerats en slussventil mellan vattennätet och maskinen innan maskinen ansluts. Slussventilen gör att det vid behov eller en eventuell reparation går att avbryta vattentillförseln.

Anslut magnetventilen (E) till slussventilen (V) med en slang och kontrollera att vattentillförseln är minst 20 l/min.

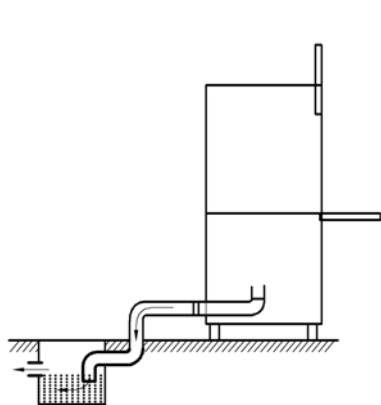
Kontrollera att det tillförda vattnets temperatur och tryck överensstämmer med de på märkplåten.

Om vattnets hårdhetsgrad är högre än den som indikeras i tabellen, rekommenderas det att installera en avhårdare före magnetventilen för försörjning av maskinen.

Om det förekommer stora mängder mineraler med hög ledningsförmåga i vattnet, rekommenderas det att installera ett avsaltningssystem som är inställt på att ge en kvarstående hårdhetsgrad enligt tabellen nedan.



	Egenskaper		Från	Till
Hårdhetsgrad	Franska grader	f	5	10
	Tyska grader	°dH	4	7'5
	Engelska grader	°e	5	9,5
Kvarstående mineraler	Miljondelar	ppm	70	140
	Max.	mg/l	300/400	



2.4 ANSLUTNING TILL AVLOPPSLEDNINGEN

Tömningen av diskutrymmet sker via självtryck och avloppet måste därför vara placerat lägre än maskinbasen.

Avloppsändan ska anslutas med en slang till en golvbrunn eller ett avlopp med vattenlås.

Maskinavloppets dimensioner anges i installationsschemat.

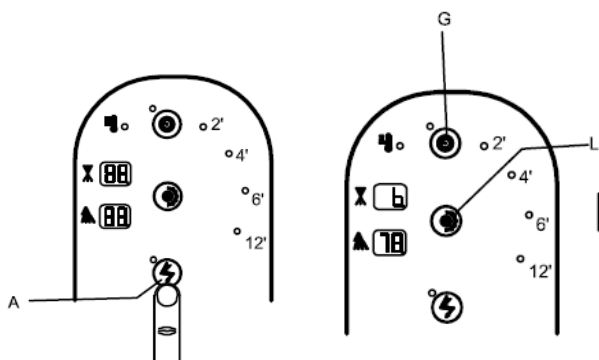
KAP.3 INSTÄLLNINGAR

3.1 INSTÄLLNING AV DRIFTTEMPERATURER

Du kan ställa in varmvattenberedarens uppvärmningstemperatur (sköljvatten) och/eller temperaturen i diskammaren.

Temperaturbörvärde för varmvattenberedarens sköljvatten:

Slå på maskinen genom att hålla PÅ/AV-knappen A nedtryckt i några sekunder tills texten b och 78 °C visas. Öka eller minska börvärdet med knapparna G och L.



Temperaturbörvärde i diskammaren:

Tryck därefter på knappen A tills texten t och 55 visas. Ställ in börvärdet med knapparna G och L.



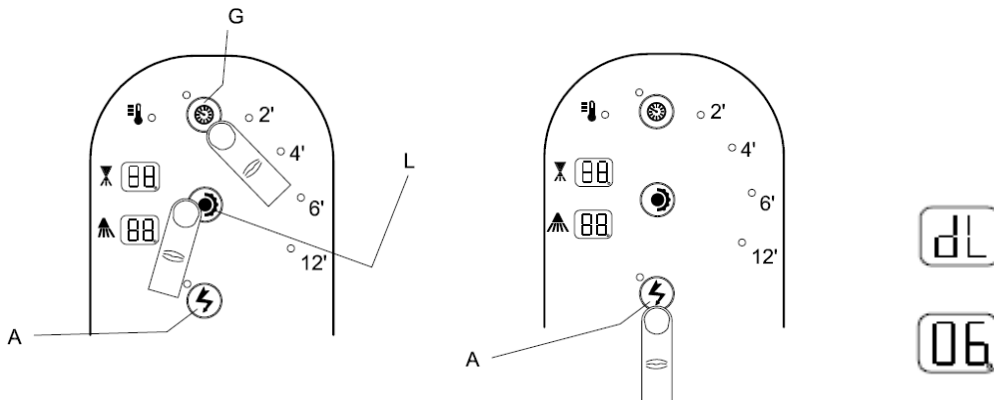
Håll knappen A nedtryckt när du har ställt in temperaturerna och vill gå tillbaka till föregående parameter.

3.2 INSTÄLLNING AV DISK- OCH SKÖLJGLANSMEDELSMÄNGD

Du kan ställa in disk- och sköljglansmedelsmängden genom att ställa in respektive pumps drifttid.

Diskmedel

Gå in i programmeringsmenyn på följande sätt: Öppna en av luckorna. Håll knapparna G och L nedtryckta samtidigt i några sekunder tills texten tH visas. Tryck därefter på knappen A tills texten dL visas i den första rutan.



I den andra rutan visas det inställda värdet i sekunder. Du kan öka eller minska drifttiden med knapparna G och L.
OBS! Punkten anger en halv sekund.

Sköljglansmedel

Efter inställningen av diskmedelsmängden ska du återigen trycka på knappen A för att bläddra till nästa alternativ och visa bL för sköljglansmedel. Öka eller minska drifttiden med knapparna G och L.



3.3 ANVÄNDARMEDELANDEN

Meddelande på displayen	Funktionsbeskrivning
do	En av maskinens luckor är öppen.
b	Sköljvattnets temperatur.
t	Diskvattnets temperatur.

3.4 FELMEDELANDEN

Maskinen känner igen olika felfunktioner.

Nedan följer en kort beskrivning över vad du ska göra om displayen visar ERR

Display-visning	Larm	Beskrivning av fel som har uppstått
Er 02	Maskinen tömmer inte	Se över rörledningarna för tömning och kontrollera att de inte är igensatta. För maskiner med överfyllnadsskydd ska du kontrollera att detta inte har tagits bort. Om problemet kvarstår kan detta bero på ett brott på elpumpen för tömning. Kontakta en serviceverkstad.
"Er. 03"	Tidsutlösning thermostop	Temperaturen för varmvattenberedaren har inte nått börvärdet inom förlängningen av diskcykelns fas för arbetscykeln. Varmvattenberedarens uppvärmning deaktiveras. Kontakta auktoriserad teknisk serviceassistans.
"Er. 04"	Tidsutlösning påfyllning av diskutrymme	Vattennivån har uppnåtts i diskutrymmet. Stäng av och sätt på maskinen igen och kontrollera att överfyllnadsskydden sitter korrekt och att vattenmatningen är öppen. Kontakta auktoriserad teknisk serviceassistans om detta inte hjälper.
"Er. 05 Er 06"	Givare för diskutrymme öppen	Diskutrymmets givare är trasig. Uppvärmningen av diskutrymmet hindras. Kontakta auktoriserad teknisk serviceassistans.
"Er. 07 Er .08"	Givare för varmvattenberedare öppen	Varmvattenberedarens givare är trasig. Varmvattenberedarens uppvärmning hindras. Kontakta auktoriserad teknisk serviceassistans.
"er ht	För hög temperatur i diskutrymmet	B4 > TempDiskMax. Uppvärmningen av diskutrymmet hindras
"Er Hb"	För hög temperatur för varmvattenberedare	B2 > TempV.ber.Max. Uppvärmningen av varmvattenberedaren hindras
"Er sf"	Elektromekaniskt skydd	Troligtvis har någon säkerhetstermostat löst ut. Stäng av och sätt på maskinen igen. Om problemet kvarstår kontakta auktoriserad teknisk serviceassistans.
"Er 09"	Tidutlösning påfyllning av varmvattenberedare	Problem med tömningen av varmvattenberedaren. Kontrollera att vattenmatningen är öppen på ett korrekt sätt och att kapaciteten för vattennätet är tillräcklig enligt vad som anges på maskinens märkskylt. Stäng av och sätt på maskinen igen. Om problemet kvarstår kontakta auktoriserad teknisk serviceassistans.
"Er 01"	Sköljning har inte utförts	Dysken sköljs inte på ett korrekt sätt. Kontrollera att sprutmunstyckena på spolarmarna inte är igensatta. Om problemet kvarstår kontakta teknisk assistans.

"Er SL"	Nivåskydd	Problem med vattentömningen. Elpumpen för tömningen har inte tömt på ett korrekt sätt. Kontrollera rörledningarna för tömningen och kontakta teknisk assistans om problemet kvarstår.
"Er rb"	Återställningsförsök fel 09	Maskinen visar detta meddelande när den försöker lösa problem med att fylla på varmvattenberedaren.
"Er 22"	Tidsutlösning termostop diskutrymme	Problem med uppvärmning av varmvattenberedare. Kontakta en serviceverkstad.
"nos"	Slut på salt (varning)	(Maskiner försedda med vattenavhårdare) Fyll på salt i därtill avsedd behållare som sitter i diskutrymmet.
"nodn"	Slut på diskmedel (varning)	
"nobs"	Slut på sköljmedel (varning)	
"nons"	Underhåll vattenavhårdare (varning)	(Maskiner försedda med vattenavhårdare). Utför en återställning av hartserna.
"no13"	Tomt övergångskärl (varning)	Om detta meddelande visas ofta ska du kontrollera att kapaciteten för vattennätet är korrekt enligt vad som krävs för maskinen.

Varning! Felmeddelandet återställs när du stänger av och därefter slår på maskinen igen. Felmeddelandet återkommer om problemet kvarstår.

KAP.4 SÄKERHETSANVISNINGAR



4.1 ÖVRIGA RISKER OCH VARNINGAR

- Öppna aldrig luckan hastigt när maskinen fortfarande är i funktion.
- Doppa aldrig ned bara händer i diskmedelslösningen.
- Koppla alltid från eltilförseln till maskinen innan du tar bort maskinens paneler.
- Den fackkunniga personalen, som utför installeringen och den elektriska anslutningen, ska även informera ordentligt om maskinens användning angående dess funktion och de eventuella säkerhetsåtgärder som ska respekteras.
- Installören bör dessutom ge en praktisk demonstration om maskinens användelse, och ska dessutom överlämna skriftliga instruktioner tillsammans med själva maskinen.
- **Diskmaskinen får användas endast för det avsedda ändamålet. All annan användning betraktas som missbruk och kan vara farligt.**
- Okunnig personal får inte använda diskmaskinen.
- Använd ALDRIG maskinen utan skydd (mikrokontakter, paneler o.dyl.) som är förberedda av konstruktören, om man inte är tillsammans med en kvalificerad tekniker, som vidtar försiktighetsåtgärder om så skulle vara fallet.
- Använd ALDRIG maskinen för att diska objekt som är av andra former, typer, mått eller material än de som konstruktören föreskriver.
- Endast tillverkaren eller en av tillverkaren auktoriserad fackman får utföra reparationer. Endast originalreservdelar får användas.
- Om ovanstående anvisningar inte efterlevs, kan diskmaskinens säkerhet äventyras.
- Strömmen skall slås av då diskmaskinen inte är i bruk.
- Diskmedlet skall vara av industriell typ och skumhindrande.

4.2 Normal tjänst författningarna

Omgivande Temperatur : 40°Cmax 4°Cmin (genomsnitt 30°C)

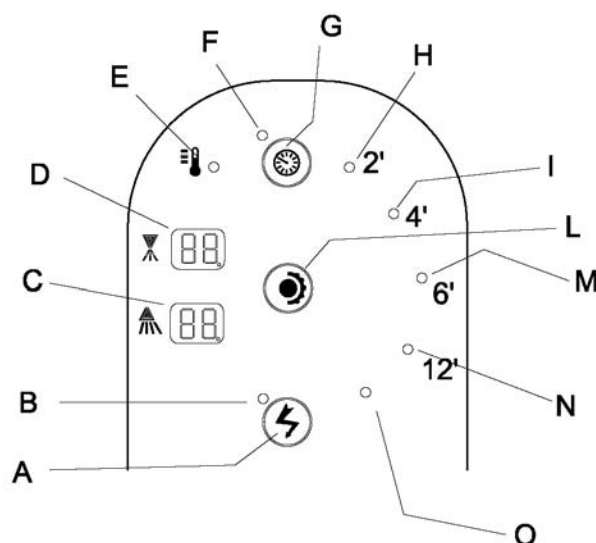
Höjd : till 2000 metre-

Släkting fuktig : max 30% på max 90% på 20°C

Transportera och Lagring : emellan 10°C och 55°C med fred till 70°C (max 24 h)

KAP.5 ANVÄNDNING AV MASKINEN

5.1 BESKRIVNING AV REGLAGE



Knapp/signallampa	Funktion
A	Maskinens PÅ/AV-knapp
B	Signallampa för påslagen maskin
C	Display för disktemperatur
D	Display för sköljtemperatur
E	Signallampa som signalerar att maskinen är klar att användas
F	Signallampa för pågående diskprogram
G	Knapp för start av diskprogram
H	Signallampa för val av 2 minuters diskprogram
I	Signallampa för val av 4 minuters diskprogram
L	Knapp för val av diskprogram
M	Signallampa för val av 6 minuters diskprogram
N	Signallampa för val av 12 minuters diskprogram
O	Signallampa för det saknas diskmedel

5.2 ANVÄNDNING

Se figuren på 9 sid.

1) Kontrollera att bräddavloppsproppen och diskammarens filter har satts i korrekt. Kontrollera därefter disk- och sköljglansmedelsmängden och att vattenkranen är öppen.

2) Tryck på knappen A. Signallampan B tänds. Maskinen tar in och värmer upp vattnet.

3) När maskinen har tagit in vatten och är klar att användas, tänds signallampan A och lyser grönt.

4) Välj diskprogram med knappen L.

5) Sätt in en korg med diskgoods (se kapitel **6.3 Laddning av korgar**).

6) Stäng luckan och starta diskprogrammet med knappen G.

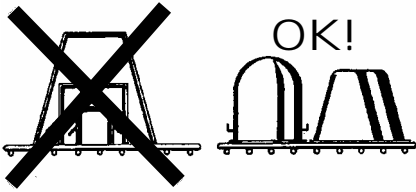
WARNING! Det går när som helst att stoppa diskprogrammet med knappen G eller t.o.m. stänga av maskinen med knappen A.

7) Lägg märke till att signallampan F intill knappen för start av diskprogram tänds och att signallampan för valt diskprogram blinkar.

8) När diskprogrammet är klart släcks signallampan F och signallampan för valt diskprogram lyser med fast sken.

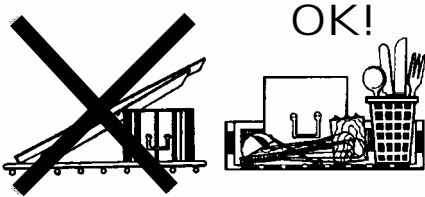
9) Stäng av maskinen med knappen A efter avslutad användning och följ anvisningarna i kapitel **6.4 Moment efter användning**.

5.3 PLACERING AV DISKGODS



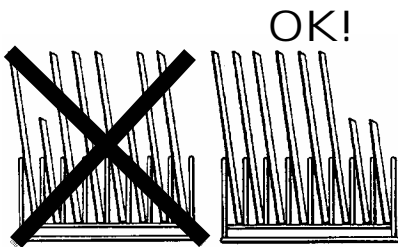
- Doppa inte bara händer i tvättluten, placera kopparna och glasen upp och ner i korgarna. Sätt in tallrikarna, i den avsedda korgen med hållare, med den inre sidan uppåtriktad.

- Sätt in besticken och kaffeskedarna, med skaften nedåt .

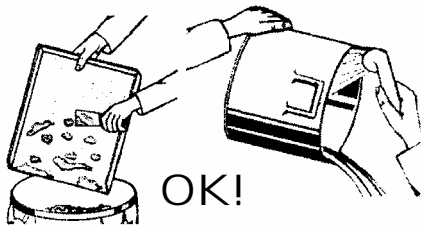


- Placera inte silverbestick och bestick i rostfritt stål i samma bestickkorg, eftersom det skulle kunna orsaka brunering på silvret och sannolik korrosion på det rostfria stålet.

- Använd de särskilda korgarna, avsedda för olika typer av diskgodset (tallrikar, glas, koppar, bestick etc.). För att spara diskmedel och elenergi skall man endast diska med fulla korgar, emellertid utan att överbelasta dem. Undvik att sätta diskgodset ovanpå varandra.

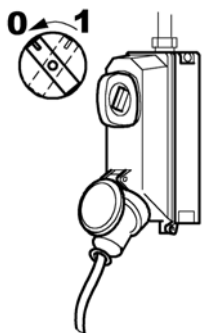


I syfte att minska underhållet till minimum, **REKOMMENDERAR VI EN FÖREBYFGGANDE RENGÖRING** av diskgodset. Genom att avlägsna matrester, citronskal, tandpetare, olivkärnor etc, som delvis kan täppa till elpumpens filter, och på så sätt minska effektiviteten av diskningen, förbättras kvalitén och slutresultatet väsentligt.

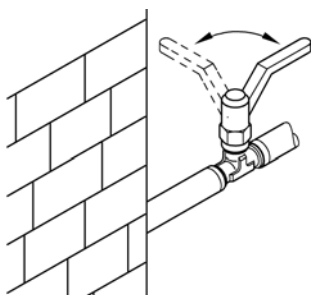


Diskgodset bör diskas innan matresterna torkar på ytorna. I händelse av torkade matrester bör dessa mjukas upp innan diskgodset och besticken sätts in i maskinen.

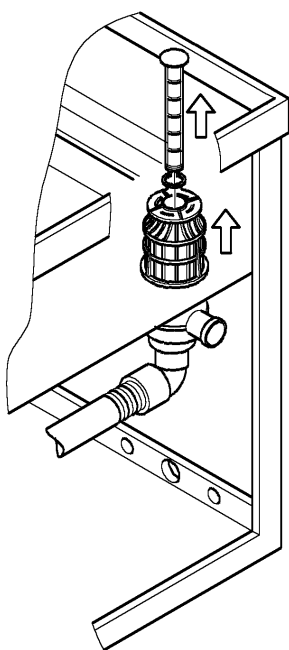
5.4 HANDLINGAR VILKA UTFÖRS VID SLUTET AV DISKNINGEN



- Avlägsna spänningen i maskinen.
- Öppna luckan och dra ut korgen med den rena disken.
- Tömm ut vattnet från trumman genom att avlägsna det uppfyllande elementet. För modellen med uttömningspump ska man hålla sig till de handlingar som beskrivs i paragrafen "Bruksanvisning".



- Koppla bort generalströmbrytaren på ovansidan av maskinen.
- Stäng jalousinventilen för den hydrauliska kopplingen.
- Avlägsna filtren, rengör dem under rinnande vatten med en diskborste.



- Var noggrann med att inte låta resterande matrester trilla ner på botten av filtret till uttömningspumpen inne i trumman. Rengör trumman med normalrinnande vatten. Rengör de yttre ytorna när de svalnat med icke repande medel, som är specialgjorda för underhåll av stålytor.

ANMÄRKNING: Rengör inte maskinen med direkt eller med hårt tryckande rinnande vatten, eftersom eventuella infiltreringar till de elektriska komponenterna skulle kunna tränga in och skada maskinens reglerade funktioner och de olika säkerhetssystemen, och ogiltiggöra garantin.

KAP.6 SKÖTSEL

6.1 ALLMÄNT

Diskmaskiner med transportör har designats med tanke på en möjligast problemfri och enkel service. Med iakttagande av följande anvisningar, som skall följas i alla fall för garantins skull, kan du förlänga maskinens bruksålder och diskning utan störningar.

- håll maskinen ren och i ordning
- undvik provisorska ogenomtänkta reparationer

Service bör vara regelbunden och omsorgsfull-maskinens delar bör ses över regelbundet för att eventuella problem skall uppdagas och åtgärdas.

Innan man börjar att rengöra ska man koppla ur maskinens elektriska inmatning.

6.2 PERIODISKT UNDERHÅLL (utförs minst varannan eller var tredje dag)

För att underlätta de följande handlingar kan man ta bort infattningen, som bär upp korgarna, från sitt fäste.

- Plocka isär de övre och undre sköljarmarna, genom att skruva loss låsregeln.
 - Skruva loss och rengör alla sprutmunstycken och återmontera dem på plats.
 - Plocka isär de övre och undre tvättarmarna genom att skruva loss sköljbulten rengör dem och skölj dem igen.
 - Ta bort diskpumpens filter. Rengör det och skölj den.
 - Rengör därefter mycket noga diskbehållaren.
 - Låt maskinens lucka stå öppen under hela viloperioden.
 - På grund av kalciumsalt och magnesiumsalt som förekommer i vattnet bildas, efter en viss driftsperiod som är variabel i förhållande till vattnets hårdhet, på insidan av ytorna i boilerens behållare och av rörledningarna en kalkbeläggning som kan orsaka en försämring av maskinens funktion.
 - Därför skall man sörja för att beläggningen periodiskt avlägsnas, vilket vi råder Er att låta utföras av tekniskt kvalificerad personal.
 - Om maskinen skall stå överksam under en längre tid skall ståytorna oljas med vaselinolja.
-

- Om det finns risk för isbildning skall vattnet tömmas från boilern och från diskpumpen av tekniskt kvalificerad personal.



- **I händelse av otillfredsställande funktion eller fel, kontakta uteslutande en servicetjänst som auktoriserats av konstruktören för utrustningen eller av dennes återförsäljare.**

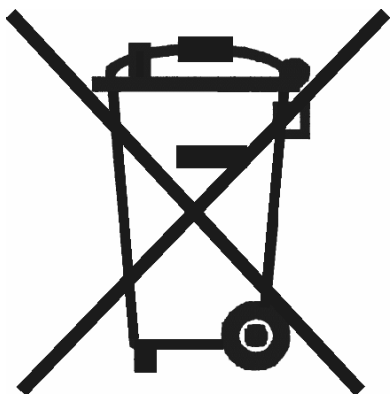
KAP.7 DEMOLERING

7.1 DEMOLERING AV DISKMASKINEN

Denna diskmaskin kräver inga specialåtgärder vid demolering.

7.2 KOREKT AVFALLSHANTERING AV PRODUKTEN

(elektriska och elektroniska produkter)



Denna märkning på produkten och i manualen anger att den inte bör sorteras tillsammans med annat hushållsavfall när dess livstid är över. Till förebyggande av skada på miljö och hälsa produkten hanteras för ändamålsenlig återvinning av dess beståndsdelar.

Hushållsanvändare bör kontakta den återförsäljare som sålt produkten eller sin kommun för vidare information om var och hur produkten kan återvinnas på ett miljösäkert sätt.

Företagsanvändare bör kontakta leverantören samt verifiera angivna villkor i köpekontraktet. Produkten bör inte hanteras tillsammans med annat kommersiellt avfall.

HAKEMISTO

LUKU.1	ESIPUHE	3
LUKU.2	ASENNUS	3
2.1	SIIRTÄMINEN JA PAKKAUKSESTA PURKAMINEN	3
2.2	SÄHKÖLIITÄNTÄ.....	4
2.3	VESILIITÄNTÄ	4
2.4	VIEMÄRILIITÄNTÄ.....	5
LUKU.3	ASETUKSET JA SÄÄDÖT	5
3.1	KÄYTTÖLÄMPÖTILOJEN SÄÄTÖ	5
3.2	PESUAINEN JA HUUHTELUKIRKASTEEN MÄÄRÄN SÄÄTÖ.....	6
3.3	KÄYTTÄJÄN VIESTIT	7
3.4	VIRHEVIESTIT.....	7
LUKU.4	TURVASUOSITUKSET	8
4.1	MUITA RISKEJÄ JA VAROITUKSIA.....	8
4.2	TAVANMUKAINEN ASEPALVELUS OLOSUHTEET	8
LUKU.5	KONEEN KÄYTTÖ	9
5.1	OHJAUSLAITTEIDEN KUVAUS	9
5.2	KÄYTTÖ.....	10
5.3	LAITTEEN KÄYTTÖ.....	11
5.4	ASTIOIDEN ASETUS	12
LUKU.6	KUNNOSAPITO	13
6.1	YLEISTÄ	13
6.2	MÄÄRÄAIKAINEN HUOLTO (suoritettava vähintään joka 20. päivä).....	13
LUKU.7	HÄVITTÄMINEN	14
7.1	ASTIANPESUKONEEN HÄVITTÄMINEN	14
7.2	TÄMÄN TUOTTEEN TURVALLINENE HÄVITTÄMINEN	14

LUKU.1 ESIPUHE

Tämä opas sisältää tärkeitä ohjeita koskien asennuksen, käytön ja huollon eri vaiheiden turvallisuutta.

Laitekäyttäjällä on velvollisuus tutustua tähän oppaaseen ennen minkään siirto-, asennus-, käyttö-, huolto- tai käytöstä poistamistoimenpiteen suorittamista; on siis tärkeää säilyttää opas kokonaisuudessaan varmassa paikassa koko laitteen käyttöajan ja ottaa oppaasta mahdollisia kopioita usein tapahtuvaa oppaan käyttöä silmälläpitäen.

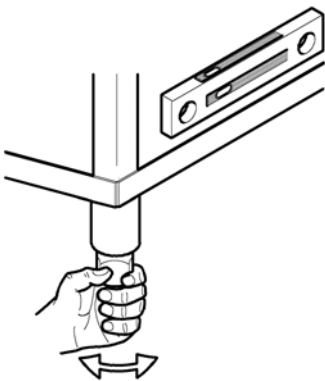
LUKU.2 ASENNUS

2.1 SIIRTÄMINEN JA PAKKAUKSESTA PURKAMINEN



- Laitteen siirtäminen tulee suorittaa erittäin huolellisesti haarukkatrukin avulla.
- Tarkista laitteen eheys ja mikäli siinä on havaittavissa vaurioita, ota välittömästi yhteys laitteen myyjään ja kuljetuksen suorittaneeseen yritykseen. Mikäli et ole varma laitteen kunnosta, älä ota sitä käyttöön ennen kuin ammattitaitoinen henkilö on sen tarkastanut.
- Kuljeta laite sen asentamiseen varattuun tilaan ja pura laite pakkauksesta.

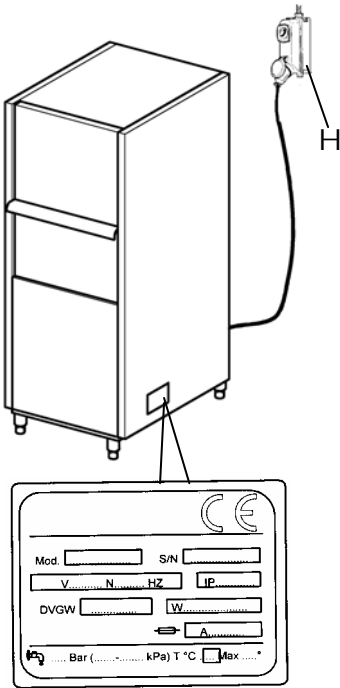
Pakkausmateriaaleja (muovipussit, styrox-levyt, naulat, jne.) ei saa jättää lasten ulottuville niiden sisältämän vaaran vuoksi.




- Asennus tulee suorittaa laitevalmistajan ohjeiden mukaan ja ammattitaitoisen henkilön toimesta.
- Tätä laitetta saa käyttää ainoastaan kiinteässä asennuksessa.
- Sijoita laite sille varattuun paikkaan ja huolehdi siitä, että se on täysin suorassa säätämällä tukijalkoja.
- Lattiatason pitää kyetä kantamaan laitteen kokonaispaino.
- Noudattaen asennuskaaviossa annettuja ohjeita, järjestä pesukoneen asennustilan sähkön ja veden jakelu ja viemäröinti.



2.2 SÄHKÖLIITÄNTÄ



1. Verkkoon liitäntä tulee suorittaa pääkatkaisimen välityksellä (**H**) pääkatkaisimen pitää olla moninapaliitin, joka kytkee irti kaikki koskettimet, myös nollaliittimen ja jossa avointen liittimien välinen etäisyys vähintään 3 mm, varustettu magnetotermisellä turvakytkimellä tai kytketty sulakkeisiin, jotka kykenevät kestämaan tyyppikilvessä osoitetun maksimivirran.
2. Varmistu siitä, että sähköverkon virran jännite ja taajuus vastaavat laitteen tekniset ominaisuudet sisältävässä, laitteen oikealle sivulle kiinnitettyssä tyyppikilvessä osoitettuja arvoja.
3. Voimassa olevien turvamääräysten mukainen tehokas maattokytkeä takaa laitekäyttäjän ja laitteiston turvallisuuden.
4. On ehdottomasti kiellettyä käyttää sovittimia, monijakopistorasioita ja jatkojohtoja.
5. Koneiston täytyy sitäpaitsi sisältyä ekvipotentiaalisiin systeemiin, jonka yhteys järjestetään yhden ruuvin,  tunnistettu symbolilla. Ekvipotentiaalisiin johdolla täytyy olla 10 mm² osa.



Laitteen mukana toimitettava virran syöttöjohto voidaan korvata ainoastaan H07RN-F-tyyppisellä johdolla, jossa sama poikkileikkaus.

Lisätietoja saa liitteenä olevasta sähkökaaviosta.

2.3 VESILIITÄNTÄ

Valmisteleva tila liitteenä toimitetun vesiliitäntäkaavion vaatimukset täyttäväksi.

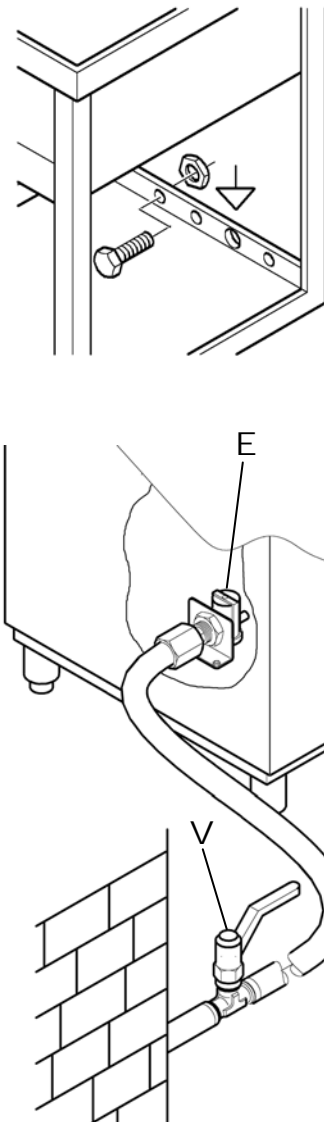
Ennen laitteen liittämistä vesijohtoverkkoon varmistu siitä, että vesijohtoverkon ja laitteen välille on asennettu sulkuventtiili, jonka avulla veden syöttö voidaan keskeyttää tarpeen vaatiessa tai korjausten ajaksi.

Liitä joustavan letkun avulla syötön elektroniventtiili (**E**) sulkuventtiiliin (**V**) ja varmistu siitä, että virtauskapasiteetti on vähintään 20 litraa minuutissa.

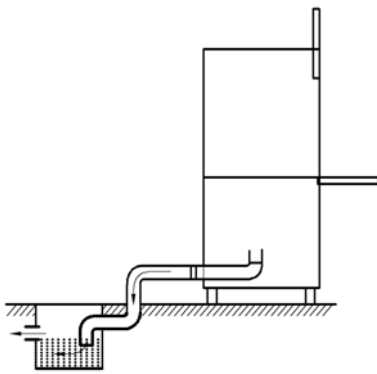
Varmistu siitä, että syöttöveden lämpötila ja paine vastaa tekniset ominaisuudet osoittavassa kilvessä esitettyjä arvoja.

Mikäli veden kovuusaste on suurempi kuin on osoitettu taulukossa, on suositeltavaa asentaa kalkinpoistolaitte laitteen vedensyöttöpuolen elektroniventtiilin yläpuolelle.

Mikäli veden jäljellejäävien mineraalien pitoisuus on erittäin korkea, on suositeltavaa asentaa kalibroitu mineraalinpoistolaitteisto, jotta saadaan aikaan seuraavassa taulukossa osoitettu veden kovuus.



	Ominaisuudet		Alkaen	Saakka
Kovuus	Ranskalaiset asteet	f	5	10
	Saksalaiset asteet	°dH	4	7'5
	Englantilaiset asteet	°e	5	9,5
Jäännösmine- raalit	Miljoonasosia	ppm	70	140
	Maksimi	mg/l	300/400	



2.4 VIEMÄRILIITÄNTÄ

Altaan tyhjennys tapahtuu painovoiman avulla, jonka vuoksi viemärointi tulee sijoittaa laitteen alustaa alemmalle tasolle.

Tyhjennysputki pitää liittää joustavan letkun avulla viemärikaivoon tai lattiaan sijoitettuun lapolla varustettuun lattiakaivoon.

Laitteen tyhjennysputkiston mitat on osoitettu liitteenä toimitetussa asennuskaaviossa.

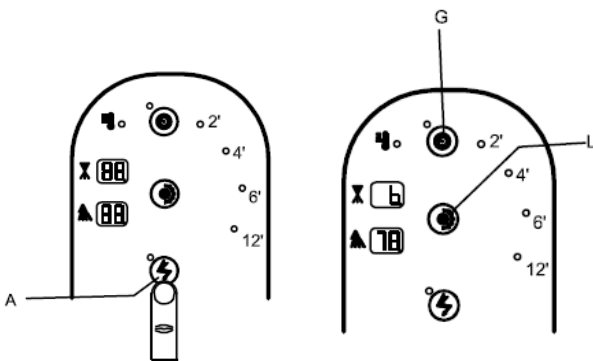
LUKU.3 ASETUKSET JA SÄÄDÖT

3.1 KÄYTTÖLÄMPÖTILOJEN SÄÄTÖ

Boilerin veden (huuhteluvesi) lämmityslämpötilaa ja/tai pesutilan lämpötilaa voidaan säätää.

Boilerin huuhtelulämpötilan asetus:

Käynnistä kone ja paina virtakytkintä A muutaman sekunnin ajan, kunnes näytölle ilmaantuu kirjoitus b ja 78°C. Kasvata tai vähennä asetusta näppäimellä G ja L.



Pesutilan lämpötilan asetus:

Paina useita kertoja virtakytkintä A, kunnes näytölle ilmaantuu kirjoitus t ja 55. Säädä näppäimellä G ja L.



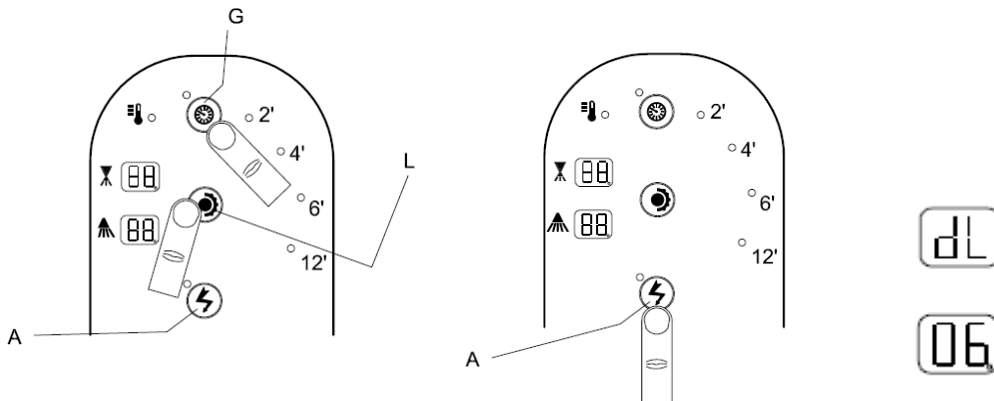
Kun olet asettanut lämpötilat, pidä virtakytkintä A painettuna palataksesi edelliseen kohtaan.

3.2 PESUAINEEN JA HUUHTELUKIRKASTEEN MÄÄRÄN SÄÄTÖ

Voit asettaa pesuaineen ja huuhtelukirkasteen määrän säätämällä annostelijoiden käynnistysaikaa.

Pesuaine

Avaa ohjelmointivalikko seuraavasti: Avaa yksi luukuista ja paina näppäintä G ja L yhtä aikaa muutaman sekunnin ajan, kunnes näytölle ilmaantuu kirjoitus tH. Paina tämän jälkeen virtakytkintä A, kunnes ensimmäiselle näytölle ilmaantuu kirjoitus dL (pesuaine).



Toisella näytöllä näytetään asetettu arvo sekunteina. Voit kasvattaa tai vähentää käynnistysaikaa näppäimellä L ja G.

Huom: piste tarkoittaa ½ sekuntia.

Huuhtelukirkaste

Kun olet säätänyt pesuainemäärän, paina virtakytkintä A uudelleen siirtyäksesi seuraavaan kohtaan. Näytölle ilmaantuu kirjoitus bL (huuhtelukirkaste). Kasvata tai vähennä käynnistysaikaa näppäimellä L ja G.



3.3 KÄYTTÄJÄN VIESTIT

Näytön viesti	Kuvaus
do	Yksi koneen luukuista on avattu.
b	Huuhtelulämpötila
t	Pesulämpötila

3.4 VIRHEVIESTIT

Kone tunnistaa eri toimintahäiriöt.

Seuraavassa selostetaan lyhyesti, mitä tehdä, jos näytöllä näkyy ERR

Näytetty viesti	Hälytys	Toimintavian kuvaus
Er 02	Vesi ei tyhjenny	Tarkista tyhjennysletkut ja varmista, etteivät ne ole tukossa. Tarkista "ylivuodolla" varustetuissa koneissa, että se on irrotettu. Jos ongelma ei poistu, tyhjennyspumppu on luultavasti vioittunut. Ota yhteys huoltoon.
"Er. 03"	Lämpökytkimen aikakatkaisu	Boilerin lämpötila ei ole saavuttanut asetettua lämpötilaa pesuvaiheen aikana. Boilerin lämmitys kytketään pois päältä. Ota yhteys valtuutettuun huoltoon.
"Er. 04"	Altaan täytön aikakatkaisu	Pesualtaassa ei ole tarpeeksi vettä. Sammuta kone ja käynnistä se uudelleen ja tarkista, että "liikatäytön osoittimet" on asetettu oikein ja että veden syöttö koneeseen on avattu. Jos ongelma ei ratkea, ota yhteys valtuutettuun huoltoon.
"Er. 05 Er 06"	Altaan tunnistusanturin vika	Altaan tunnistusanturi on rikkoutunut. Altaan lämmitys on estetty. Ota yhteys valtuutettuun huoltoon.
"Er. 07 Er .08"	Boilerin tunnistusanturin vika	Boilerin tunnistusanturi on rikkoutunut. Boilerin lämmitys on estetty. Ota yhteys valtuutettuun huoltoon.
"er ht	Altaan yllämpötila	B4 > TempVascaMax. Altaan lämmitys on estetty.
"Er Hb"	Boilerin yllämpötila	B2 > TempBoilerMax. Boilerin lämmitys on estetty.
"Er sf"	Sähkömekaaninen turvalaite	Jokin turvatermostaatti on aktivoitunut. Sammuta kone ja käynnistä se uudelleen. Jos ongelma ei poistu, ota yhteys valtuutettuun huoltoon.
"Er 09"	Boilerin täytön aikakatkaisu	Ongelma boilerin veden täyttämässä. Tarkista, että veden syöttö on avattu oikein ja että vesijohtoverkon kapasiteetti riittää koneen tietokyltissä ilmoitetulle määrälle. Sammuta kone ja käynnistä se uudelleen. Jos ongelma ei poistu, ota yhteys valtuutettuun huoltoon.
"Er 01"	Ei huuhtelua	Astioita ei ole huuhdeltu oikein. Tarkista, etteivät huuhteluvarsiensuihkuttimet ole tukossa. Jos ongelma ei poistu, ota yhteys huoltoon.
"Er SL"	Tason turvalaite	Ongelma veden tyhjennyksessä. Tyhjennyspumppu ei ole tyhjentänyt vettä oikein. Tarkista tyhjennysletkut, ja ota yhteys huoltoon, jos ongelma ei poistu.

“Er rb”	Virheen 09 nollausyritys	Kone näyttää tämän viestin, kun se on yrittänyt ratkaista boilerin täyttämistä koskevan ongelman.
“Er 22”	Altaan lämpökytkimen aikakatkaistu	Ongelma boilerin veden lämmityksessä. Ota yhteys huoltoon.
“no ns”	Suola puuttuu (varoitusta)	(Veden pehmentimellä varustetut koneet.) Lisää suolaa pesualtaassa olevaan suolasäiliöön.
“no dn”	Pesuaine puuttuu (varoitusta)	
“no bn”	Kirkastusaine puuttuu (varoitusta)	
“no na”	Veden pehmentimen huolto (varoitusta)	(Ulkoisen veden pehmentimellä varustetut koneet.) Uudista ioninvaihtimet.
“no 13”	Välisäiliö on tyhjä (varoitusta)	Jos tämä viesti annetaan usein, tarkista, että vesijohtoverkon kapasiteetti vastaa koneen käyttövaatimuksia.

Huomio: koneen sammutus ja uudelleenkäynnistys nollaa merkinannon, joka kuitenkin palaa, ellei ongelmaa korjata.

LUKU.4 TURVASUOSITUKSET



4.1 MUITA RISKEJÄ JA VAROITUKSIA

- Älä koskaan avaa laitteen luukkua nopeasti ellei kierros ole loppu.
- Paljaita käsiä ei saa koskaan upottaa pesun livokseen.
- Älä milloinkaan poista laitteen suojalevyjä ennen kuin olet kytkenyt laitteen irti sähköverkosta.
- Ammattimiehellä, joka suorittaa asennuksen ja sähköyhteyden, on velvollisuus opettaa käyttäjää käyttämään konetta ja tutustumaan käytettäviin turvaohjeisiin.
- Asentajan täytyy myös esittää käyttäjälle käytännössä kuinka konetta käytetään ja luovuttaa kirjalliset ohjeet, jotka annetaan koneen mukana.
- Laitetta saa käyttää vain sen oikeaan käyttötarkoitukseen. Kaikki muu käyttö katsotaan virheelliseksi ja mahdollisesti vaaralliseksi.
- Kouluttamaton henkilökunta ei saa käyttää laitetta.
- Älä käytä KOSKAAN konetta ilman suoyausta (mikrokosketukset, panelit tai muut) jonka rakentaja on edeltäpäin määrännyt jos läsnä ei ole ammattimiestä jotka ottaa tilanteen hallintaan.
- Älä käytä KOSKAAN koneetta sellaisten sineitteen pesuun, joitten muoto, laji, koko tai aine ei ole sopiva rakentajan määräyksen mukaisesti.
- Mahdollinen tuotteen korjaus suoritetaan vain valmistuspaikassa tai valtuutetussa huoltokeskuksessa käyttäen yksinomaan alkuperäisiä
- Mikäli yllämainittuja ohjeita ei noudateta, saattaa astianpesukoneen käyttöturvallisuus vaarantua.
- Astianpesukoneen virta on katkaistava kun laite ei ole käytössä.
- Pesuaineen tulee olla matalavaahtoista ja teolliseen pesuun tarkoitettua.

4.2 Tavanmukainen asepalvelus olosuhteet

Ympäröivä Kuume : 40°Cmax 4°Cmin (määrätä keskiarvo 30°C)

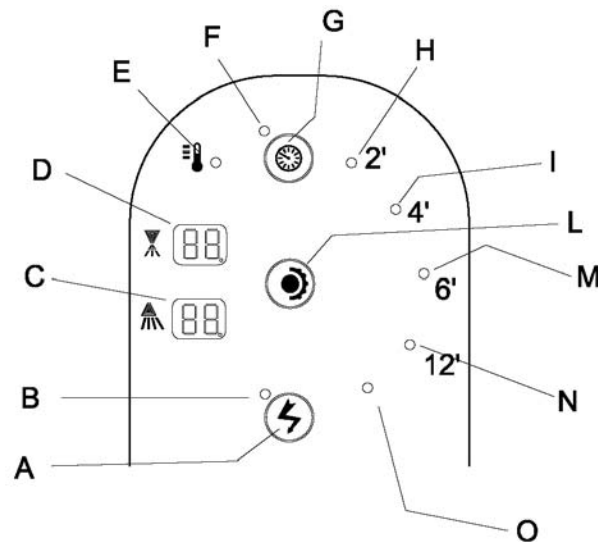
Korkeus : ennen kuin 2000 metri-

Omainen kosteus : max 30% aikaa max 90% aikaa 20°C

Kiihko ja Muisti : kesken 10°C ja 55°C avulla järjestys ennen kuin 70°C (max 24 h)

LUKU.5 KONEEN KÄYTTÖ

5.1 OHJAUSLAITTEIDEN KUVAUS

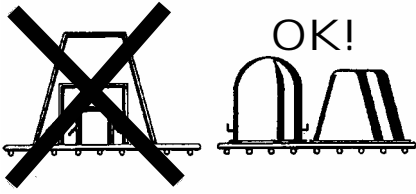


Näppäin / merkinanto	Toiminta
A	Koneen virtakytkin
B	Virran merkkivalo
C	Pesulämpötilan näyttö
D	Huuhtelulämpötilan näyttö
E	Kone valmis -merkkivalo
F	Ohjelma käynnissä -merkkivalo
G	Käynnistysnäppäin
H	2 min ohjelman merkkivalo
I	4 min ohjelman merkkivalo
L	Pesuohjelman valintanäppäin
M	6 min ohjelman merkkivalo
N	12 min ohjelman merkkivalo
O	Pesuainetta ei ole merkkivalo

5.2 KÄYTTÖ

- 1) Tarkista, että olet asettanut ylivuotosuojan ja sihdit pesutilaan. Tarkista pesuaineen ja huuhtelukirkasteen määrä. Tarkista, että olet avannut vesihanauksen.
 - 2) Paina virtakytkintä A. Merkkivalo B syttyy, kone suorittaa vedentäytön ja lämmittää veden.
 - 3) Kun koneen vedentäyttö on suoritettu ja se on käyttövalmis, merkkivalo A on vihreä.
 - 4) Valitse pesuohjelma näppäimellä L.
 - 5) Aseta pestäviä astioita täynnä oleva kori sisään.
 - 6) Sulje luukku ja käynnistä pesu näppäimellä G.
- HUOMIO: voit keskeyttää pesun milloin tahansa näppäimellä G tai sammuttaa koneen virtakytkimellä A.**
- 7) Käynnistysnäppäimen vieressä oleva merkkivalo F syttyy ja valitun pesuohjelman merkkivalo vilkkuu.
 - 8) Kun pesu on päättynyt, merkkivalo F sammuu ja valitun ohjelman merkkivalo syttyy kiinteästi.
 - 9) Sammuta kone käytön jälkeen virtakytkimellä A ja noudata luvussa annettuja ohjeita.
-

5.3 LAITTEEN KÄYTTÖ



- Älkää upottako paljaita käsiä pesuveteen , asettakaa kupit ja lasit alassuin koreihin. Asettakaa lautaset niille tarkoitettuun tukikannattimilla varustettuun koriinn sisäpinta ylöspäin.

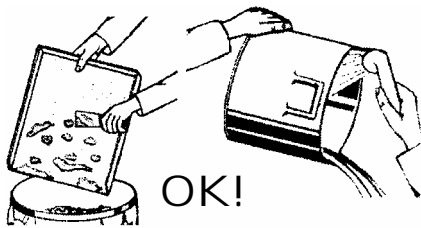
- Asettakaa aterimet ja kahvilusikat kahva alaspäin.

- Älkää panko hopeisia ja teräksisiä aterimia samaan aterinkoriin. Siitä saattaa aiheutua hopean tummuminen ja mahdollisesti ruostumattoman teräksen syöpyminen. Milloin vain mahdollista, peskää lasit ja lasilautaset ensimmäisinä.

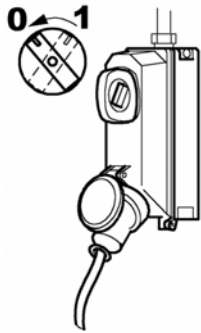
- Käyttäkää erityisiä koreja, jotka on vartavasten suunniteltu erityyppisille astioille (lautaset, lasit, kupit, aterimet jne.) Säästääkseen pesuainetta ja sähköä , peskää vain täysiä korillisia kuitenkin täyttämättä niitä liian täyteen. Välttäkää panemasta astoita päällekkäin.

Vähentääksenne mahdollisimman paljon laitteelle suoritettavia huoltotoimia, **SUOSITTELEMME ESIPESUN SUORITTAMISTA** lautasille. Sähköpumpun suodatinta mahdollisesti osittain tukkivien ja siten laitteen tehoa heikentävien ruuan tähteiden, sitruunan kuorien, hammastikkujen, oliivin kivien jne. poistaminen parantaa oleellisesti lopputuloksen laatua.

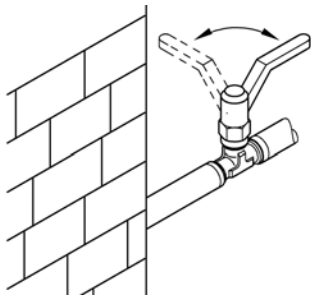
On suositeltavaa pestä astiat ennen kuin ruuan tähteet ennättävät kuivua niiden pinnalle. Mikäli astioissa on kovettuneita ruokatahroja, on syytä suorittaa astioiden liotus ennen astioiden ja aterimien panemista koneeseen.



5.4 ASTIOIDEN ASETUS

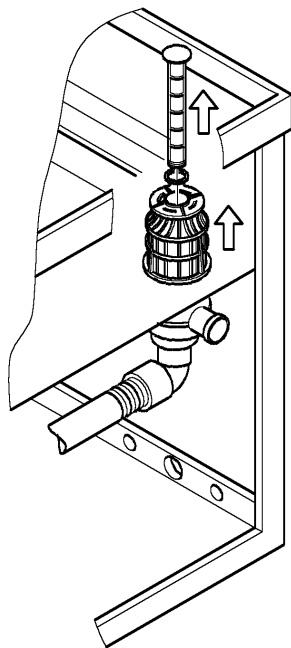


- Poistaa painetta koneesta virrankatkaisutoiminnalla
- Avaa luukku ja nosta ulos kori jossa puhtaat astiat ovat.



- Poistaa altaan vesi nostaen ylisyoösykelluke. Poistopumpun mallissa noudatetaan selitettyä toimitusta " Käyttö ohjeen " pykälässä.

- Irroittaa päävirrankatkaisin koneesta.
- Sulkea sulkuventtiili hydraulisen yhteyden takia.



- Poistaa suodattimet, puhdistaa ne juoksevassa vedessä nailon harjalla.

- Ottaa huomioon ettei saa tippua poistopumppuun likaista jätettä puhdistettaessa altaan sisällä pohjalla devan poistopumpun suodatinta. Puhdistaa allas hillityllä veden heitolla. Pestä ulkopinnat kune ovat kylmiä, ei hiomistuoteilla vaan erikoisesti valmistetuilla tuoteilla teräksen kunnossa pitämiseen.

HUOMAUTUS: Ei saa pestä konetta suora heitoilla tai korkealla paineella koska mahdolliset tunkeutumiset sähkö osille voivat vahingoittaa koneen toimintaa ja jokaista turvasysteemiä, seuraksena on takuun menetys

LUKU.6 KUNNOSAPITO

6.1 YLEISTÄ

Astianpesukoneet joissa on astiarata on suunniteltu siten että huolto olisi mahdollisimman yksinkertaista.

Seuraavia ohjeita seuraamalla voi pidentää pesukoneen käyttöikää ja häiriövapaata toimintaa.

astianpesukone on syytä pitää puhtaana ja osat järjestyksessä

on vältettävä tilapäisiä, hätäisiä korjaustoimenpiteitä

Kausittaiset huollot on syytä suorittaa tunnollisestilaitteen osat on tarkastettava säännöllisesti jotta mahdolliset häiriöihin johtavat ongelmat voidaan paikallistaa ja ryhtyä toimenpiteisiin.

Ennen puhdistustoimintaa irroitetaan sähkövirta koneesta.

6.2 MÄÄRÄAIKAINEN HUOLTO (suoritettava vähintään joka 20. päivä)

helpotaakseen seuraavia toimituksia voi ottaa pois korikantajan kehyksen omasta paikastaan.

- Purkaa ylä- ja alahuhtelun vipu ruuvaten auki kiinnitys.
- Kiertää auki ja puhdistaa kaikki suihkusuuttimet ja asentaa ne jälleen paikalleen.
- Purkaa ylä- ja alapesun vipu ruuvaten auki huuhtelun tappi. Puhdistaa ja huhdella ne.
- Irrottaa pesupumpun suodatin. Pestä ja huhdella suodatin.
- Tämän jälkeen puhdistaa erittäin huolellisesti pesuallas.
- Jättää laitteen kansi auki koko ajaksi jolloin laite on käyttämättömänä.
- Veden sisältämien kalkkisuolojen ja magnesiumin johdosta, laitteen oltua toiminnassa jonkin aikaa, käytetyn veden kovuudesta riippuen lämmittimen altaan ja putkiston sisäosiin muodostuu kalkkikarstaa, joka saattaa haitata laitteen asianmukaista toimintaa.
- Tästä syystä on tarpeen ajoittain suorittaa kalkkikarstan poisto, joka suositellaan annettavaksi teknisesti ammattitaitoisen henkilökunnan suoritettavaksi.
- Mikäli laite on poissa käytöstä pitkiä aikoja voidelkaa teräsosat vaseliiniöljyllä.

Mikäli on olemassa jäätymisen vaara, antakaa teknisesti ammattitoisen henkilökunnan tyhjentää vesi lämmittimestä ja pesupumpusta.



- **Laitteen toimintahäiriön tai vikojen sattuessa, kääntykää yksinomaan laitevalmistajan tai sen myyjäliikkeen valtuuttaman laitekorjaamon.**

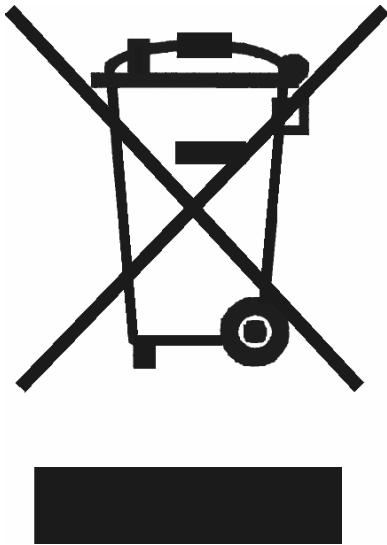
LUKU.7 HÄVITTÄMINEN

7.1 ASTIANPESUKONEEN HÄVITTÄMINEN

Astianpesukone ei vaadi erityistoimenpiteitä hävittämisen yhteydessä.

7.2 TÄMÄN TUOTTEEN TURVALLINENE HÄVITTÄMINEN

(elektroniikka ja sänkölaitteet)



Oheinen merkintä tuotteessa tai tuotteen ohismateriaalissa merkitsee, että tätä tuotetta ei tule hävittää kotitalausjätteen mukana sen elinkaaren päätyttyä. Hallitsemattomasta jäteenkäsittelystä ympäristölle ja kanssaihmissen terveydelle aiheutuvien vahinkojen välttämiseksi tuote käsitellä muista jätteistä erillään. Jäte on hyvä kierrättää raaka-aineiksi kestävän ympäristökehityksen takia.

Kotitalouskäyttäjien tulisi ottaa yhteyttä myyneeseen jälleenmyyjään tai paikalliseen ympäristöviranomaiseen, jotka antavat lisätietoja toutteen turvallisista kierrätysmahdollisuuksista.

Yrityskäyttäjien tulisi ottaa yhteyttä tavarantoimittajaan ja selvittää hankintasopimuksen ehdot. Tätä tuotetta ei tule hävittää muun kaupallisen jätteen seassa.

ΠΙΝΑΚΑΣ ΠΕΡΙΕΧΟΜΕΝΩΝ

ΚΕΦ.1	ΕΙΣΑΓΩΓΗ	3
ΚΕΦ.2	ΕΓΚΑΤΑΣΤΑΣΗ	3
2.1	ΜΕΤΑΚΙΝΗΣΗ ΚΑΙ ΑΠΟΣΥΣΚΕΥΑΣΙΑ	3
2.2	ΗΛΕΚΤΡΙΚΗ ΣΥΝΔΕΣΗ	4
2.3	ΥΔΡΑΥΛΙΚΗ ΣΥΝΔΕΣΗ	4
2.4	ΣΥΝΔΕΣΗ ΣΤΗ ΓΡΑΜΜΗ ΑΠΟΧΕΤΕΥΣΗΣ	5
ΚΕΦ.3	ΕΠΙΛΟΓΕΣ ΚΑΙ ΡΥΘΜΙΣΕΙΣ	5
3.1	ΡΥΘΜΙΣΗ ΤΗΣ ΘΕΡΜΟΚΡΑΣΙΑΣ ΛΕΙΤΟΥΡΓΙΑΣ	5
3.2	ΡΥΘΜΙΣΗ ΤΗΣ ΠΟΣΟΤΗΤΑ ΑΠΟΡΡΥΠΑΝΤΙΚΟΥ	6
3.3	ΜΗΝΥΜΑΤΑ ΓΙΑ ΤΟ ΧΡΗΣΤΗ	7
3.4	ΜΗΝΥΜΑΤΑ ΣΦΑΛΜΑΤΩΝ	7
ΚΕΦ.4	ΣΥΣΤΑΣΕΙΣ ΑΣΦΑΛΕΙΑΣ	8
4.1	ΥΠΟΛΟΙΠΟΜΕΝΟΙ ΚΙΝΔΥΝΟΙ ΚΑΙ ΠΡΟΕΙΔΟΠΟΙΗΣΕΙΣ	8
4.2	ΠΡΟΣΟΝ ΣΩΣΤΟΣ ΥΠΗΡΕΣΙΑ	9
ΚΕΦ.5	ΧΡΗΣΗ ΤΗΣ ΣΥΣΚΕΥΗΣ	9
5.1	ΠΕΡΙΓΡΑΦΗ ΧΕΙΡΙΣΤΗΡΙΩΝ	9
5.2	ΤΡΟΠΟΣ ΧΡΗΣΗΣ	10
5.3	ΤΑΚΤΟΠΟΙΗΣΗ ΤΩΝ ΣΚΕΥΩΝ	11
5.4	ΕΝΕΡΓΕΙΕΣ ΚΑΤΑ ΤΟ ΤΕΛΟΣ ΕΡΓΑΣΙΑΣ	12
ΚΕΦ.6	ΣΥΝΤΗΡΗΣΗ	13
6.1	ΓΕΝΙΚΟΙ ΚΑΝΟΝΕΣ	13
6.2	ΠΕΡΙΟΔΙΚΗ ΣΥΝΤΗΡΗΣΗ(πρέπει να γίνεται το λιγότερο κάθε 20 ημέρες)	13
ΚΕΦ.7	ΚΕΦ. 6 ΔΙΑΛΥΣΗ	14
7.1	ΔΙΑΛΥΣΗ ΤΗΣ ΣΥΣΚΕΥΗΣ	14
7.2	Ωστή Διάθεση αυτού του Προϊόντος	14

ΚΕΦ.1 ΕΙΣΑΓΩΓΗ

Οι υποδείξεις που περιέχονται στο παρόν εγχειρίδιο προσφέρουν σημαντικές ενδείξεις που αφορούν την ασφάλεια στις διάφορες φάσεις εγκατάστασης, χρήσης και συντήρησης.

Ο χειριστής πρέπει υποχρεωτικά να λάβει γνώση από το παρόν εγχειρίδιο πριν εκτελέσει οποιαδήποτε ενέργεια σχετική με την μετακίνηση, την εγκατάσταση, τη χρήση, τη συντήρηση και τη θέση εκτός λειτουργίας της συγκεκριμένης συσκευής. Κατά συνέπεια το παρόν πρέπει να φυλάσσεται ακέραιο σε ασφαλές μέρος με τη δυνατότητα να υπάρχουν αντίγραφα για τη συχνή συμβούλευσή του.

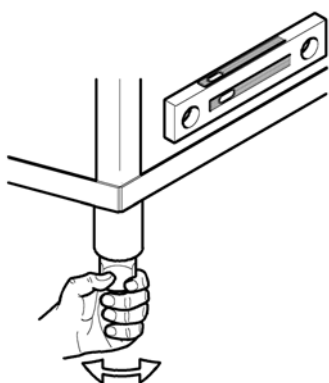
ΚΕΦ.2 ΕΓΚΑΤΑΣΤΑΣΗ

2.1 ΜΕΤΑΚΙΝΗΣΗ ΚΑΙ ΑΠΟΣΥΣΚΕΥΑΣΙΑ

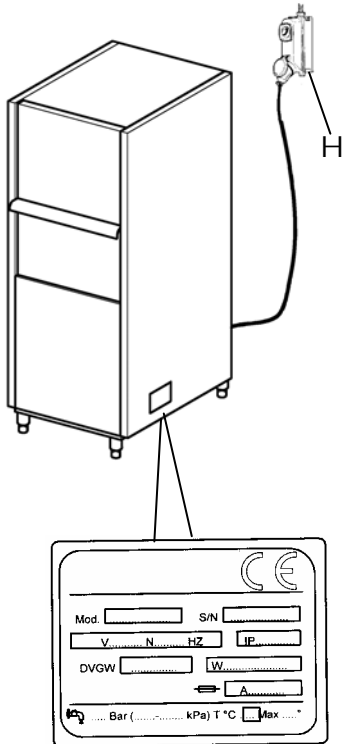


- Η μετακίνηση πρέπει να πραγματοποιηθεί με απόλυτη φροντίδα χρησιμοποιώντας ανυψωτήρα.
- Εξακριβώστε την ακεραιότητα της συσκευής και σε περίπτωση που υπάρχουν εμφανείς ζημιές πληροφορείστε αμέσως τον πωλητή και τον μεταφορέα που εκτέλεσε την μεταφορά.
- Μεταφέρετε τη συσκευή στον προβλεπόμενο για την εγκατάσταση χώρο απελευθερώνοντάς την από τη συσκευασία της.

Φυλάσσετε τα υλικά συσκευασίας (πλαστικές σακούλες, πολυουθεράνη, καρφιά κλπ.) μακριά από τα παιδιά γιατί θεωρούνται επικίνδυνα γι' αυτά.



- Η εγκατάσταση πρέπει να πραγματοποιηθεί σύμφωνα με τις οδηγίες του κατασκευαστή και από ειδικά εκπαιδευμένο προσωπικό.
- Η συσκευή αυτή είναι κατάλληλη μόνο για μόνιμη εγκατάσταση.
- Φροντίστε ιδιαίτερα την τέλεια ισοστάθμιση της συσκευής ρυθμίζοντας τα πόδια.
- Η φύση του δαπέδου πρέπει να είναι κατάλληλη για το συνολικό βάρος της συσκευής.
- Ακολουθώντας τις υποδείξεις που αναγράφονται στο σχήμα εγκατάστασης της συσκευής προδιαθέστε, στο χώρο εγκατάστασής της, τα δίκτυα ηλεκτρικής τροφοδοσίας, παροχής νερού και αποχέτευσης.



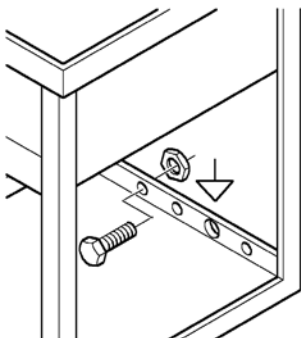
2.2 ΗΛΕΚΤΡΙΚΗ ΣΥΝΔΕΣΗ

1. Η σύνδεση στο ηλεκτρικό δίκτυο πρέπει να πραγματοποιηθεί χρησιμοποιώντας έναν γενικό διακόπτη (H) Πρέπει να είναι με επαφές παντός τύπου, ούτως ώστε να διακόπτει όλες τις επαφές, συμπεριλαμβάνοντας και την ουδέτερη, να έχει ελάχιστη απόσταση μεταξύ των επαφών 3mm., με θερμομαγνητικό μηχανισμό ασφαλείας ή να είναι συνδεδεμένος με εύτηκτα ικανά να αντέξουν το μέγιστο ρεύμα που αναγράφεται στην πινακίδα.
2. Πρέπει να βεβαιωθείτε ότι η τάση και η συχνότητα αντιστοιχούν με εκείνες που αναγράφονται στην πινακίδα με τις τεχνικές προδιαγραφές που βρίσκεται τοποθετημένη στη δεξιά πλευρά της συσκευής.
3. Ένα ικανό δίκτυο γείωσης, που ανταποκρίνεται στους ισχύοντες κανονισμούς πρόληψης, αποτελεί εγγύηση για την ασφάλεια του χειριστή και της συσκευής.
4. Απαγορεύεται αυστηρά η χρήση φίς προσαρμογής, πολλαπλής πρίζας και μπαλαντέζας.
5. Η συσκευή πρέπει να είναι συνδεδεμένη και με ένα σύστημα με ίδια ισχύ, του οποίου η σύνδεση γίνεται με βίδες ενδεδειγμένο με το σύμβολο . Ο αγωγός της ίδιας ισχύος πρέπει να έχει μια τομή 10 χιλιοστών.



Το χορηγούμενο καλώδιο τροφοδοσίας πρέπει να αντικαθιστάται μόνο με ένα άλλο καλώδιο που να έχει την ίδια τομή H07RN-F.

Για περισσότερες πληροφορίες σας συνιστούμε να συμβουλευθείτε το συνημμένο ηλεκτρικό σχεδιάγραμμα.



2.3 ΥΔΡΑΥΛΙΚΗ ΣΥΝΔΕΣΗ

Προδιαθέστε τον χώρο εγκατάστασης σύμφωνα με το συνημμένο υδραυλικό σχεδιάγραμμα.

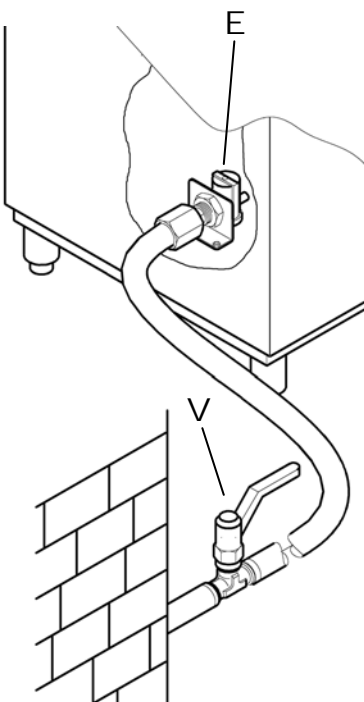
Προτού συνδέσετε τη συσκευή βεβαιωθείτε ότι μεταξύ του δικτύου τροφοδοσίας νερού και της συσκευής έχει τοποθετηθεί μια συρταρωτή βαλβίδα ασφαλείας που επιτρέπει τη διακοπή τροφοδότησης σε περίπτωση ανάγκης ή σε περίπτωση επισκευής.

Χρησιμοποιώντας έναν εύκαμπτο σωλήνα (σπιράλ) συνδέστε την ηλεκτροβαλβίδα παροχής (E) στη βαλβίδα ασφαλείας (V), κατόπιν βεβαιωθείτε ότι η παροχή τροφοδοσίας δεν είναι λιγότερη από τα 20 λ/μιν.

Πρέπει να βεβαιωθείτε ότι η θερμοκρασία και η πίεση του νερού τροφοδοσίας αντιστοιχούν με εκείνες που αναγράφονται στην πινακίδα με τις τεχνικές προδιαγραφές.

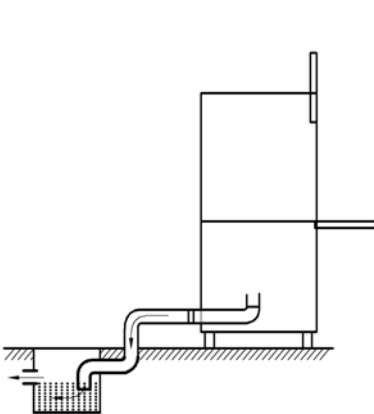
Σε περίπτωση που η σκληρότητα του νερού προκύπτει να είναι μεγαλύτερη από εκείνη που αναγράφεται στην πινακίδα, σας συνιστούμε να τοποθετήσετε έναν αποσκληρυντή πριν από την ηλεκτροβαλβίδα τροφοδότησης της συσκευής.

Σε περίπτωση που υπάρχουν υψηλές συμπυκνώσεις μεταλλικών ιζημάτων στο νερό, σας συνιστούμε να τοποθετήσετε μια εγκατάσταση αφαίρεσης των μεταλλικών ιζημάτων κατά τρόπο



ώστε να επιτυγχάνεται η σκληρότητα που αναφέρεται στον κάτωθι πίνακα.

	Ιδιότητες		Από	Μέχρι
Σκληρότητα	Γαλλικοί βαθμοί	f	5	10
	Γερμανικοί βαθμοί	°dH	4	7'5
	Αγγλικοί βαθμοί	°e	5	9,5
	Μέρη στο εκατομμ	ppm	70	140
Μεταλλικά Ιζήματα	Μέγιστο	mg/l	300/400	



2.4 ΣΥΝΔΕΣΗ ΣΤΗ ΓΡΑΜΜΗ ΑΠΟΧΕΤΕΥΣΗΣ

- Το άδειασμα του κάδου συμβαίνει λόγω βαρύτητας, οπότε η αποχέτευση πρέπει να βρίσκεται σε χαμηλότερο επίπεδο σχετικά με τη βάση της συσκευής.
- Το στόμιο εκκένωσης, χρησιμοποιώντας έναν εύκαμπτο σωλήνα, πρέπει να συνδεθεί με ένα φρεάτιο ή με σιφώνι στο δάπεδο.

Οι διαστάσεις της αποχέτευσης της συσκευής περιγράφονται στο σχεδιάγραμμα εγκατάστασης.

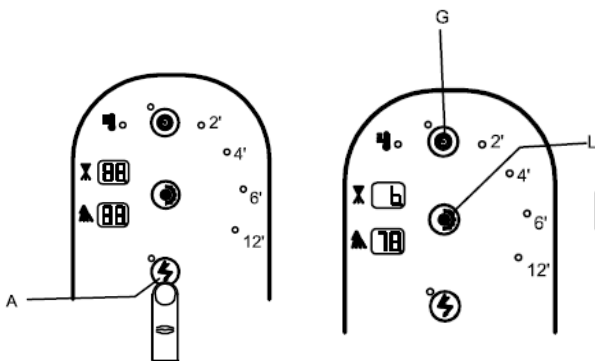
Κεφ.3 ΕΠΙΛΟΓΕΣ ΚΑΙ ΡΥΘΜΙΣΕΙΣ

3.1 ΡΥΘΜΙΣΗ ΤΗΣ ΘΕΡΜΟΚΡΑΣΙΑΣ ΛΕΙΤΟΥΡΓΙΑΣ

Μπορείτε να ρυθμίσετε τις θερμοκρασίες θέρμανσης νερού του boiler (νερό ζεπλύματος) και/ή τη θερμοκρασία της δεξαμενής πλήσης.

Επιλογή θερμοκρασία ζεπλύματος boiler:

ανάψτε τη συσκευή και κρατήστε πατημένο το πλήκτρο γραμμής on /off (Ανοιχτό/Κλειστό) "A" για μερικά δευτερόλεπτα έως ότου εμφανιστεί η ένδειξη "b " 78 °C". Αυξήστε ή μειώστε τη ρύθμιση με τα πλήκτρα G και L.



Ρύθμιση θερμοκρασίας δεξαμενής πλύσης :

Πατήστε στη συνέχεια το πλήκτρο A για να εμφανιστεί η ένδειξη “ t ” “55”, ρυθμίστε με τα πλήκτρα G και L.



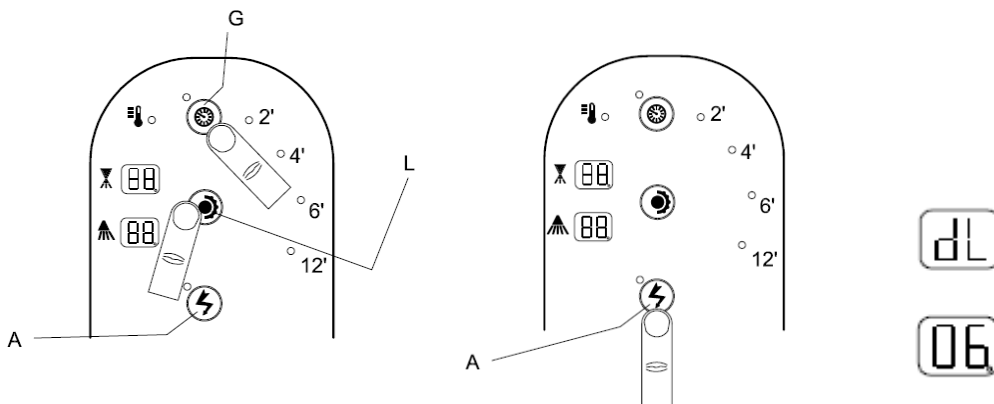
Αφού ρυθμίσετε τις θερμοκρασίες αρκεί να κρατήσετε πατημένο το πλήκτρο A για επιστροφή στην προηγούμενη κατάσταση.

3.2 ΡΥΘΜΙΣΗ ΤΗΣ ΠΟΣΟΤΗΤΑ ΑΠΟΡΡΥΠΑΝΤΙΚΟΥ

Μπορείτε να ρυθμίσετε τις ποσότητες απορρυπαντικού ρυθμίζοντας το χρόνο ενεργοποίησης των δοσομετρητών απορρυπαντικού.

Απορρυπαντικό

Ανοίξτε το μενού προγραμματισμού με τον ακόλουθο τρόπο: ανοίξτε μία από τις πόρτες, κρατήστε ταυτόχρονα πατημένα για μερικά δευτερόλεπτα τα πλήκτρα G και L έως ότου εμφανιστεί η ένδειξη “tH”, στη συνέχεια πατήστε το πλήκτρο A έως ότου εμφανιστεί η ένδειξη “dL” στο πρώτο καντράν.



Στο δεύτερο καντράν εμφανίζεται η επιλεγμένη τιμή σε δευτερόλεπτα. Μπορείτε να αυξήσετε ή να μειώσετε το χρόνο ενεργοποίησης με τα πλήκτρα L και G .

Σημείωση: η τελεία υποδεικνύει ½ δευτερόλεπτο.

Λαμπруντικό

Αφού ρυθμίσετε το απορρυπαντικό, πατήστε ξανά το πλήκτρο “A” για να περάσετε στο επόμενο στοιχείο και να εμφανιστεί η ένδειξη “bL” που σημαίνει λαμπруντικό. Αυξήστε ή μειώστε το χρόνο ενεργοποίησης με τα πλήκτρα “L” και “G”.



3.3 ΜΗΝΥΜΑΤΑ ΓΙΑ ΤΟ ΧΡΗΣΤΗ

Μήνυμα στην οθόνη	Περιγραφή λειτουργίας
do	Μία από τις πόρτες της συσκευής είναι ανοιχτή
b	Θερμοκρασίες νερού ξεπλύματος
t	Θερμοκρασία νερού πλύσης

3.4 ΜΗΝΥΜΑΤΑ ΣΦΑΛΜΑΤΩΝ

Η συσκευή μπορεί να αναγνωρίσει πολλές καταστάσεις δυσλειτουργίας.

Παρακάτω αναφέρουμε μία μικρή περιγραφή σχετικά με το τι πρέπει να κάνετε όταν στην οθόνη εμφανίζεται η ένδειξη ERR

Ένδειξη οθόνης	Συναγερμός	Περιγραφή ανωμαλίας.
Er 02	Έλλειψη εκκένωσης	Ελέγξτε τις σωληνώσεις εκκένωσης και βεβαιωθείτε ότι δεν είναι φραγμένες. Για τα μηχανήματα που εξοπλίζονται με σύστημα “υπερχείλισης” βεβαιωθείτε ότι έχει αφαιρεθεί. Αν το πρόβλημα παραμένει, πιθανότατα πρόκειται για σπάσιμο της ηλεκτρικής αντλίας εκκένωσης, επικοινωνήστε με ένα κέντρο τεχνικής υποστήριξης.
“Er. 03”	Timeout thermostop (διακοπή thermostop)	Η θερμοκρασία του boiler δεν έφτασε στο επιλεγμένο σημείο μέσα στα όρια επέκτασης της φάσης πλύσης του κύκλου λειτουργίας. Απενεργοποιείται η θέρμανση του boiler Επικοινωνήστε με το εξουσιοδοτημένο σέρβις
“Er. 04”	Διακοπή φόρτωσης δεξαμενής	Δεν επιτεύχθηκε η στάθμη νερού στη δεξαμενή πλύσης. Σβήστε και ανάψτε τη συσκευή και βεβαιωθείτε ότι έχετε ρυθμίσει σωστά τις υπερχειλίσεις και ότι έχετε ανοίξει την παροχή νερού, σε αντίθετη περίπτωση επικοινωνήστε με το εξουσιοδοτημένο σέρβις
“Er. 05 Er 06”	Αισθητήρας ανοιχτής δεξαμενής	Αισθητήρας δεξαμενής χαλασμένος. Διακόπτεται η θέρμανση της δεξαμενής. Επικοινωνήστε με το εξουσιοδοτημένο σέρβις
“Er. 07 Er .08”	Αισθητήρας boiler ανοιχτός	Αισθητήρας boiler χαλασμένος. Διακόπτεται η θέρμανση του boiler. Επικοινωνήστε με το εξουσιοδοτημένο σέρβις
“er ht	Υπερβολική θερμοκρασία δεξαμενής	B4 > TempVascaMax. Διακόπτεται η θέρμανση της δεξαμενής.
“er Hb”	Υπερβολική θερμοκρασία boiler	B2 > TempBoilerMax. Διακόπτεται η θέρμανση του boiler.
“er sf”	Ηλεκτρομηχανική ασφάλεια	Πιθανώς έχει ενεργοποιηθεί κάποιος θερμοστάτης ασφαλείας. Σβήστε και ανάψτε τη συσκευή, αν το πρόβλημα παραμένει, επικοινωνήστε με το εξουσιοδοτημένο σέρβις.
“er 09”	Timeout φόρτωσης boiler	Πρόβλημα στη φόρτωση νερού στο boiler, βεβαιωθείτε ότι είναι ανοιγμένη σωστά η τροφοδοσία νερού και ότι η παροχή από το δίκτυο ύδρευσης είναι επαρκής σύμφωνα με όσα αναγράφονται στην πινακίδα με τα στοιχεία του μηχανήματος. Σβήστε και ανάψτε το μηχάνημα, αν το πρόβλημα παραμένει απευθυνθείτε στο εξουσιοδοτημένο σέρβις.

"er 01"	Δεν γίνεται ξέπλυμα	Το ξέπλυμα των πιάτων δεν έγινε σωστά, βεβαιωθείτε ότι οι ψεκαστές των βραχιόνων ξέπλυματος δεν είναι φραγμένοι. Αν το πρόβλημα παραμένει, επικοινωνήστε με το εξουσιοδοτημένο σέρβις.
"er SL"	Ασφάλεια επιπέδου	Πρόβλημα με την εκκένωση νερού. Η ηλεκτρική αντλία εκκένωσης δεν κάνει σωστά την εκκένωση. Ελέγξτε τις σωληνώσεις εκκένωσης, αν το πρόβλημα παραμένει επικοινωνήστε με το εξουσιοδοτημένο σέρβις.
"Er rb"	Προσπάθεια επαναφοράς σφάλματος 09	Το μηχάνημα εμφανίζει αυτό το μήνυμα όταν κάνει προσπάθεια επίλυσης προβλήματος φόρτωσης του boiler.
"Er 22"	Timeout θερμοστόπ δεξαμενής	Πρόβλημα με τη θέρμανση νερού του boiler. Επικοινωνήστε με ένα εξουσιοδοτημένο σέρβις.
"no ns"	Έλλειψη αλατιού (προειδοποίησης)	(μηχανήματα εφοδιασμένα με αποσκληρυντή νερού). Προσθέστε αλάτι στο ειδικό δοχείο που υπάρχει στη δεξαμενή πλύσης.
"no dn"	Έλλειψη απορρυπαντικού (προειδοποίησης)	
"no bn"	Έλλειψη λαμπρυντικού (προειδοποίησης)	
"no na"	Συντήρηση αποσκληρυντή (προειδοποίηση)	(μηχανήματα εφοδιασμένα με εξωτερικό αποσκληρυντή νερού). Κάντε αναγέννησης των ρητινών.
"no 13"	Break tank κενό (προειδοποίηση)	Αν το μήνυμα εμφανίζεται συχνά βεβαιωθείτε ότι η παροχή του δικτύου ύδρευσης είναι σωστή σύμφωνα με όσα απαιτούνται από το μηχάνημα.

Προσοχή: Το σβήσιμο και το ακόλουθο άναμμα της συσκευής "μηδενίζει" την ειδοποίηση που θα επανέλθει στη συνέχεια αν το πρόβλημα δεν έχει αποκατασταθεί.

ΚΕΦ. 4 ΣΥΣΤΑΣΕΙΣ ΑΣΦΑΛΕΙΑΣ



4.1

ΥΠΟΛΟΙΠΟΜΕΝΟΙ ΚΙΝΔΥΝΟΙ ΚΑΙ ΠΡΟΕΙΔΟΠΟΙΗΣΕΙΣ

- Μην ανοίγετε ποτέ απότομα την πόρτα της συσκευής, αν δεν έχει τελειώσει ο κύκλος πλύσιματος.
- Μην βυθίζετε ποτέ γυμνά τα χέρια σας στο νερό πλύσης.
- Μην αποσυναρμολογείτε τα πάνελς της συσκευής αν δεν διακόψετε προηγουμένως την παροχή ρεύματος.
- Το τεχνικό προσωπικό που θα πραγματοποιήσει την εγκατάσταση και την ηλεκτρική σύνδεση, πρέπει να εκπαιδεύσει τον χειριστή σχετικά με τη λειτουργία της συσκευής και τα πιθανά μέτρα ασφαλείας που πρέπει να τηρηθούν.
- Το τεχνικό προσωπικό που θα κάνει την εγκατάσταση πρέπει να δέξει στο χειριστή της συσκευής με πρακτικό τρόπο πώς χρησιμοποιείται η συσκευή και θα πρέπει να του αφίσει και γραπτές οδηγίες που θα δωθούν μαζί με την συσκευή.
- Αυτή η συσκευή είναι προορισμένη μόνο για τη χρήση για την οποία κατασκευάστηκε. Οποιαδήποτε άλλη χρήση θεωρείται ακατάλληλη και για αυτό επικίνδυνη.
- Η συσκευή δεν πρέπει να χρησιμοποιείται από ανειδίκευτο προσωπικό.
- Μην χρησιμοποιείται ΠΟΤΕ την συσκευή χωρίς προστασίες (μικροεπαφές, ταμπλώ κτλ.) προκ ατασκευασμένεφ από τον κατασκευαστή, αυτό μπορεί να γίνει μόνο με την παρουσία ενός ειδικευμένου τεχνικού που θα πάρει τις απαραίτητες προφυλάξεις.
- Μην χρησιμοποιείται ΠΟΤΕ την συσκευή για να πλύνεται αντικείμενα τύπου, μεγέθους ή υλικού που δεν ανταποκρίνονται στις οδηγίες του κατασκευαστή.
- Η τυχόν επιδιόρθωση του προϊόντος πρέπει να γίνει μόνο από την εταιρεία κατασκευής ή από ένα εξουσιοδοτημένο κέντρο χρησιμοποιώντας αποκλειστικά γνήσια ανταλλακτικά.
- Η ελλειπής εφαρμογή των υπεράνω θίτει σε κίνδυνο την ασφάλεια της συσκευής.
- Η συσκευή δεν πρέπει να μένει με τάση όταν δεν χρησιμοποιείται.
- Το απορρυπαντικό πρέπει να είναι βιομηχανικού τύπου για δημιουργία λίγης σαπουνάδας.

4.2 ΠΡΟΣΨΟΝ ΣΩΣΤΟΣ ΥΠΗΡΕΣΙΑ

Ambient θερμοκρασία : 40°Cmax 4°Cmin (μέσος όρος 30°C)

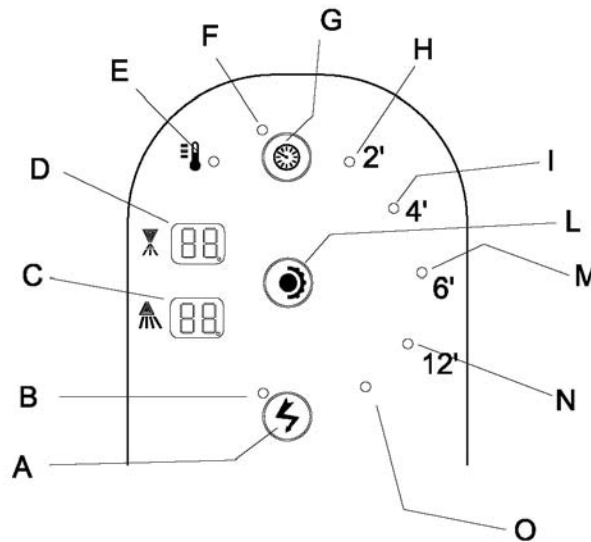
υψόμετρο μέχρι 2000 μετρικός

συγγενής υγρασία : max 30% σε max 90% σε 20°C

μεταφορά και αποθήκευση : ανάμεσα 10°C και 55°C με ειρήνη μέχρι 70°C (max 24h)

Κεφ.5 ΧΡΗΣΗ ΤΗΣ ΣΥΣΚΕΥΗΣ

5.1 ΠΕΡΙΓΡΑΦΗ ΧΕΙΡΙΣΤΗΡΙΩΝ



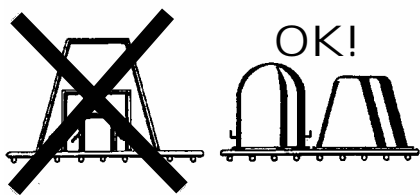
Πλήκτρο / επισήμανση	Λειτουργία
A	Πλήκτρο on /off (ανοιχτό/κλειστό) συσκευής
B	Ενδεικτική λυχνία on (ανοιχτό)
C	Οθόνη θερμοκρασίας πλύσης
D	Οθόνη θερμοκρασίας ξεπλύματος
E	Ενδεικτική λυχνία επισήμανσης ετοιμότητας συσκευής
F	Ενδεικτική λυχνία τρέχοντος κύκλου
G	Πλήκτρο έναρξης κύκλου
H	Ενδεικτική λυχνία επιλογής προγράμματος 2
I	Ενδεικτική λυχνία επιλογής προγράμματος 4
L	Πλήκτρο επιλογής προγράμματος πλύσης
M	Ενδεικτική λυχνία επιλογής προγράμματος 6
N	Ενδεικτική λυχνία επιλογής προγράμματος 12
O	Ενδεικτική έλλειψη απορρυπαντικού

5.2 ΤΡΟΠΟΣ ΧΡΗΣΗΣ

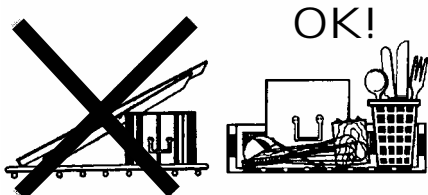
Με αναφορά στην εικόνα της σελ. 9

- 1) Βεβαιωθείτε ότι έχετε ενεργοποιήσει το σύστημα ασφαλείας από υπερχειλίση και τα φίλτρα στη δεξαμενή και στη συνέχεια ελέγξτε τη στάθμη των απορρυπαντικών και το άνοιγμα του νερού τροφοδοσίας.
 - 2) Πατήστε το πλήκτρο A, ανάβει η ενδεικτική λυχνία B, η συσκευή φορτώνει και ζεσταίνει το νερό.
 - 3) Όταν η συσκευή γεμίσει και είναι έτοιμη για χρήση, η ενδεικτική λυχνία A ανάβει με πράσινο χρώμα.
 - 4) Επιλέξτε το πρόγραμμα πλύσης με το πλήκτρο L .
 - 5) Εισάγετε ένα καλάθι γεμάτο με αντικείμενα για πλύσιμο (δείτε το κεφ. 5.3 φόρτωση καλαθιών)
 - 6) Κλείστε την πόρτα και ξεκινήστε το πλύσιμο με το πλήκτρο G
- ΠΡΟΣΟΧΗ: μπορείτε να σταματήσετε το πλύσιμο ανά πάσα στιγμή με το πλήκτρο G ή ακόμη και να σβήσετε τη συσκευή με το πλήκτρο A.**
- 7) Θα παρατηρήσετε ότι η ενδεικτική λυχνία F δίπλα από το πλήκτρο start ανάβει και ότι η ενδεικτική λυχνία του επιλεγμένου προγράμματος αναβοσβήνει.
 - 8) Όταν ολοκληρωθεί το πλύσιμο, η ενδεικτική λυχνία F σβήνει και η ενδεικτική λυχνία του επιλεγμένου προγράμματος ανάβει σταθερά.
 - 9) Στο τέλος του προγράμματος σβήστε τη συσκευή με το πλήκτρο 1 και ακολουθήστε τις οδηγίες που αναφέρονται στο κεφάλαιο “ 5.4 Ενέργειες τέλους υπηρεσίας”.
-

5.3 ΤΑΚΤΟΠΟΙΗΣΗ ΤΩΝ ΣΚΕΥΩΝ

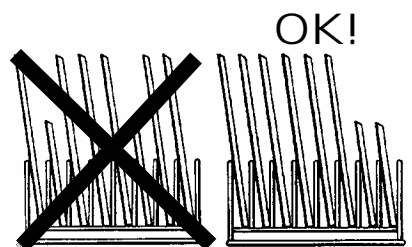


- Μην βάζετε γυμνά χέρια στην αλυσίδα της πλύσης, τοποθετήστε τα φλυτζάνια και τα ποτήρια αναποδογυρισμένα στα καλάθια. Τοποθετήστε τα πιάτα στο ειδικό καλάθι με την εσωτερική επιφάνεια γυρισμένη προς τα πάνω.



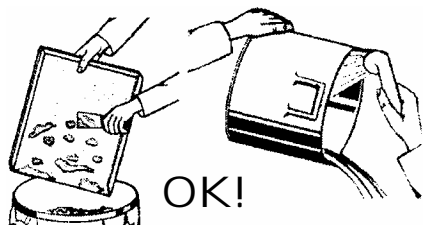
- Τοποθετήστε τα μαχαιροπήρουνα και τα κουταλάκια του καφέ προς τα κάτω.

- Μην τοποθετήτε στο ίδιο καλάθι, ασημένια και ανοξείδωτα μαχαιροπήρουνα. Σαν αποτέλεσμα θα έχετε να σκουρίνει το ασημί και μια πιθανή διάβρωση του ανοξείδωτου ατσάλιου.



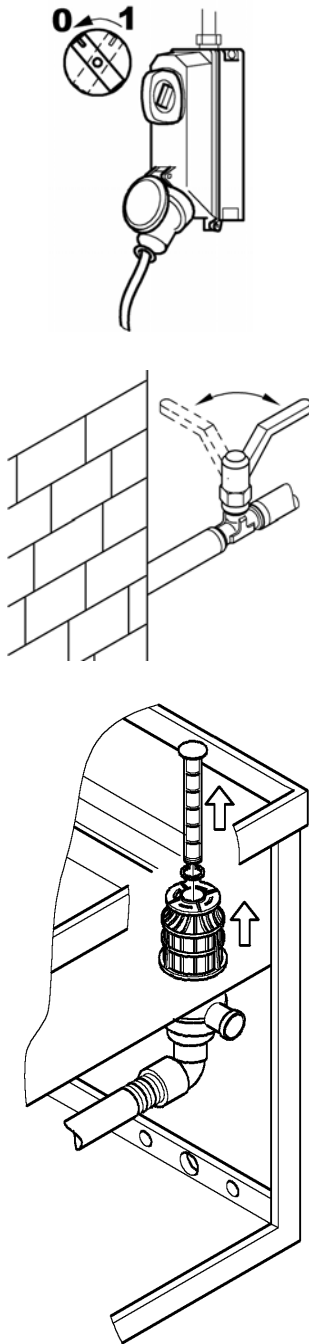
- Χρησιμοποιείται τα ειδικά καλάθια που είναι κατασκευασμένα να σκοπίμως για διαφορετικά είδη σκευών (πιάτα, ποτήρια, φλυτζάνια, μαχαιροπήρουνα κλπ.). Για την εξοικονόμηση απορρυπαντικού και ηλεκτρικής ενέργειας, πλένετε μόνο γεμάτα καλάθια, χωρίς όμως να τα φορτώνετε. Αποφεύγεται κάθε υπέρθεση σκευών.

Για να περιορίσετε, όσο το δυνατόν περισσότερο, την συντήρηση **ΣΥΝΙΣΤΟΥΜΕ ΜΙΑ ΠΡΟΣΕΚΤΙΚΗ ΚΑΘΑΡΙΟΤΗΤΑ** των σκευών. Η απομάκρυνση υπολοίπων τροφών, λεμονόφλουδων, οδοντογλυφύδων, κουκουτσιών από ελιές κλπ. που θα μπορούσαν να βουλώσουν εν μέρει το φίλτρο της ηλεκτροβαλβίδας, μειώνοντας την ικανότητα πλύσης, καλυτερεύει ουσιαστικά την ποιότητα του τελικού αποτελέσματος.



Συμβουλευόμαστε να πλύνετε τα σκεύη πριν τα υπολείματα τροφών κολλήσουν πάνω στην επιφάνεια τους. Σε περίπτωση που πάνω στα σκεύη υπάρχουν υπολείματα ξηραμένων τροφών είναι καλό να μείνουν για λίγο διάστημα μέσα στο νερό για μούλιασμα πριν τοποθετηθούν στη συσκευή.

5.4 ΕΝΕΡΓΕΙΕΣ ΚΑΤΑ ΤΟ ΤΕΛΟΣ ΕΡΓΑΣΙΑΣ



- Διακόψτε την ηλεκτρική
- Ανοίξτε την πόρτα και βγάλτε το καλάθι με τα καθαρά πιατικά.
- Αδειάστε το νερό από τη δεξαμενή συγκώνοντας τον εκχυλινστήρα. Για το μοντέλλο εφοδιασμένο με αντλία αδειάσματος ακολουθήστε τις ενέργειες αναφερόμενες στην παράγραφο "Οδηγίες για τη χρήση".
- Αποσυνδέσετε τον γενικό διακόπτη που βρίσκεται πάνω (ή πίσω) στη συσκευή.
- Κλείστε την βαλβίδα-ρολόι της συσκευής. Βγάλτε τα φίλτρα, πλύντε τα κάτω από τρεχούμενο νερό με μια βούρτσα από νύλον.
- Προσέξτε να μην ρίξετε υπολοίματα τροφών που βρίσκονται στον πάτο του φίλτρου της αντλίας αδειάσματος, στο εσωτερικό της δεξαμενής. Καθαρείστε την δεξαμενή με νερό περιορισμένης πίεσης. Πλύνετε τις εξωτερικές επιφάνειες, όταν είναι κρύες με προϊόντα που δεν είναι όξινα και είναι κατάλληλα για τη συντήρηση του ατσαλιού.

ΠΡΟΣΟΧΗ: Μην πλένετε την συσκευή με νερό υψηλής πίεσης γιατί είναι δυνατό να γίνουν εισχωρήσεις στα ηλεκτρικά στοιχεία και να παροδικάσουν την κανονική λειτουργία της συσκευής και του κάθε συστήματος ασφαλείας με συνέπεια την πτώση της εγγύησης.

Κεφ.6 SUNTHRHS

6.1 ΓΕΝΙΚΟΙ ΚΑΝΟΝΕΣ

Οι συσκευές με σύστημα έλξης είναι σχεδιασμένες για να περιορίζουν στο ελάχιστο τις ανάγκες συντήρησης. Οι κανόνες που ακολουθούν πρέπει να τηρούνται σε όλες τις περιπτώσεις για μια μακροπρόθεσμη εγγύηση της λειτουργίας της συσκευής χωρίς απρόοπτα.

Σε κάθε περίπτωση πρέπει να τηρούνται μερικοί γενικοί κανόνες για να διατηρηθεί η συσκευή σε τέλεια κατάσταση κίνησης :

- διατηρήστε την συσκευή καθαρή και σε τάξη:
- αποφεύγεται να γίνονται συστηματικές οι προσωρινές επιδιορθώσεις ή οι επιδιορθώσεις ανάγκης.

Η αυστηρή τήρηση των κανόνων περιοδικής συντήρησης είναι πολύ σημαντικές: όλα τα όργανα της συσκευής πρέπει να ελέγχονται τακτικά για την αποφυγή πιθανών ανομαλιών, προβλέποντας μ' αυτόν τον τρόπο τον απαραίτητο χρόνο και τα μέσα για τυχόν επεμβάσεις συντήρησης.

Πριν αποφασιστεί να καθαριστεί η συσκευή διακοπτε την ηλεκτρική τροφοδοσία στη συσκευή.

6.2 ΠΕΡΙΟΔΙΚΗ ΣΥΝΤΗΡΗΣΗ(πρέπει να γίνεται το λιγότερο κάθε 20 ημέρες)

Για την διευκόλυνση των ενεργειών που ακολουθούν μπορεί να βγει από την θέση του το πλαίσιο που κινεί το καλάθι.

- Αποσυνδέστε τους πάνω και κάτω βραχίονες ξεπλύματος.
- Ξεβιδώστε και καθαρίστε όλους τους ψεκαστήρες και ξανατοποθετήστε τους στο μέρος τους.
- Αποσυνδέστε τους πάνω και κάτω βραχίονες ξεβιδώνοντας τον στροφέα ξεπλύματος: καθαρίστε τους και ξεπλύνετε τους.
- Βγάλτε το φίλτρο αντλίας πλύσης (3) καθαρίστε το και ξεπλύνετε το.
- Σ' αυτό το σημείο πλύνετε με μεγάλη προσοχή την δεξαμενή πλύσης.
- Αζήστε ανοικτή την κουκούλα της συσκευής λόγω το χρονικό διάστημα στάσης.
- Εξ αιτίας της παρουσίας αλάτων στο νερό, μετά από ένα χρονικό διάστημα χρήσης, που αλλάζει ανάλογα με τη σκληρότητα του νερού, δημιουργείτε πάνω στις εσωτερικές επιφάνειες τις δεξαμενή

ς τοι μπό ιλερ και των αγωγών μια ασβεστώδεις επένδυση που μπο
ρεί να προδικάσει την καλή λειτουργία της συσκευής .

- Γι' αυτό το λόγο πρέπει να φροντίζετε να γίνεται μια περιοδική απομάκρυνση της ασβεστώδης επένδυσης , που συμβουλεύουμε να εκτελείται από έμπειρο τεχνικό προσωπικό .
- Αν η συσκευή πρέπει να μείνει αχρησιμοποίητη για μεγάλο χρονικό διάστημα, λαδώστε τις ανοξοίδωτες επιφάνειες με λάδι βαζελίνης . Καλέστε έμπειρο τεχνικό προσωπικό για να αδειάσει το νερό από το μπό ιλερ και από την αντλία πλύσης .
- Αν υπάρχει πιθανότητα δημιουργίας πάγου, καλέστε έμπειρο τεχνικό προσωπικό για να αδειάσει το νερό από το μπό ιλερ και από την αντλία πλύσης .
- Σε περίπτωση κακής λειτουργίας ή ζημιών, απευθυνθείτε αποκλειστικά σε ένα τεχνικό κέντρο εξουσιοδοτημένο από τον Αντιπρόσωπο αυτού.

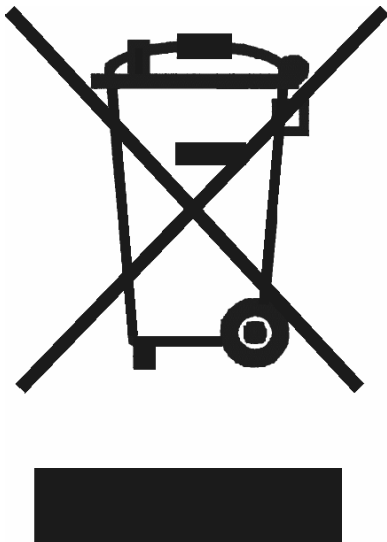


Κεφ.7 ΚΕΦ. 6 ΔΙΑΛΥΣΗ

7.1 ΔΙΑΛΥΣΗ ΤΗΣ ΣΥΣΚΕΥΗΣ

Στις δικές μας συσκευές δεν υπάρχουν υλικά που να απαιτούν ιδιαίτερες διαδικασίες χώνευσης .

7.2 Ωστή Διάθεση αυτού του Προϊόντος (Απορρίμματα Ηλεκτρικού Εξοπλισμού)



Τα σήματα που εμφανίζονται επάνω στο προϊόν ή στα εγχειρίδια που το συνοδεύουν, υποδεικνύουν ότι δεν θα πρέπει να ρίπταται να μαζί με τα υπόλοιπα οικιακά απορρίμματα μετά το τέλος του κύκλου ζωής. Προκειμένου να αποφευχθούν ενδεχόμενες βλαβερές συνέπειες στο περιβάλλον ή την υγεία εξαιτίας της ανεξέλεγκτης διάθεσης απορριμμάτων, σας παρακαλούμε να το διαχωρίσετε από άλλους τύπους απορριμμάτων και να το ανακυκλώσετε, ώστε να βοηθήσετε στην βιώσιμη επαναξοπισμοποίηση των υλικών πόρων.

Οι οικιακοί χρήστες θα πρέπει να έλθουν σε ειπκωνοία είτε με τον πωλητή απ όπου αγόρασαν αυτό το προϊόν, είτε τις κατά τόπους υπηρεσίες, προκειμένου να πληροφορηθούν τις λεπτομέρειες σχετικά με τον τόπο και τον τρόπο με τον οποίο μπορούν να δώσουν αυτό το προϊόν για ασφαλή προς το περιβάλλον ανακύκλωση.

Οι επιχειρήσεις-χρήστες θα πρέπει να σε έλθουν σε επαφή με τον προμηθευτή τους και να ελεγχουν τους όρους και τις προϋποθέσεις του συμβολαίου πώλησης. Το προϊόν αυτό δεν θα πρέπει αν αναμιγνύεται με άλλα συνηθισμένα απορρίμματα προς διάθεση.

