


**GENERAL DETAILS**

- Rack dimensions: **50x50 cm**
- Total weight : 123 Kg
- No.3 washing cycles: 60"-120"-180"
- Possibility of automatic start of washing cycle by closing the hood
- Upper and lower rotating wash/rinse arms with stainless steel tube
- Wash pump: 750 W
- Boiler capacity: 8 lt
- Tank capacity: 30 lt
- Boiler heating elements: 6,0 kW
- Tank heating elements: 2.8 kW
- Water quantity per cycle: 2.5 lt
- Electronic control panel
- Display for boiler and tank water temperatures
- Useful washing height: 420 mm
- Magnetic hood microswitch
- Automatic filling of water
- Rinse-aid dispenser
- Hot rinse
- Thermostop-controlled rinse operating temperature
- Break Tank incorporated according to EN 1717
- Atmospheric boiler
- Rinse booster pump
- Anti-Backflow system on the hydraulic circuit included
- Vertical self-cleaning washing pump
- Self-cleaning cycle at the end of working day

**WATER FILTRATION**

- Pre-filtering of tank water by means of no. 1 stainless steel filters
- Single wash pump filter, easily removable

**BODY**

- AISI 304 stainless steel body
- Preformed wash tank with rounded corners
- Single skin hood
- Hood opening system with springs
- Removable upper and lower wash/rinse arms for easy cleaning
- Boiler in AISI 304 stainless steel

**EQUIPMENT**

- 2 racks 50x50 cm, 12/18 plates
- 1 glass rack 50x50 cm
- 2 cutlery baskets
- 1 inlet hose (1,5 m length)
- 1 drain hose (2 m length)

**Extra's**

- **Detergent pump**
- **Internal water softener**

**INSTALLATION**

- Use the screws of the feet and a spirit level to ensure that the machine is levelled

**MAIN POWER SUPPLY**

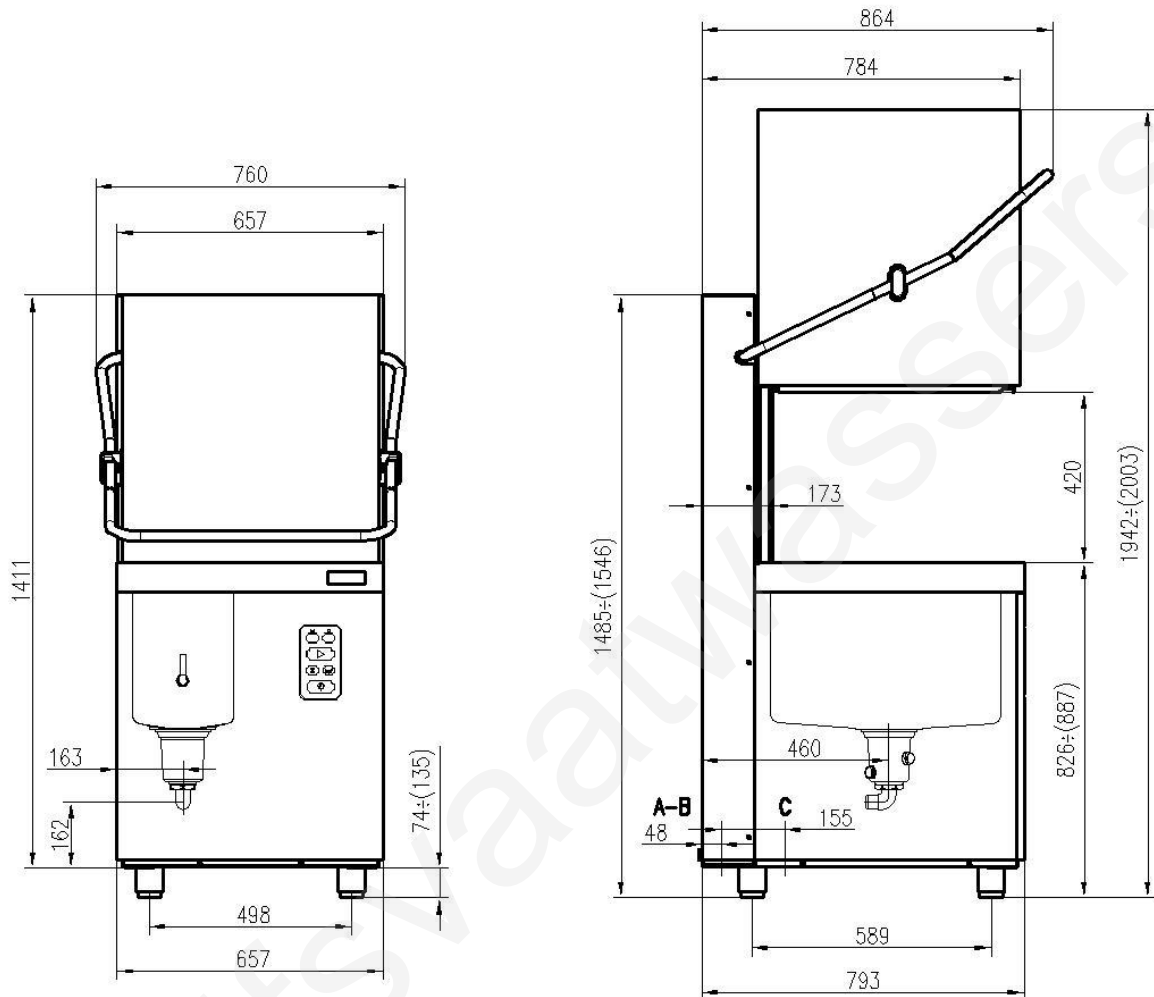
- The voltage of main power supply must be compatible with the rated voltage
- The machine must be connected to a suitable earth (ground) system
- Connect the machine power socket to the multi-pole wall switch provided

**WATER SUPPLY CONNECTION**

- A water softener must be installed if the water is hard
- The water pressure must be between 0.2MPa (2 bar), and, 0.5MPa (5 bar)
- The temperature of the water-supply must be between 10°C to 50°C

**TECHNICAL SPECIFICATIONS**

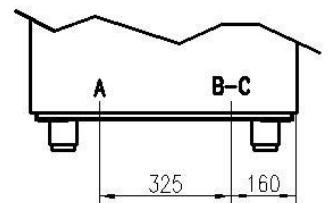
- Voltage: **400V3N-50 Hz**
- Total power : **6,75 kW**
- Amperage: **16 A**
- Power cord supply size :**5x2,5 mmq**



A: USCITA CAVO DI ALIMENTAZIONE  
OUVERTURE DE PASSAGE CABLE D'ALIMENTATION  
EXIT POWER CORD SUPPLY

B: TUBO DI SCARICO  $\phi$  INT. mm.28 LUNGHEZZA mm.2000  
OUVERTURE DE PASSAGE TUYAU DE VIDANGE  $\phi$  INT. 28 mm. L=mm.2000.  
EXIT WATER OUTLET PIPE INT.  $\phi$  28 mm. L=mm.2000.

C: CANNA DI CARICO CON ATTACCO G 3/4" LUNGHEZZA mm.1500.  
OUVERTURE DE PASSAGE TUYAU D'ALIMENTATION EAU AVEC CONNEXION G 3/4" L=mm 1500.  
WATER INLET PIPE CONNECTION G 3/4" L=mm 1500.



VISTA POSTERIORE  
VUE ARRIERE  
REAR OF MACHINE